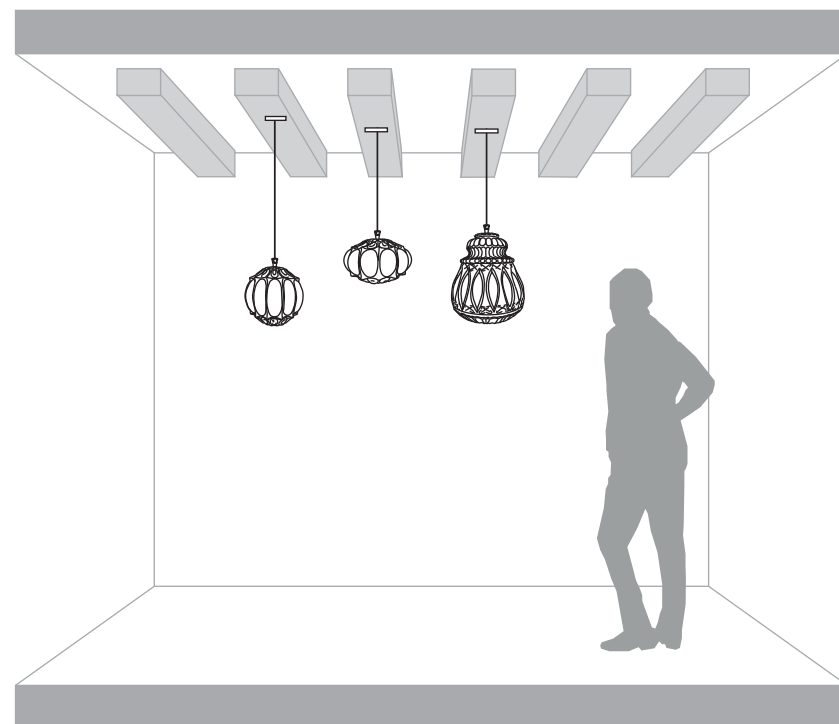


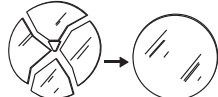

# GINGER



SE116 1A EXT SE116 2A EXT SE116 3A EXT  
SE116 1F EXT SE116 2F EXT SE116 3F EXT  
SE116 4A EXT SE116 5A EXT SE116 6A EXT  
SE116 4F EXT SE116 5F EXT SE116 6F EXT

220-240 V.  
max 1x52W - E27



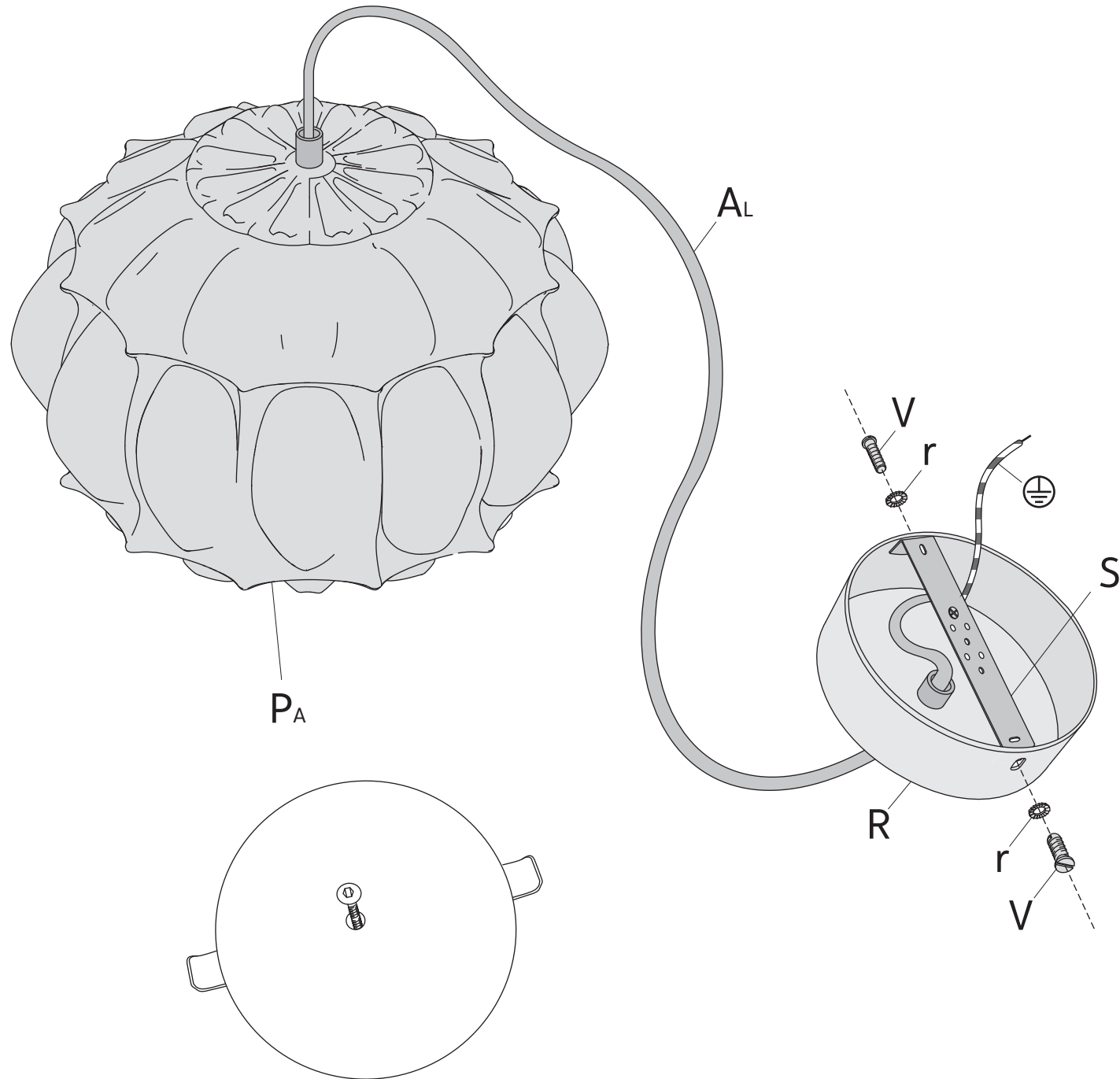
IP44  

Karman srl

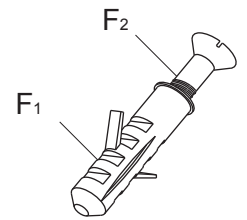
Via A. Grandi, San Martino del piano, 61034 Fossombrone (PU), Italy - p.iva 02175640412 tel +39 0721 71 5042 r.a fax +39 0721 716640 - [www.karmanitalia.it](http://www.karmanitalia.it)



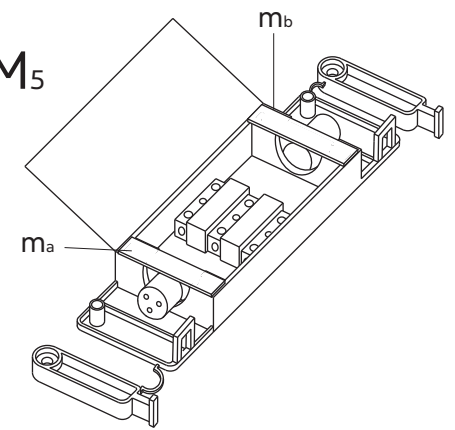
# C - 01



2x F



1x M5



1x Br

