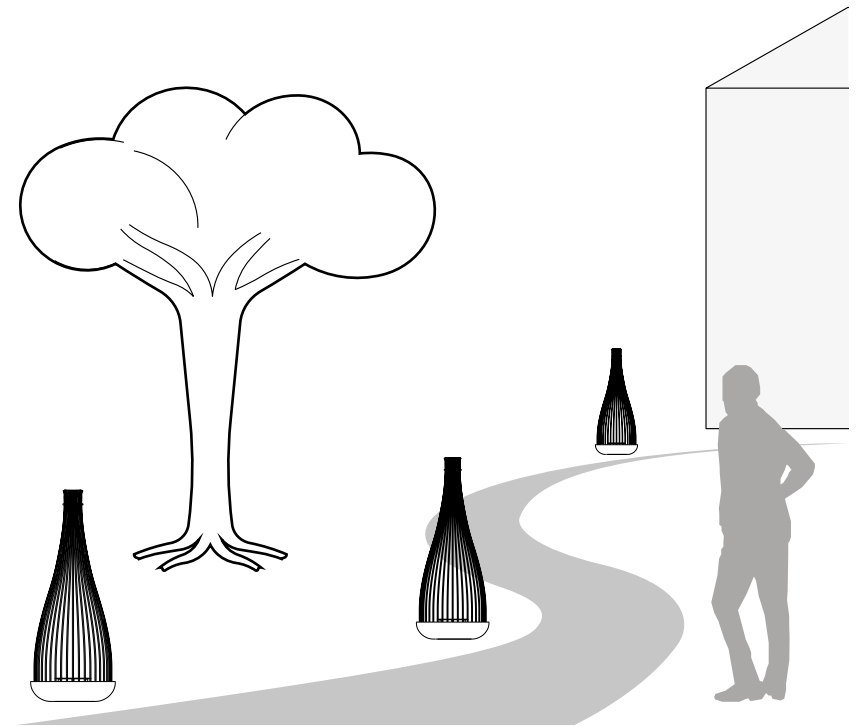


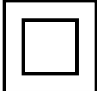

# DON'T TOUCH



**HP153 AB EXT (3000K)**  
**HP153 BB EXT (2700K)**

**220-240V**  
**LED 1x29W, 2600lumen**  
**3000K/2700K CRI ≥80**



**IP67**   **CE**

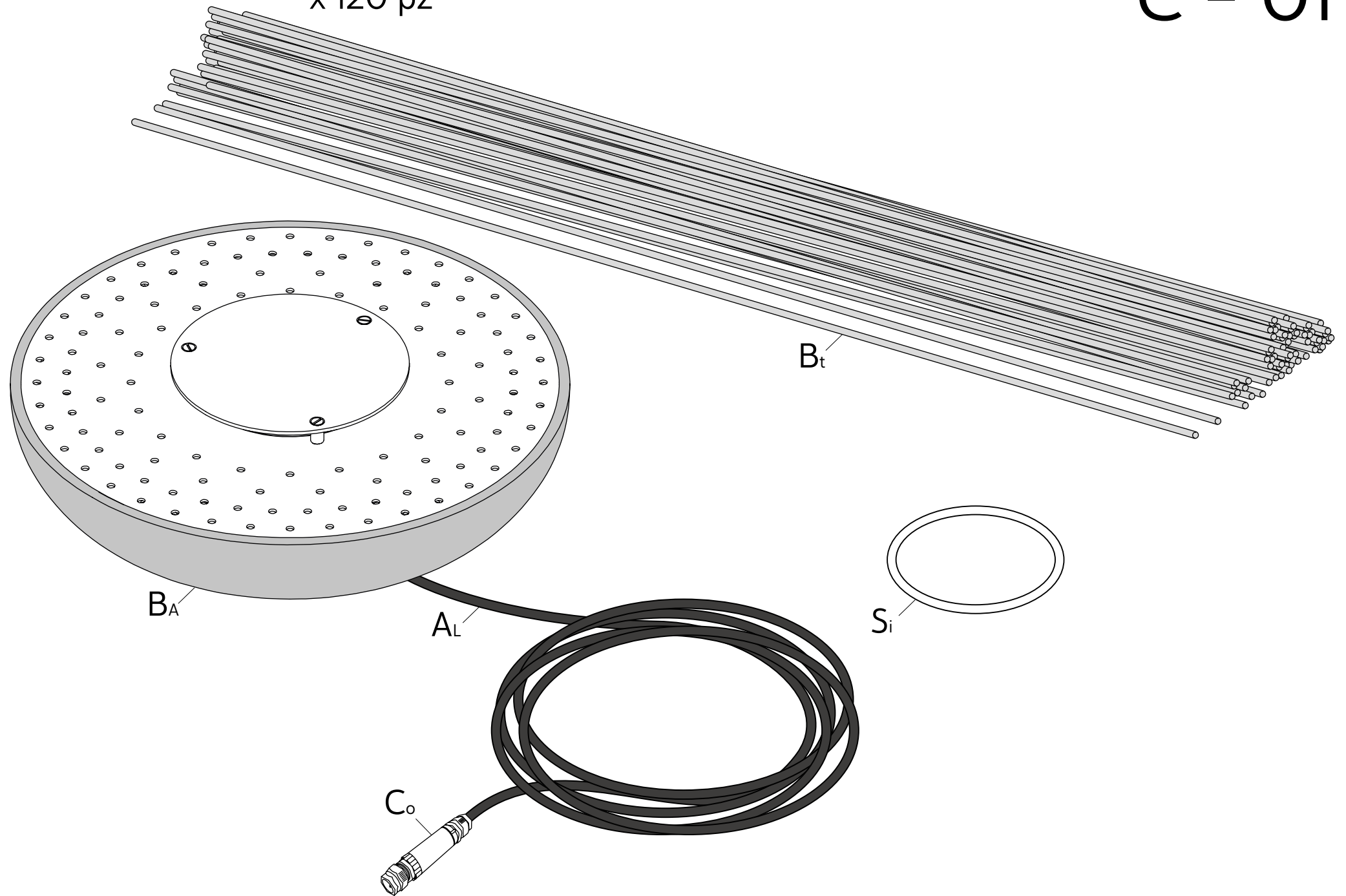
Karman srl

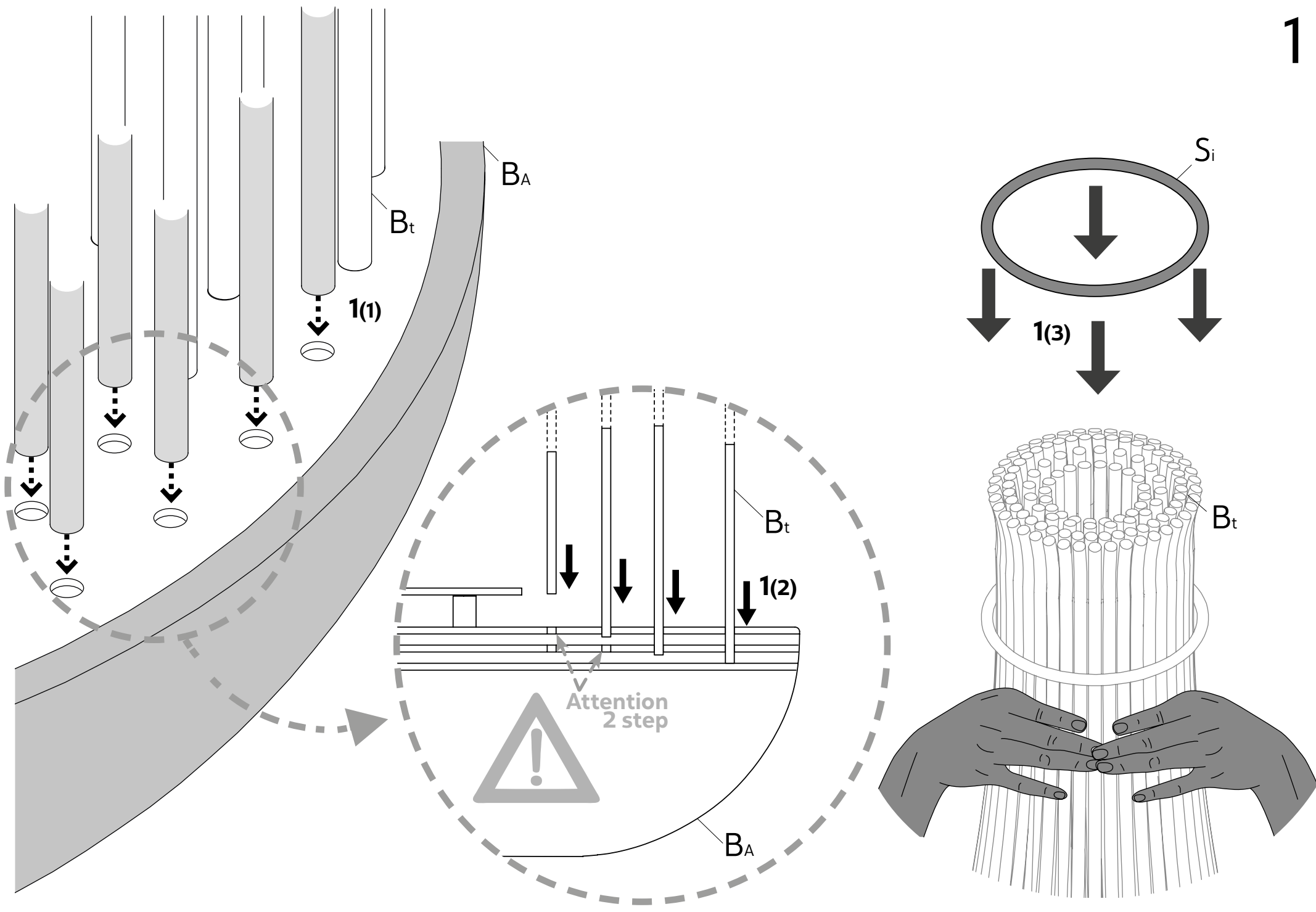
Via A. Grandi, San Martino del piano, 61034 Fossombrone (PU), Italy - p.iva 02175640412 tel +39 0721 71 5042 r.a fax +39 0721 716640 - [www.karmanitalia.it](http://www.karmanitalia.it)

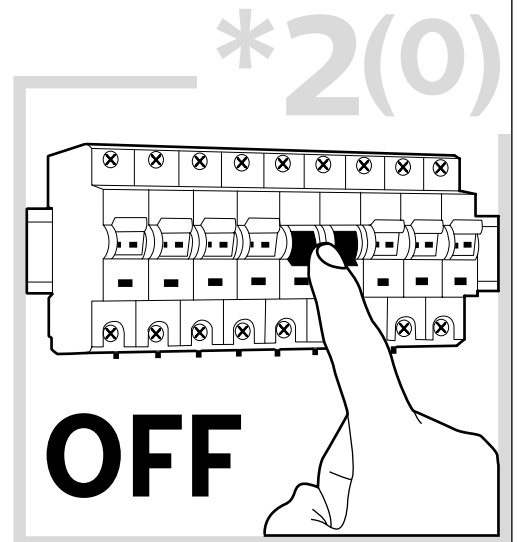
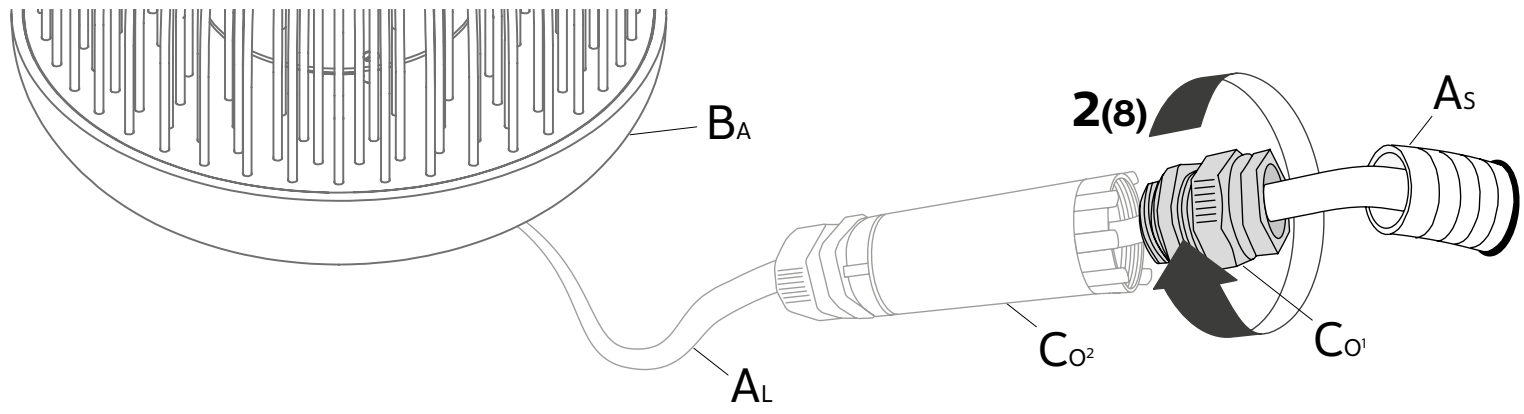
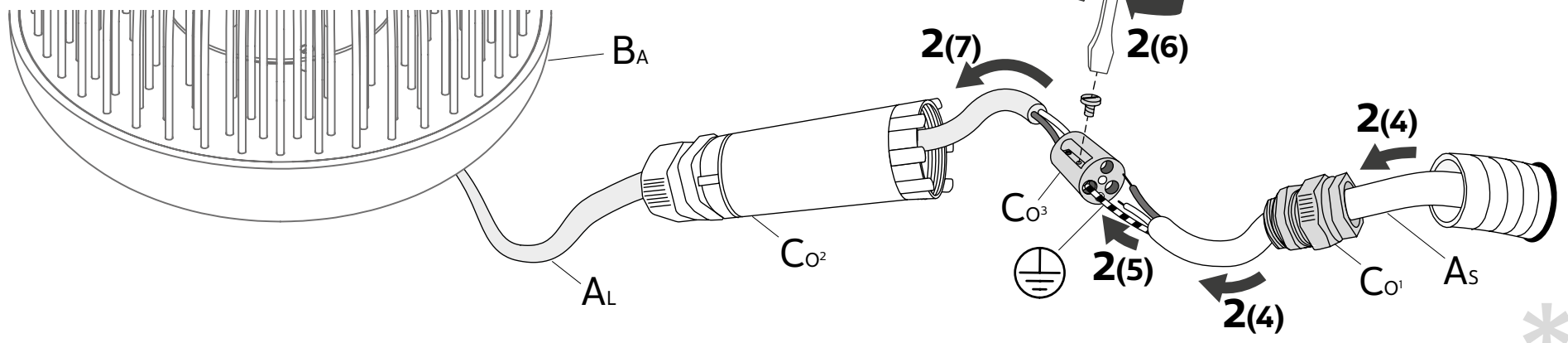
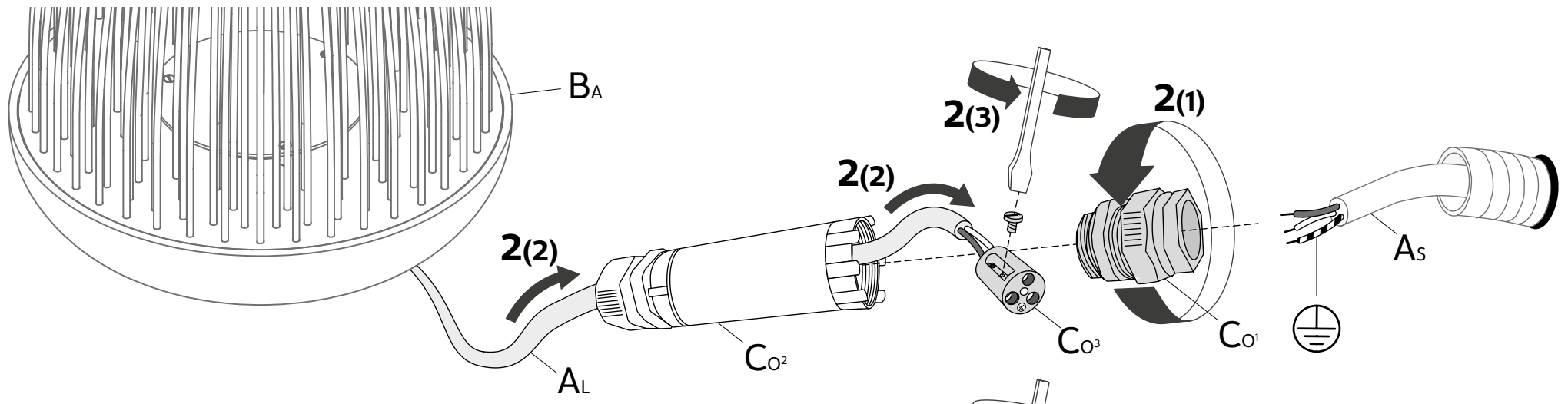


C - 01

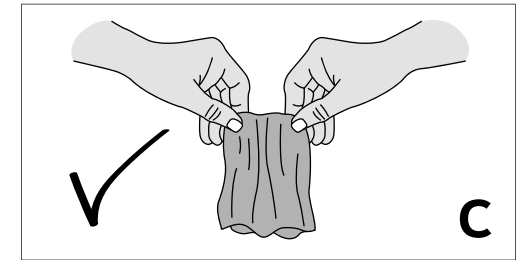
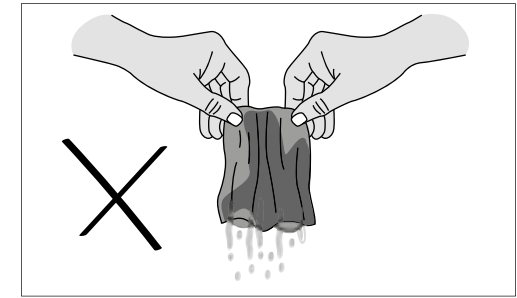
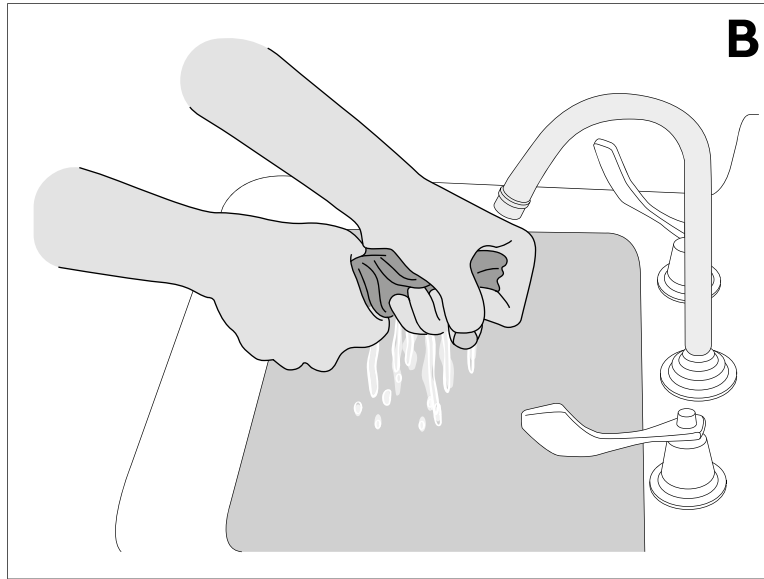
x 120 pz



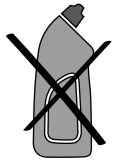








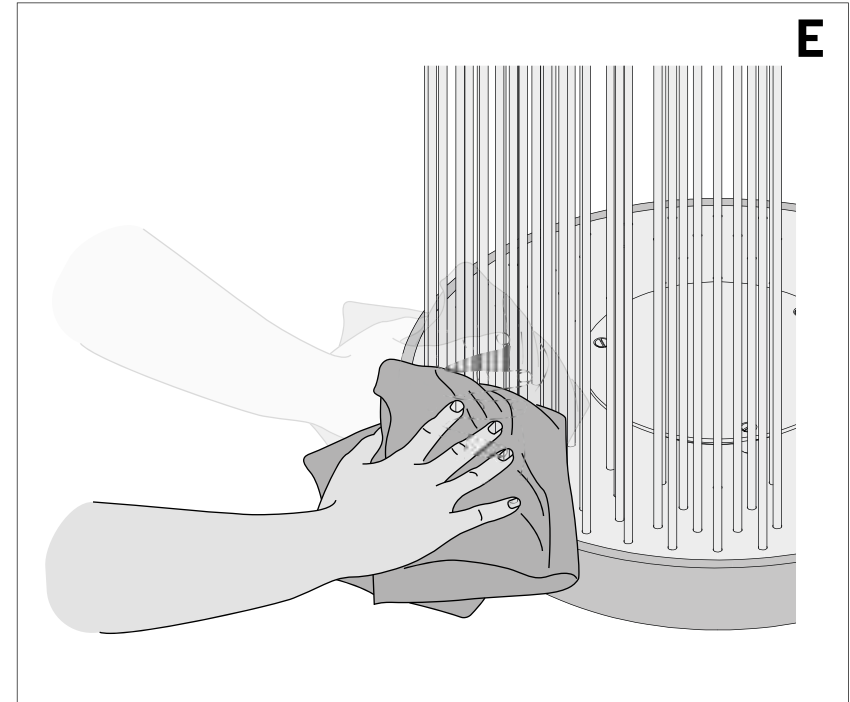
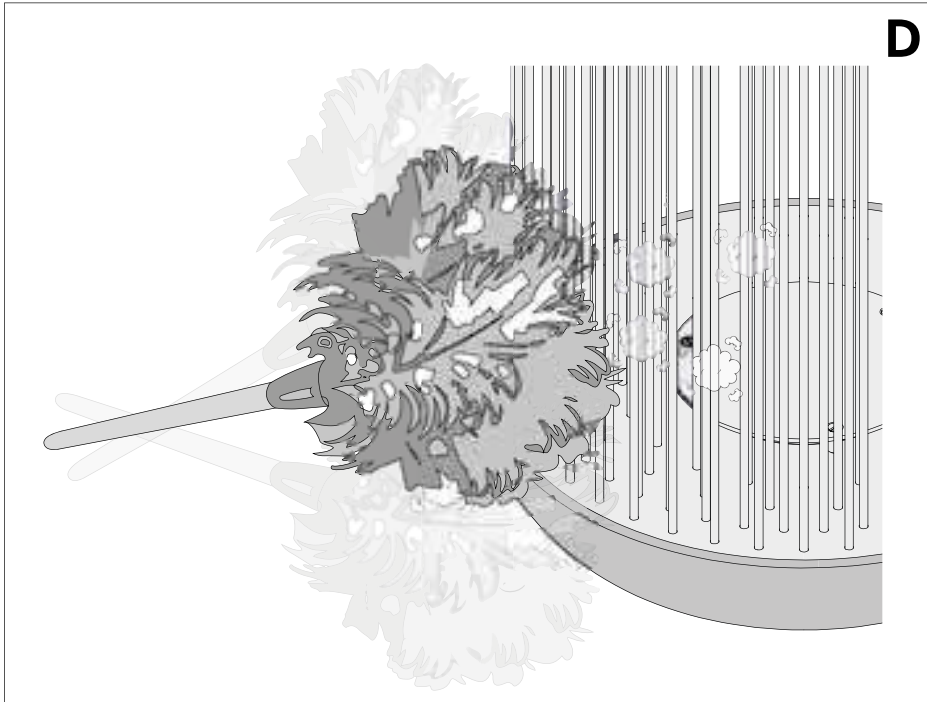
chemical agents



chemical agents



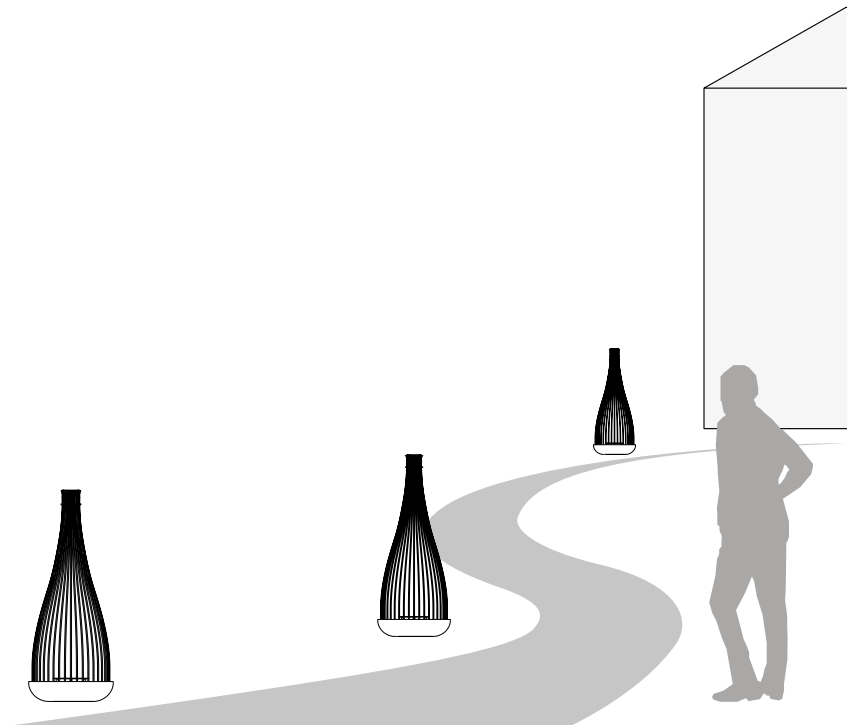
alcohol

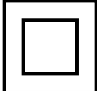



# DON'T TOUCH

**HP153 AB EXT (3000K)  
-AC153 AC EXT**

**220-240V  
LED 1x29W, 2600lumen  
3000K/2700K CRI ≥80**



**IP67**   **CE**

Karman srl

Via A. Grandi, San Martino del piano, 61034 Fossombrone (PU), Italy - p.iva 02175640412 tel +39 0721 71 5042 r.a fax +39 0721 716640 - [www.karmanitalia.it](http://www.karmanitalia.it)

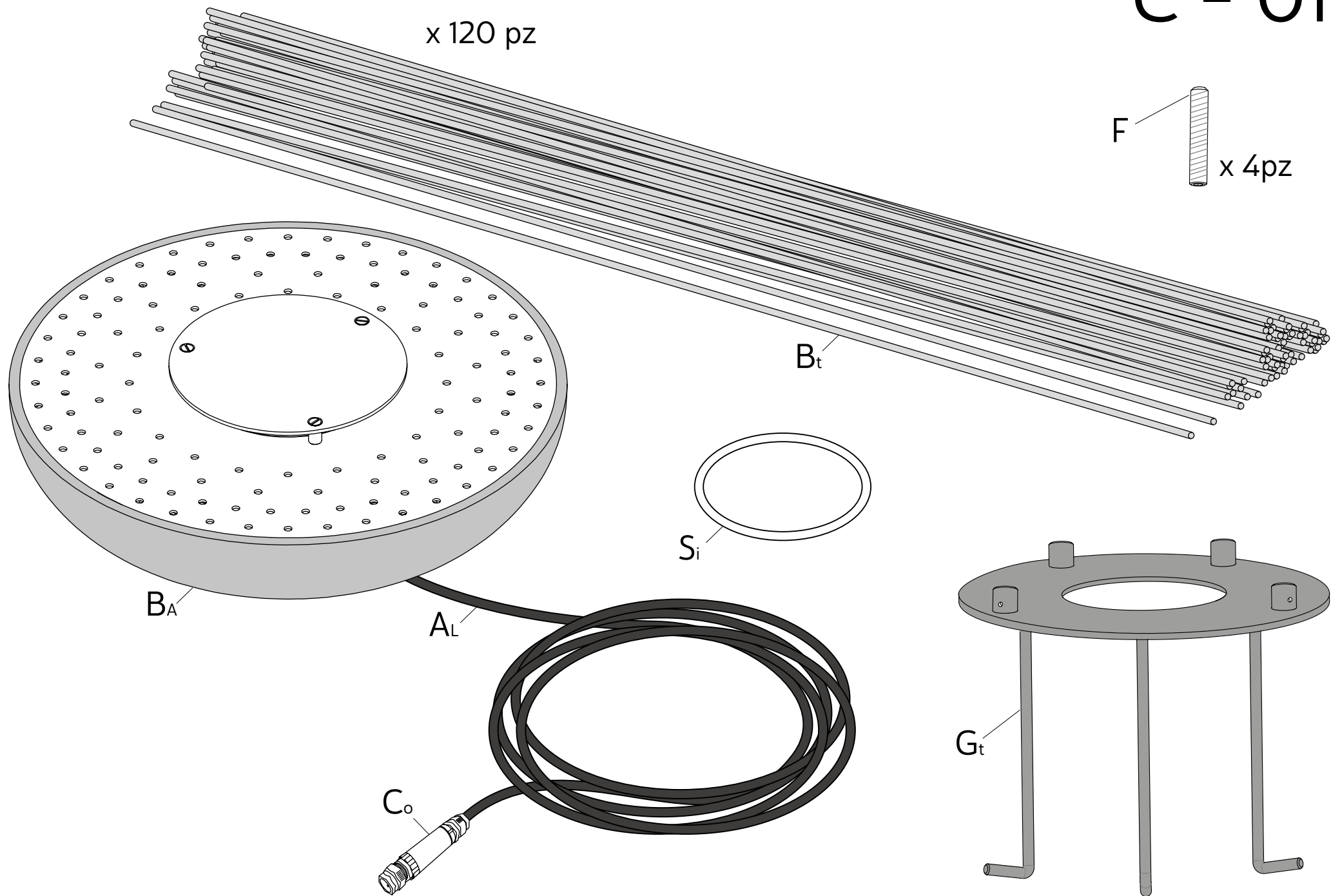


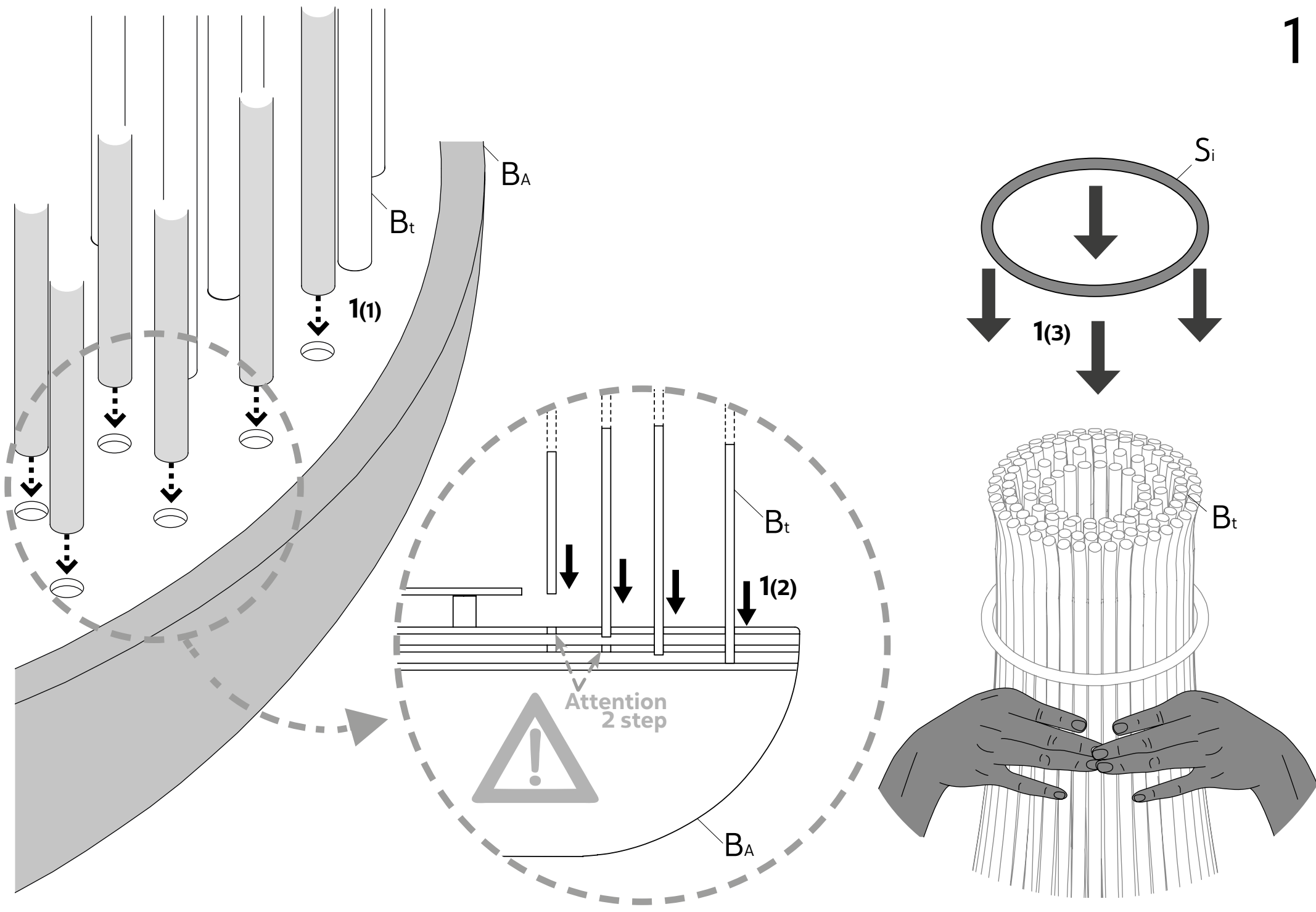


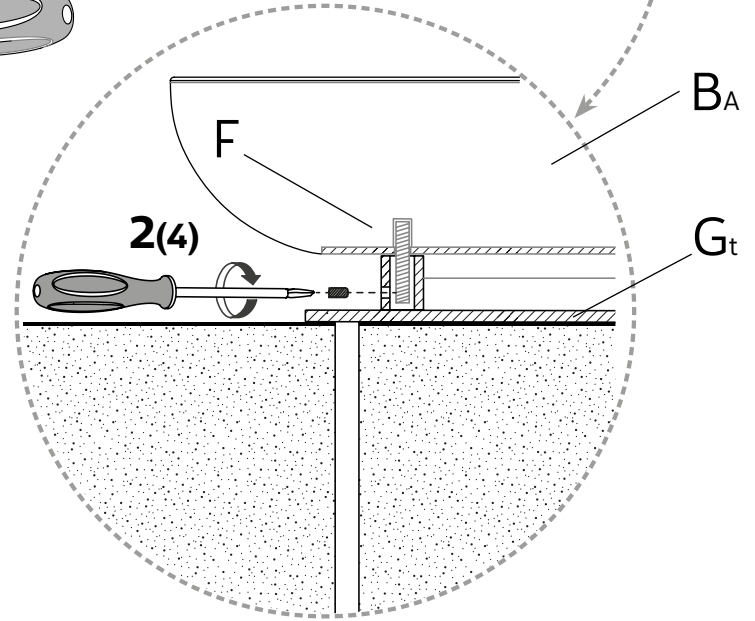
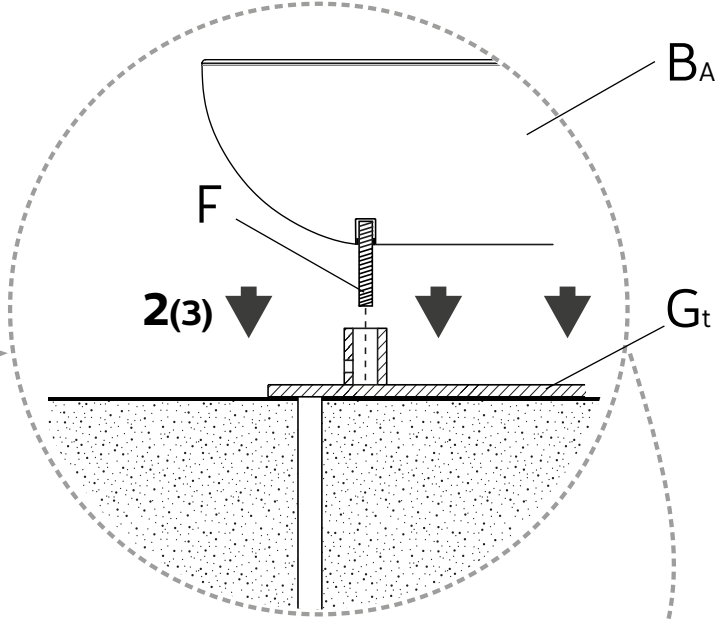
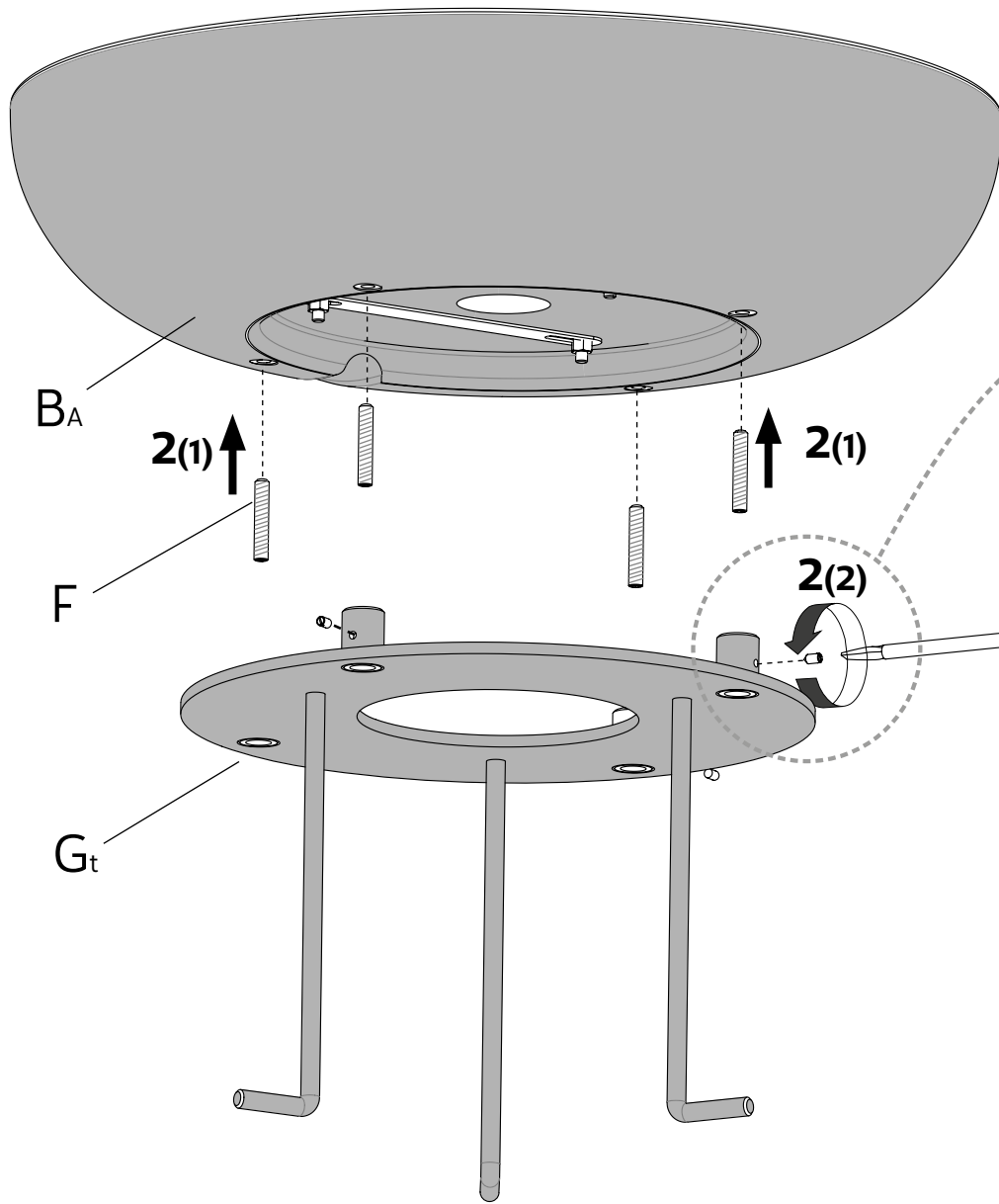
# C - 01

x 120 pz

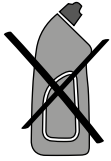
F x 4pz







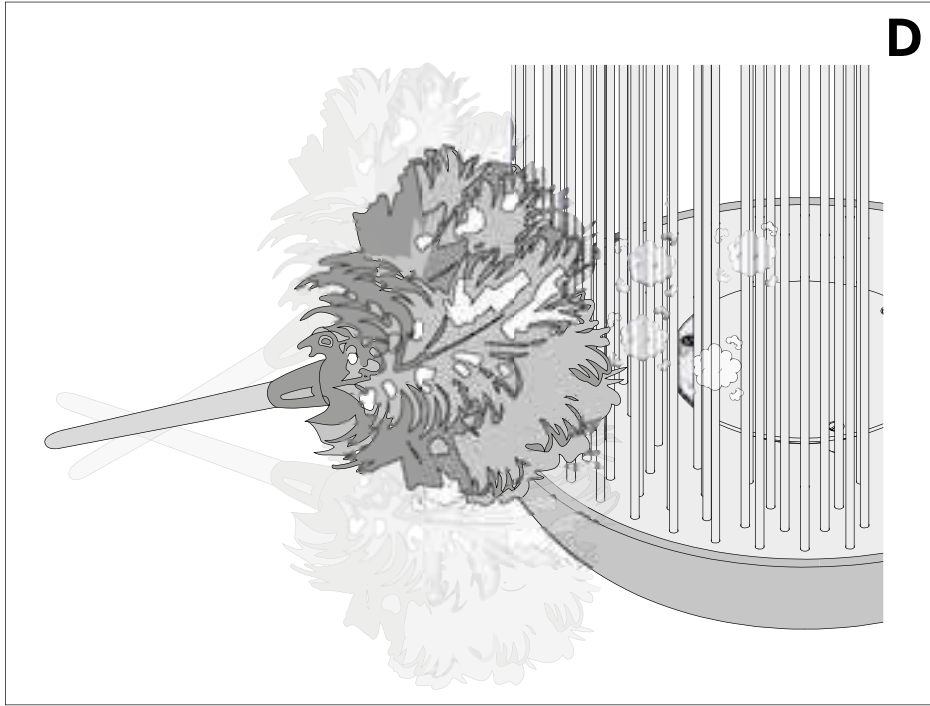
chemical agents



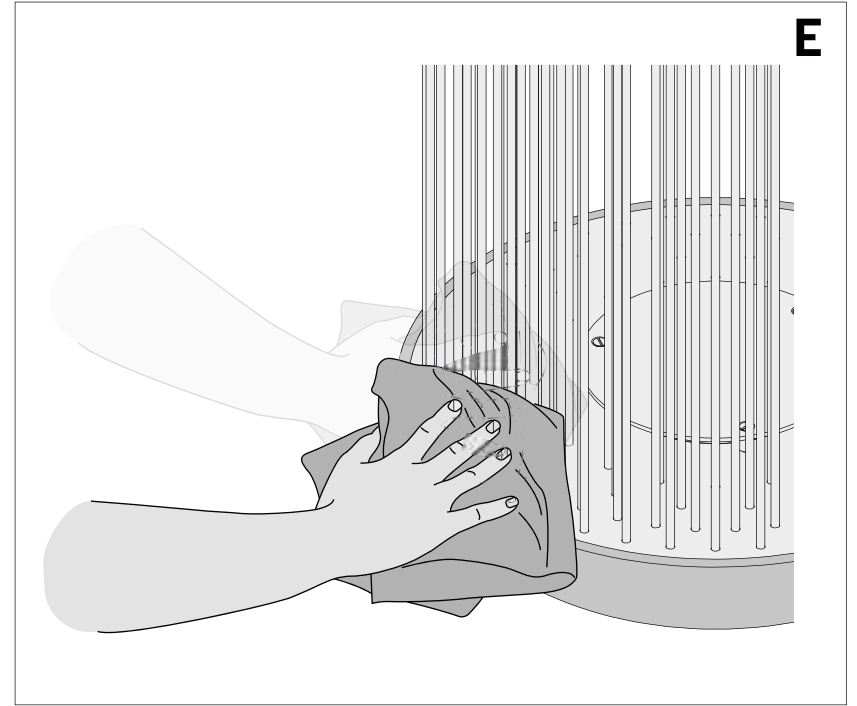
chemical agents



alcohol



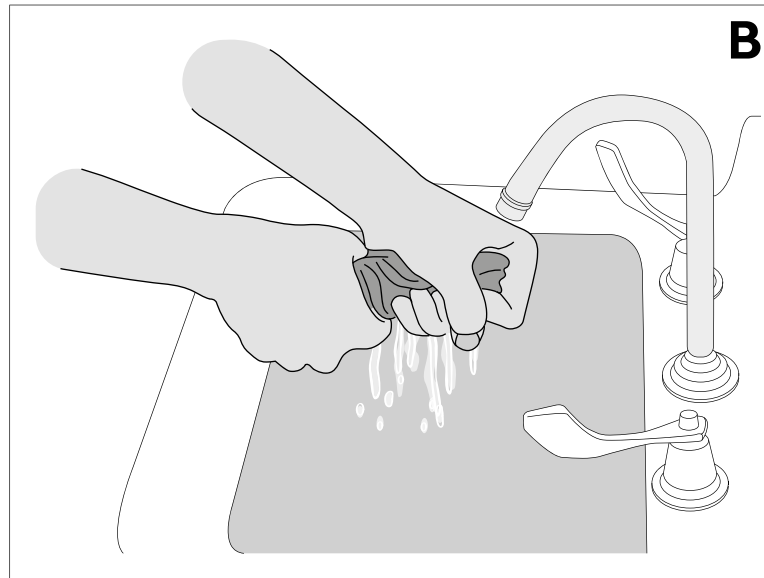
**D**



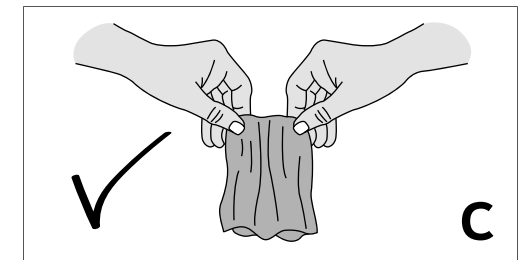
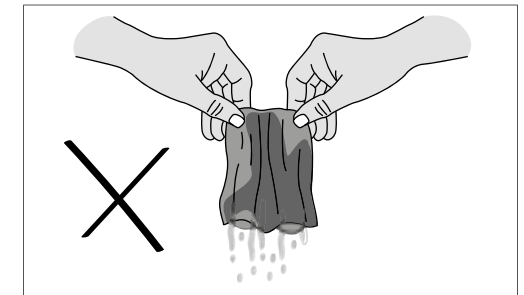
**E**



**A**



**B**



**C**