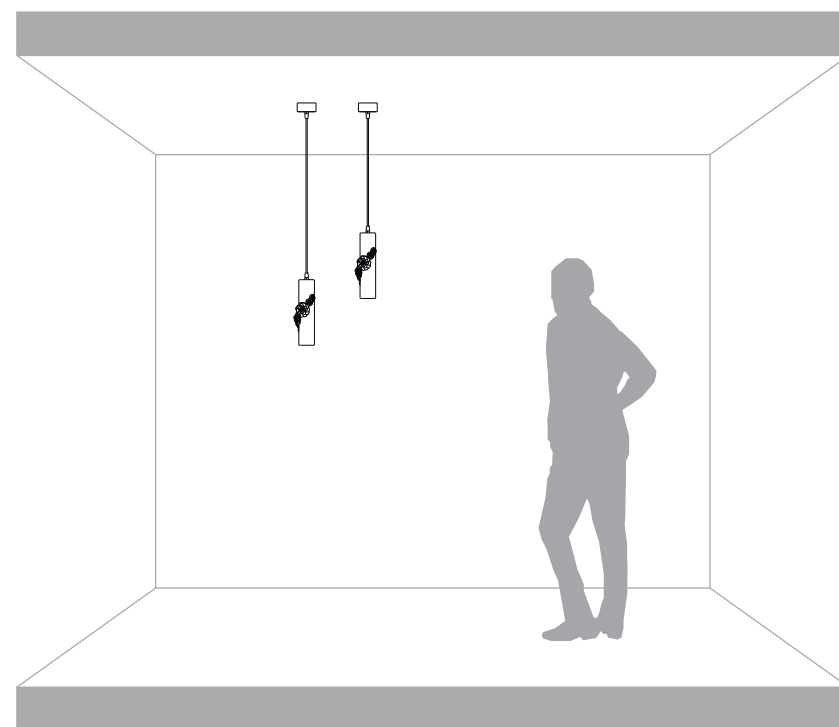


# CAPODIMONTE



SE129 1B INT

220-240 V.  
max 1x20W - GU10

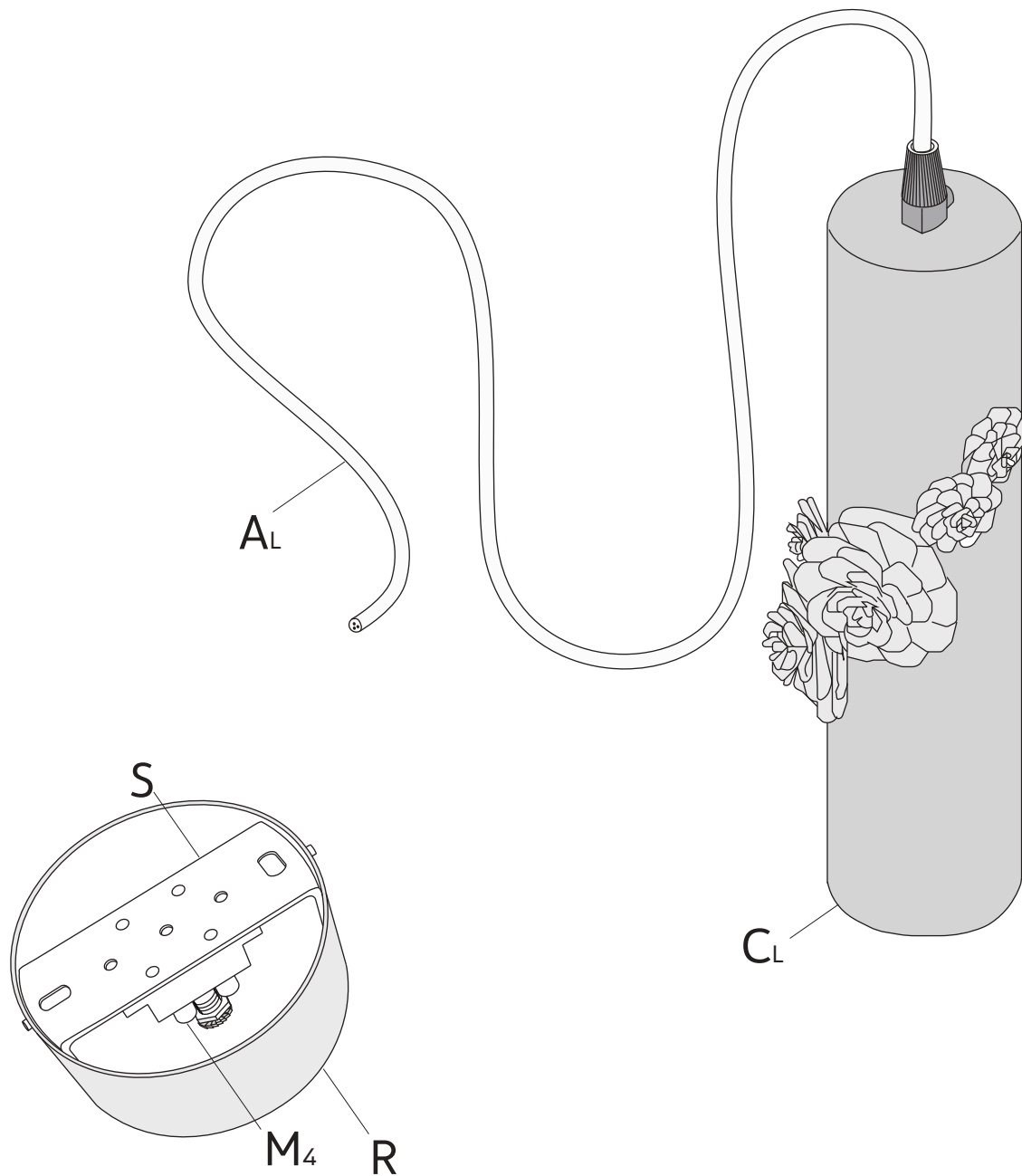


Karman srl

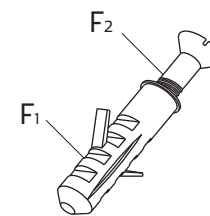
Via A. Grandi, San martino del piano, 61034 Fossombrone (PU), Italy - p.iva 02175640412 tel +39 0721 71 5042 r.a fax +39 0721 716640 - [www.karmanitalia.it](http://www.karmanitalia.it)



# C - 01

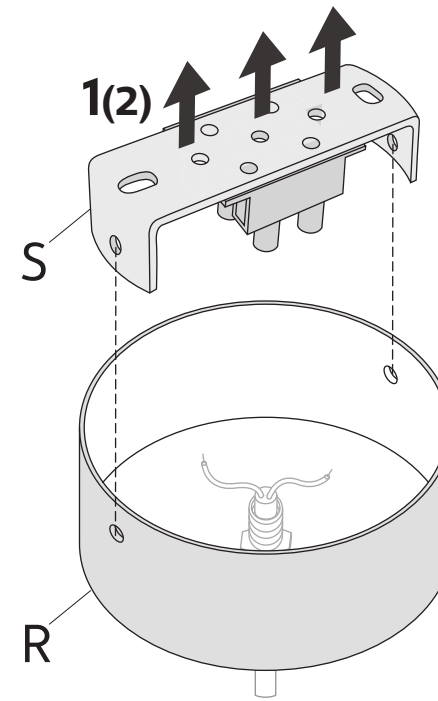
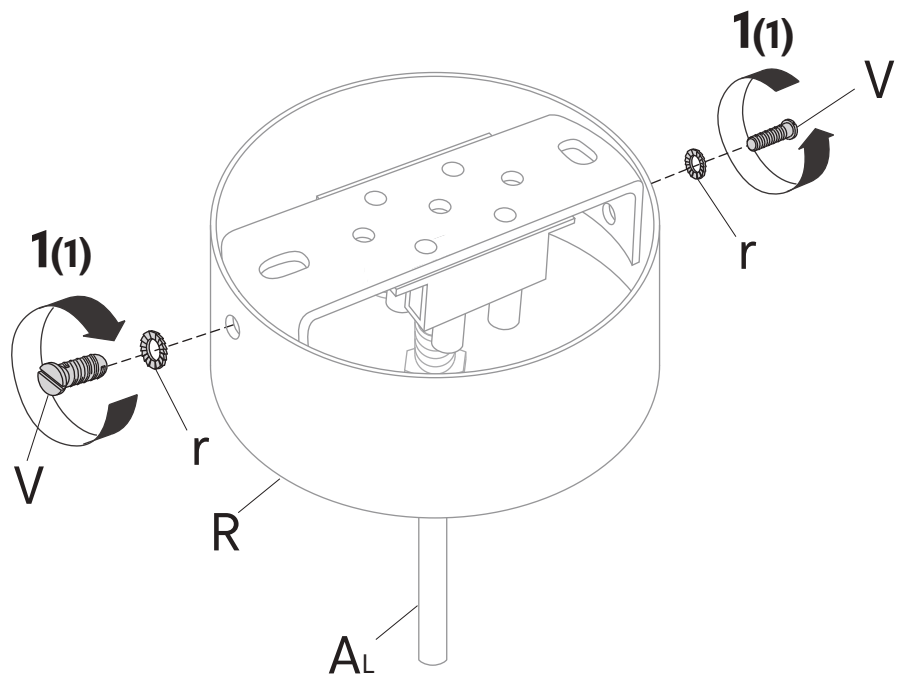


2X **F**

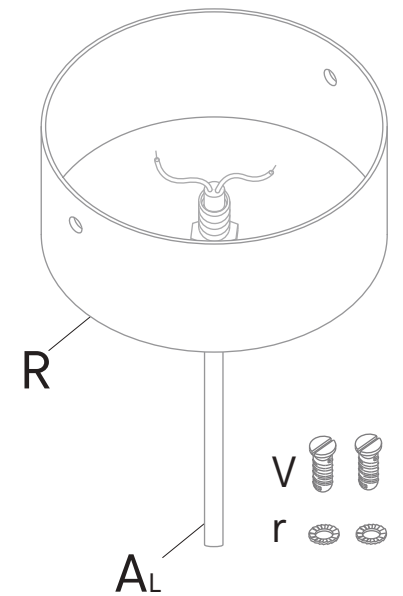
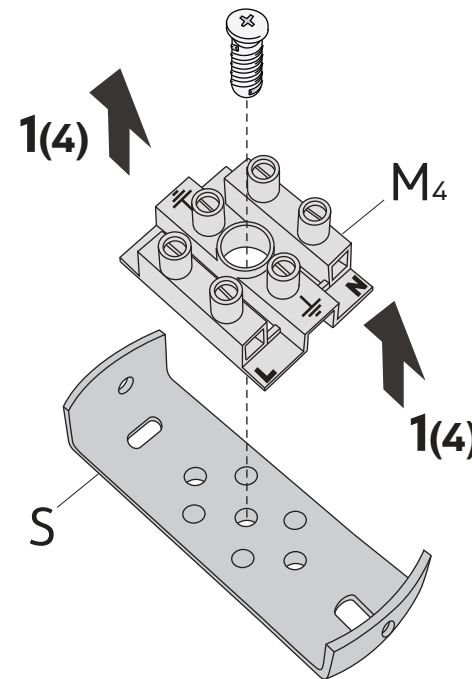
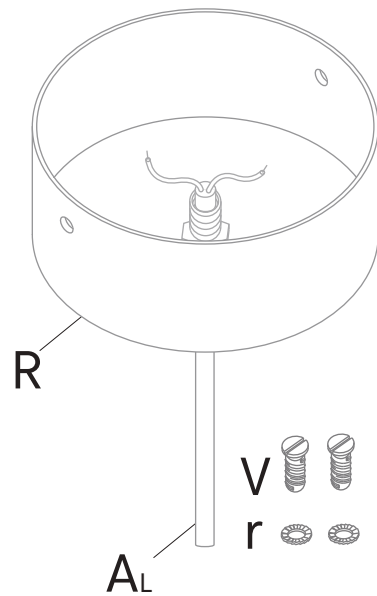
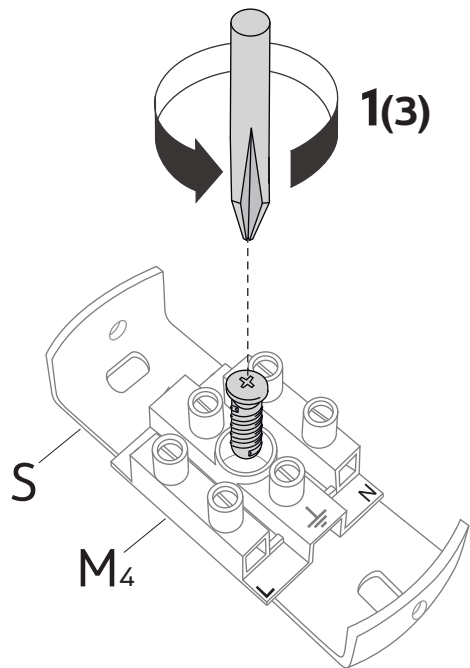


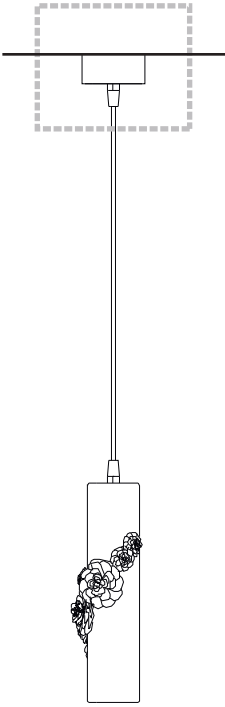
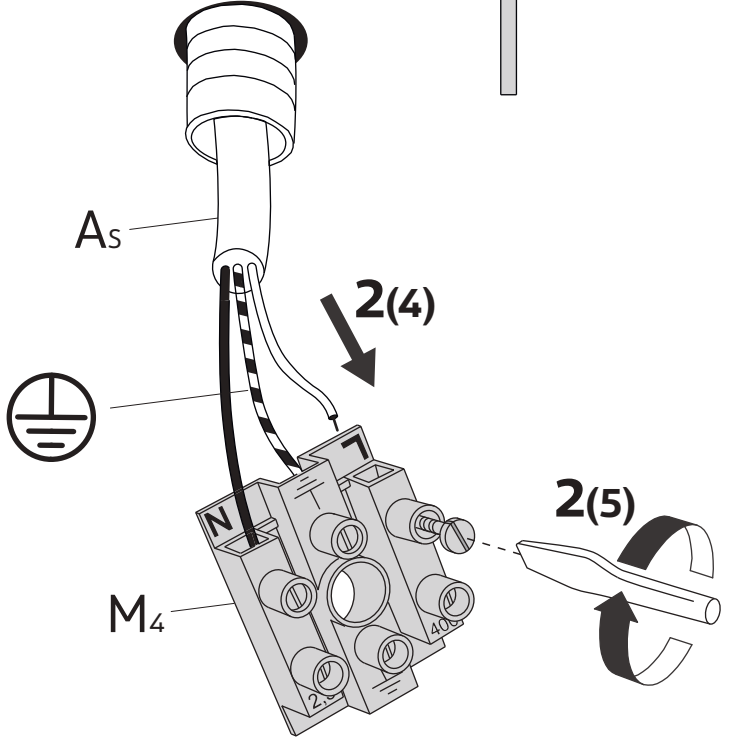
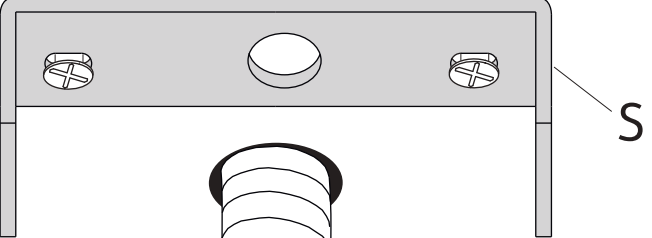
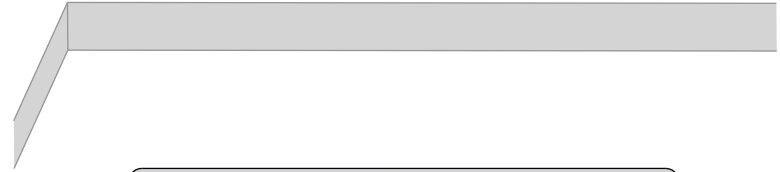
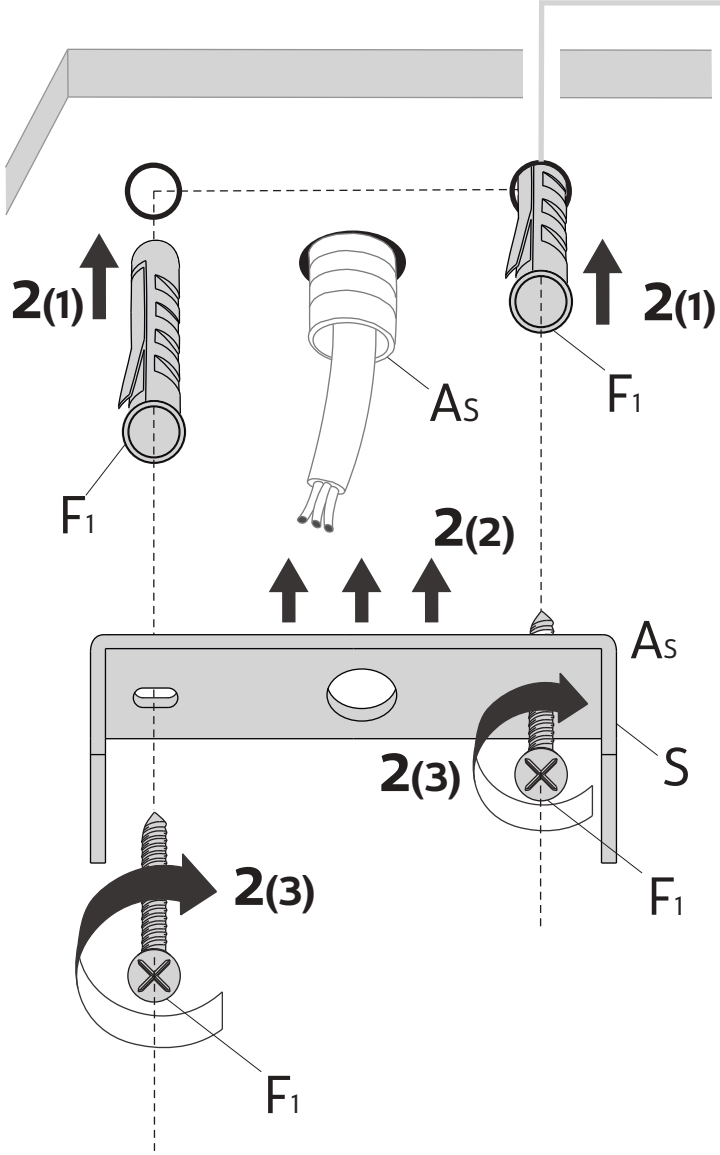
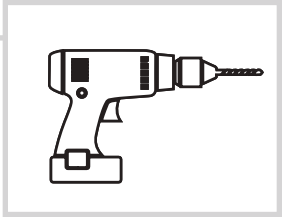
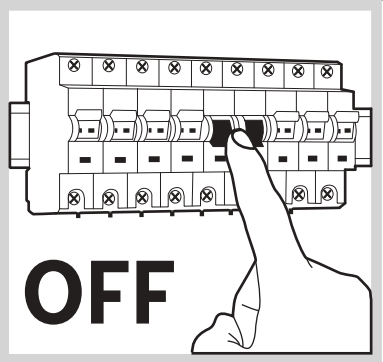
1X **L**

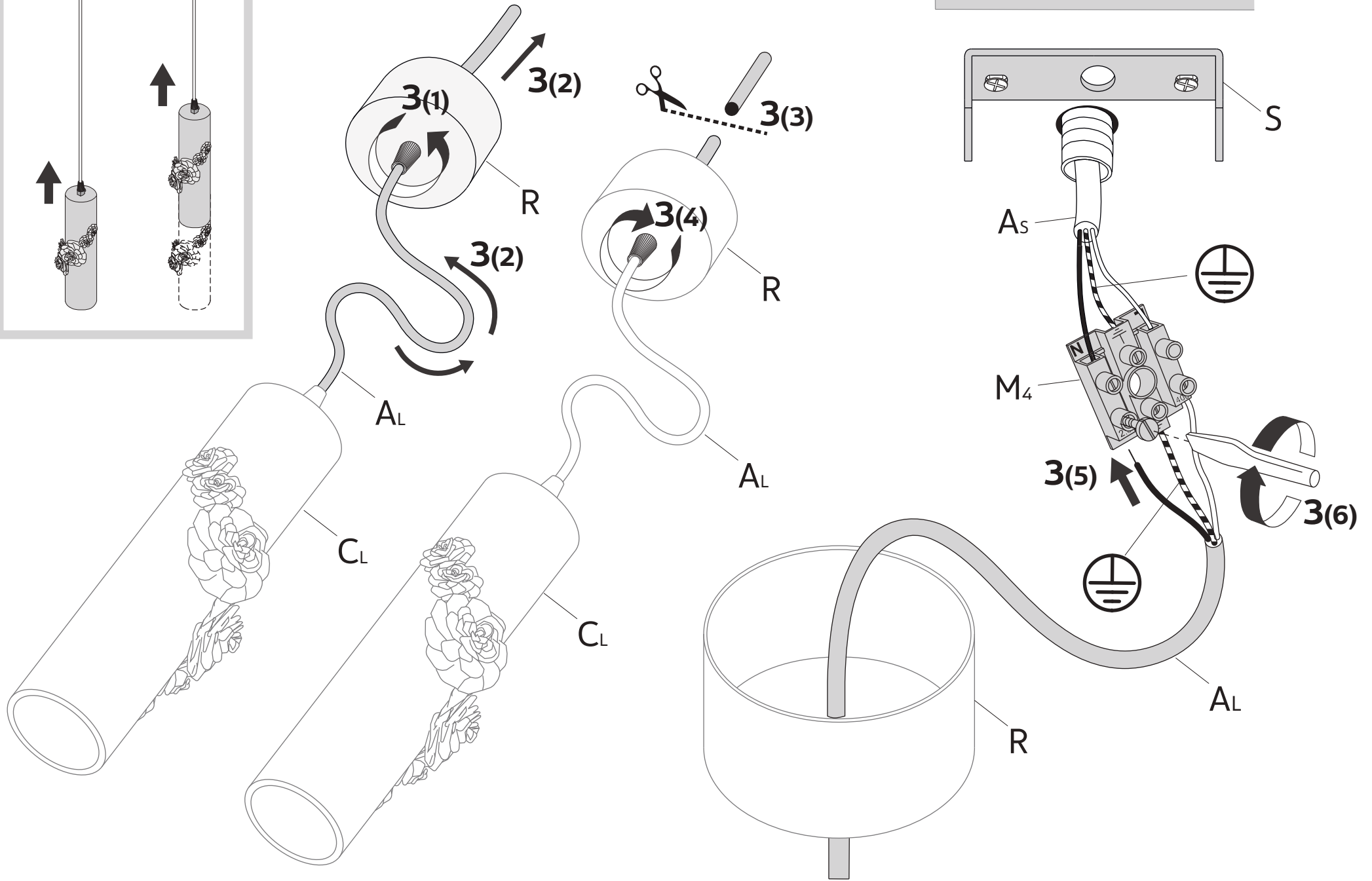
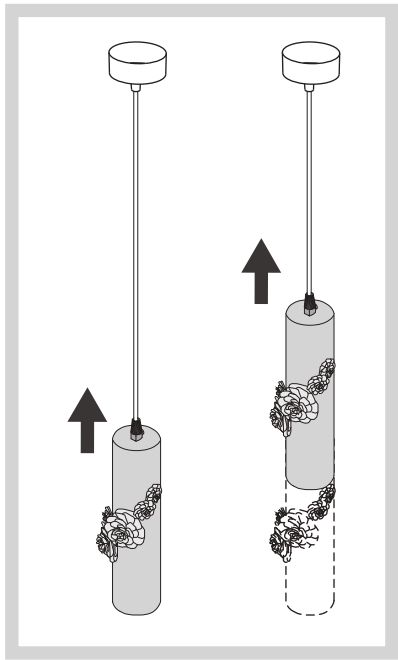


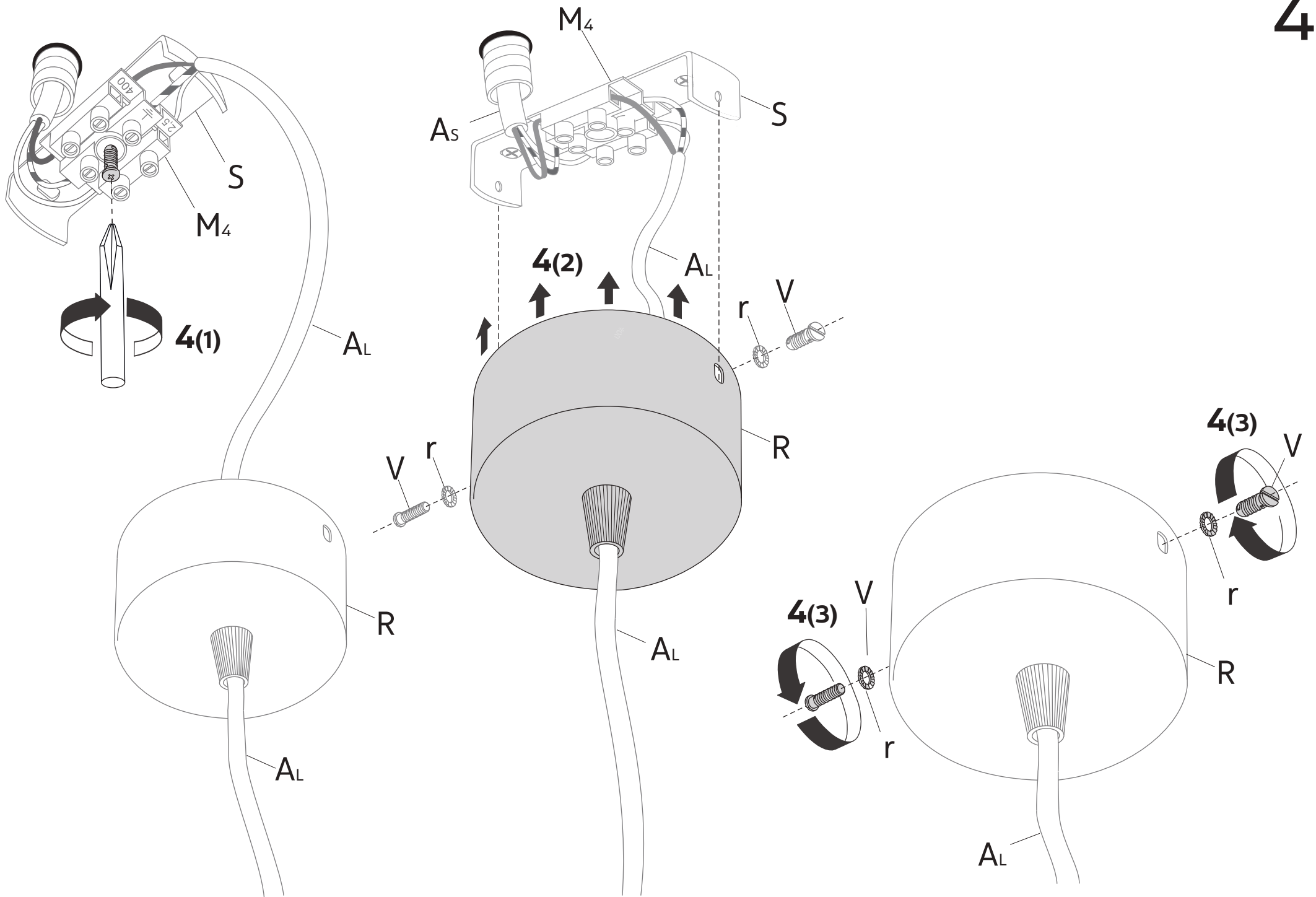


**1**









5

