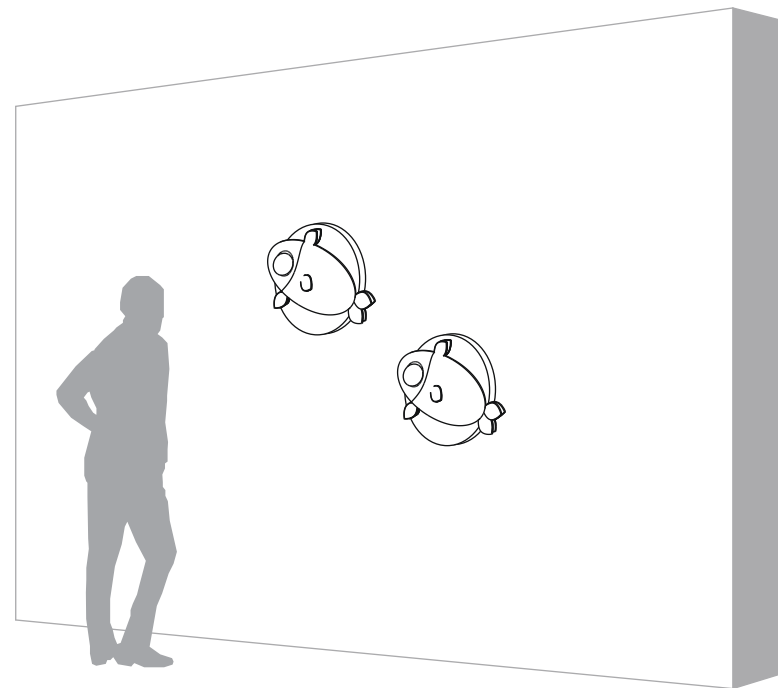


APRILE

AP132 1B INT

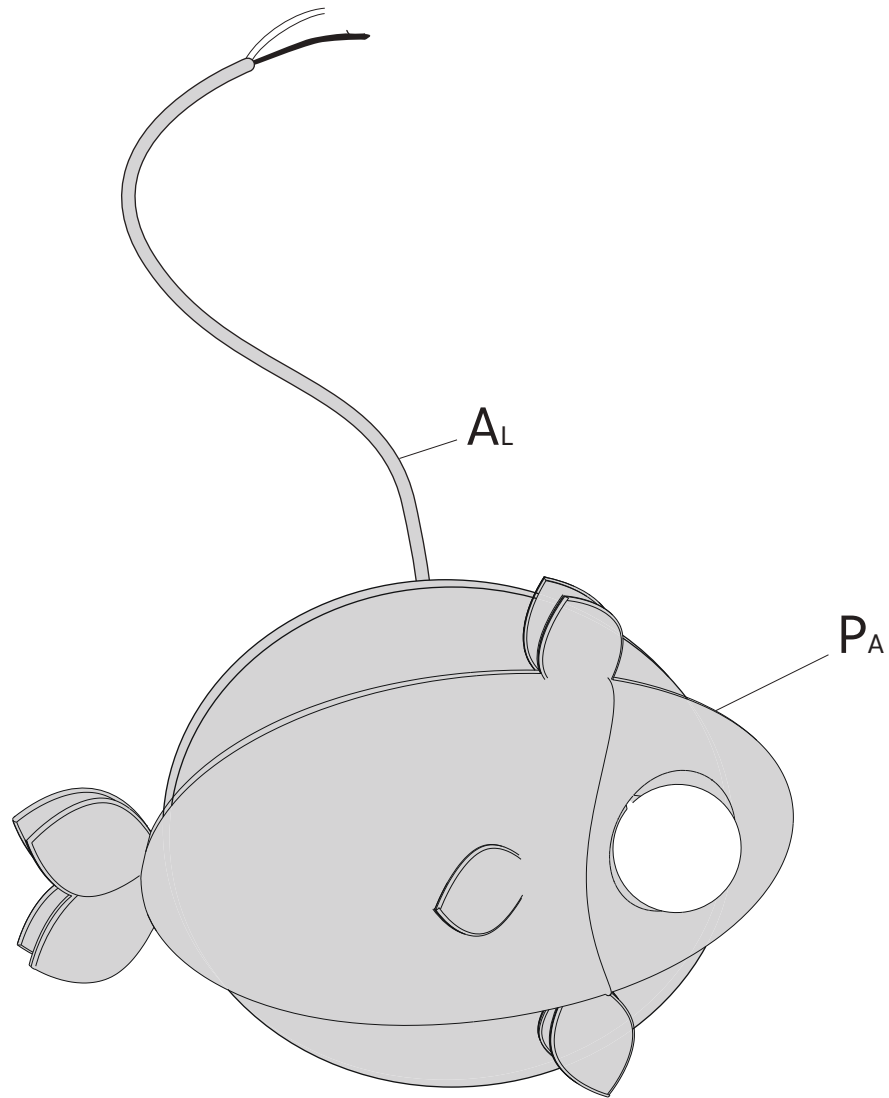
**220-240 V.
max 1x52W E27**



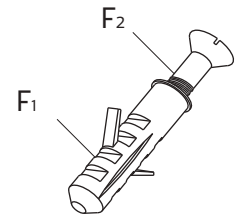
Karman srl

Via A. Grandi, San Martino del piano, 61034 Fossombrone (PU), Italy - p.iva 02175640412 tel +39 0721 71 5042 r.a fax +39 0721 716640 - www.karmanitalia.it

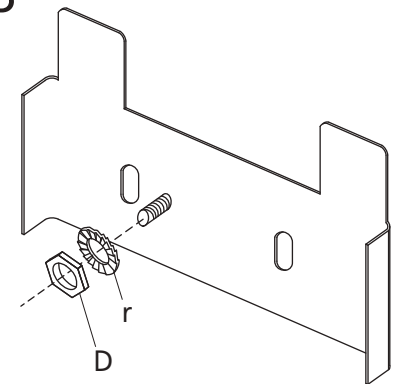
C - 01

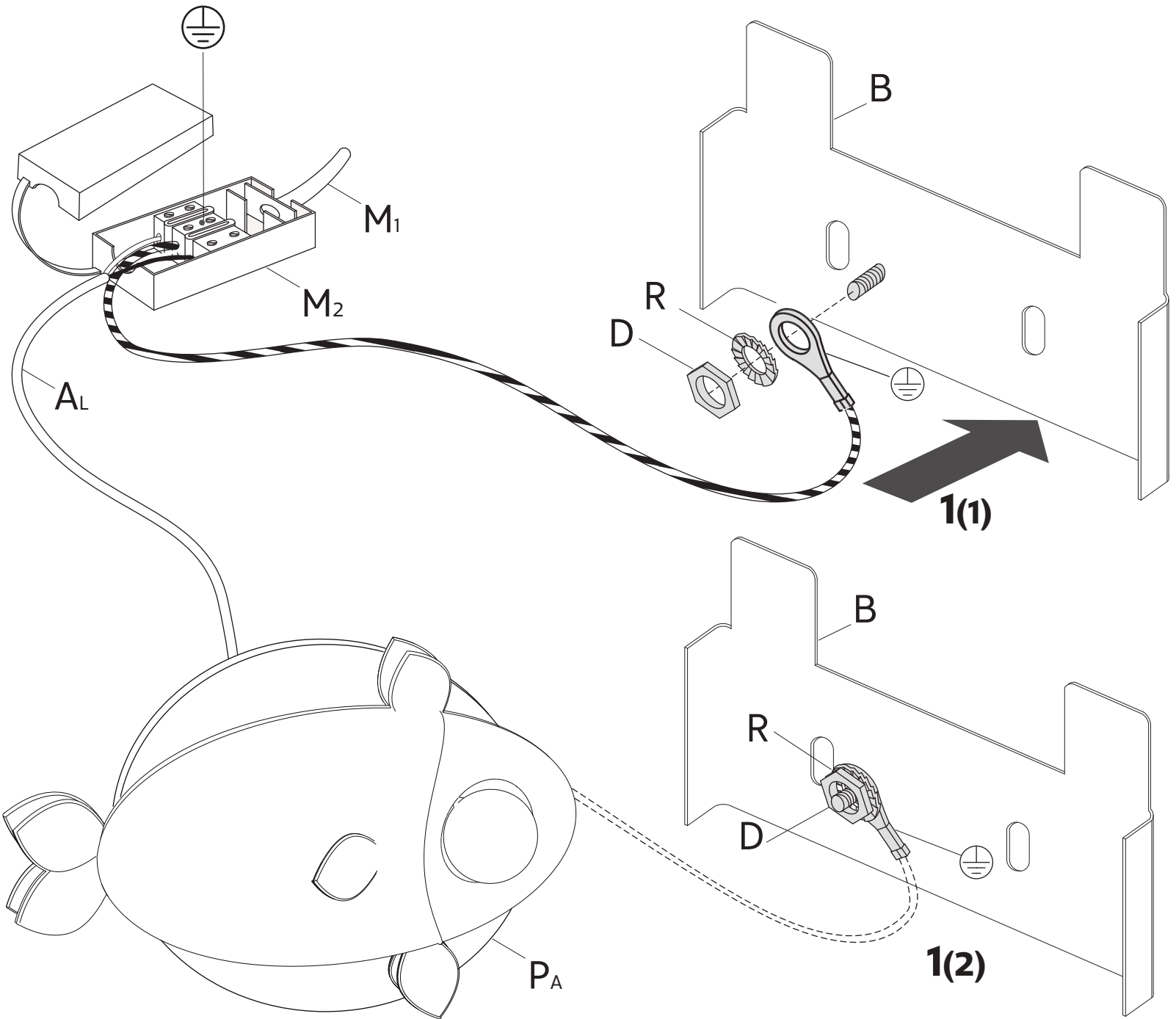
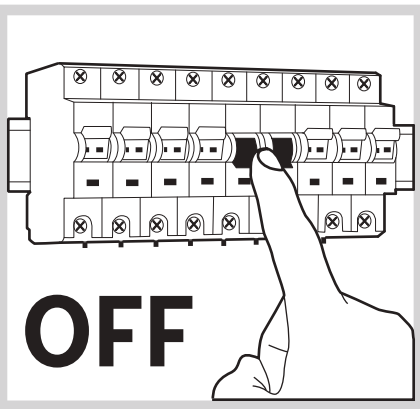


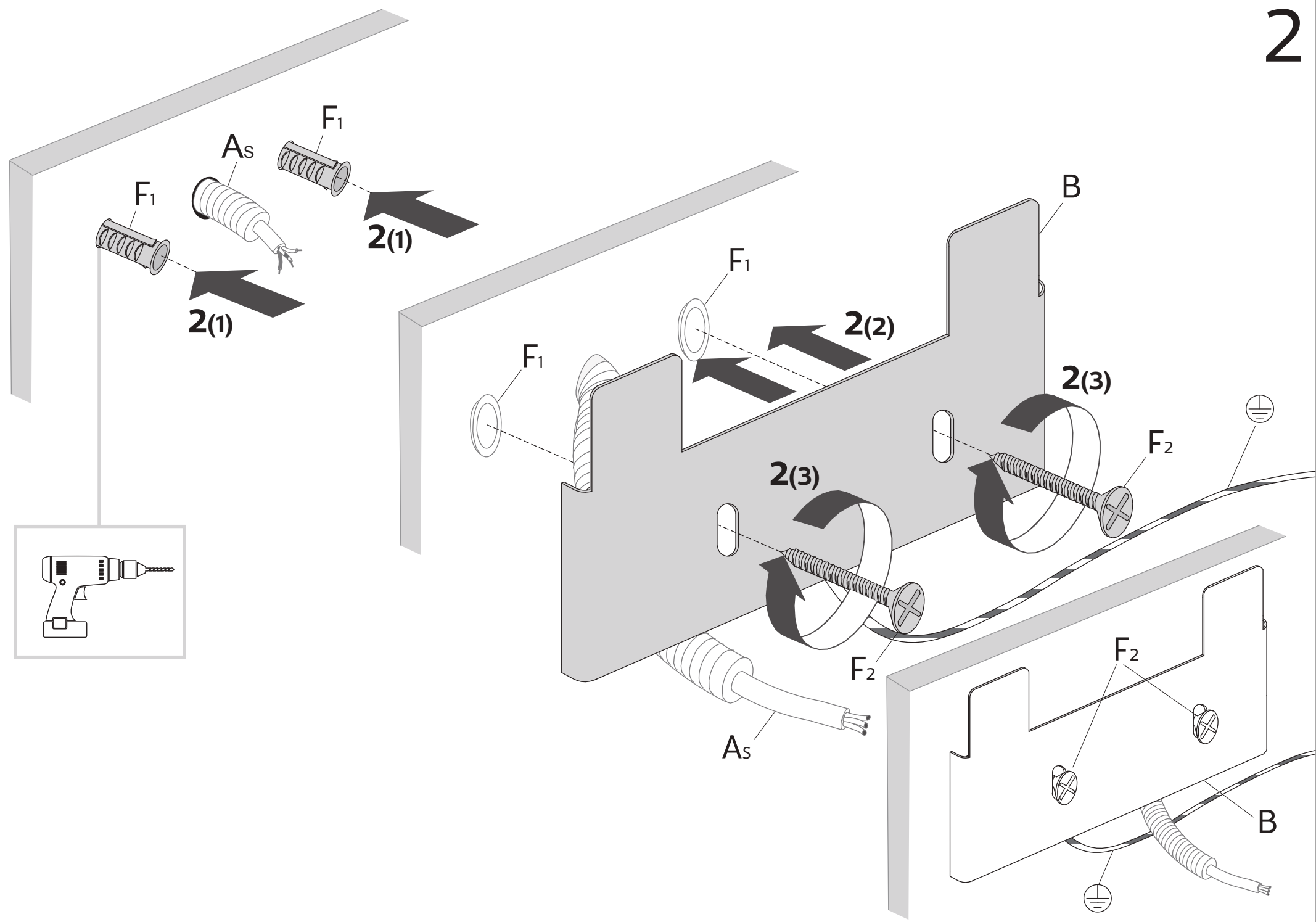
2x **F**

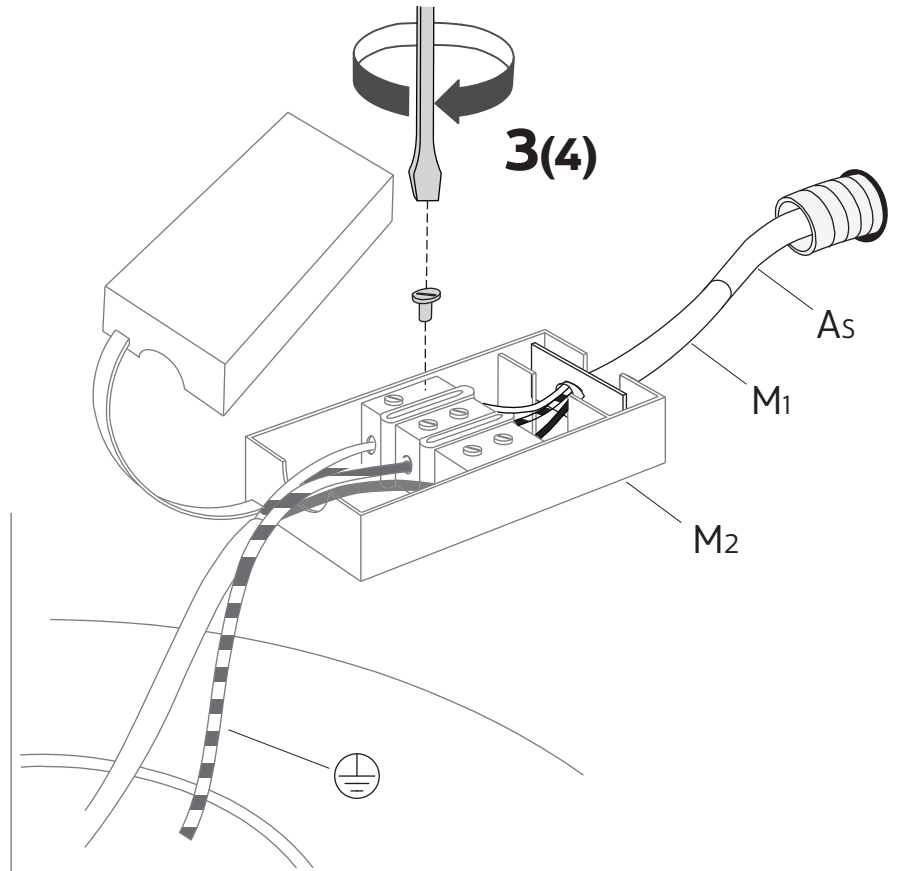
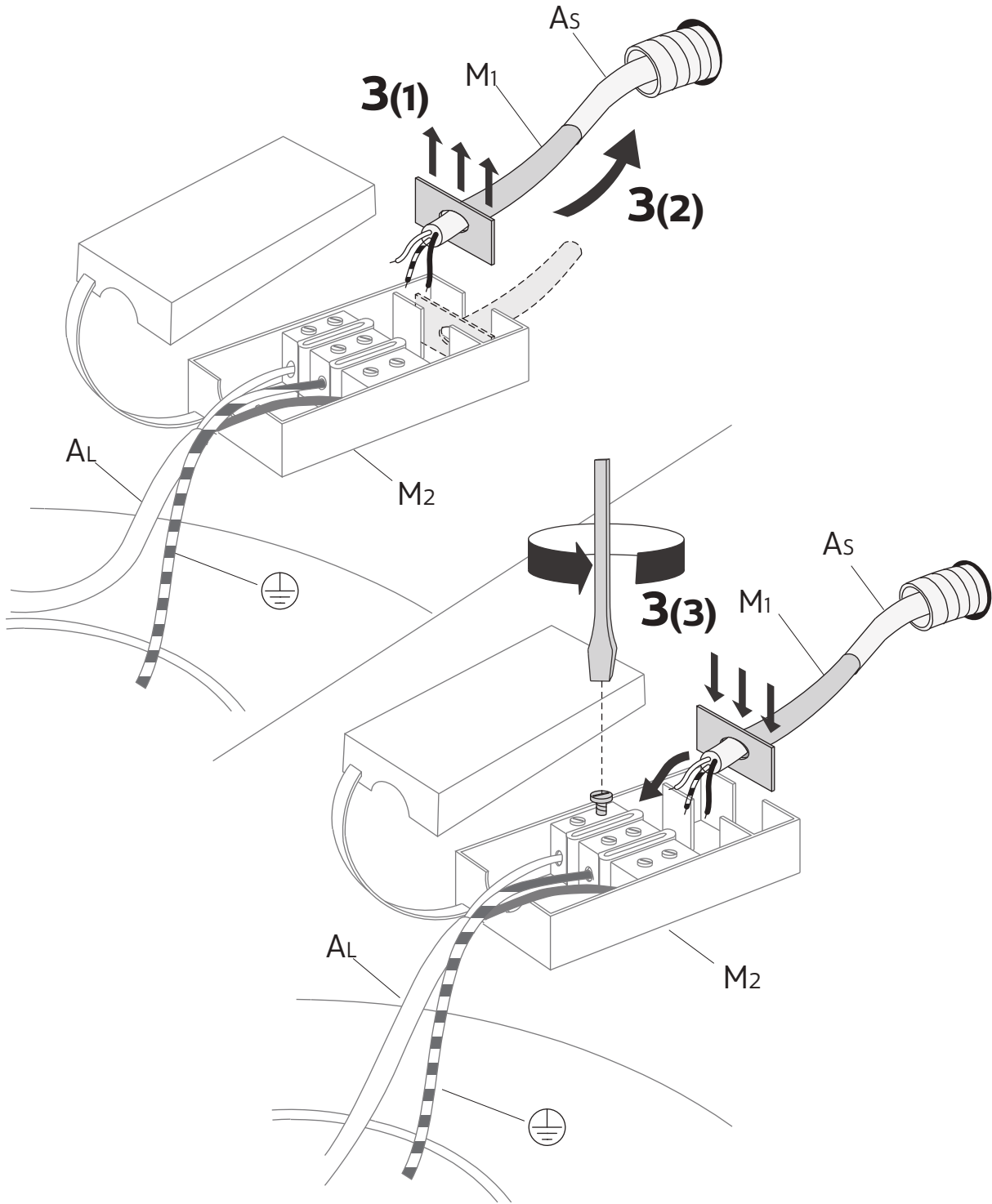


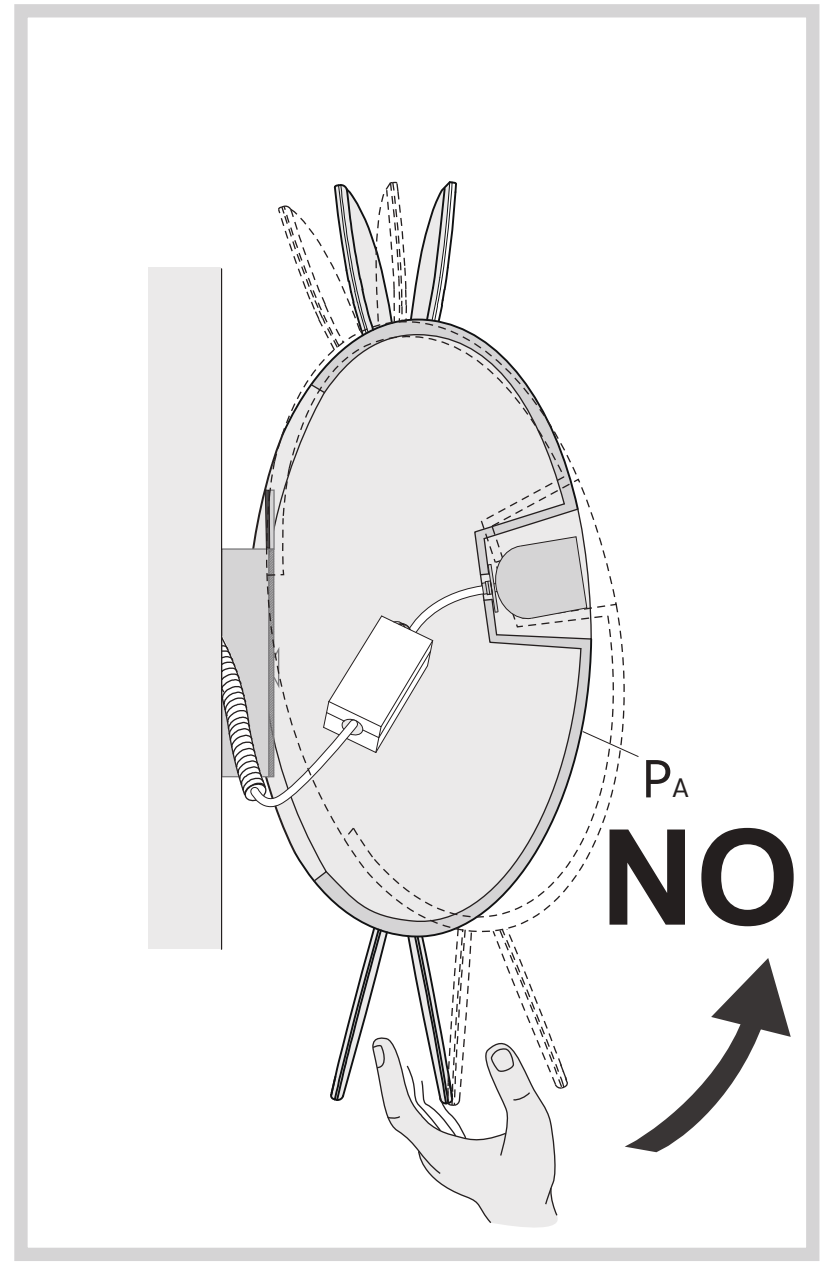
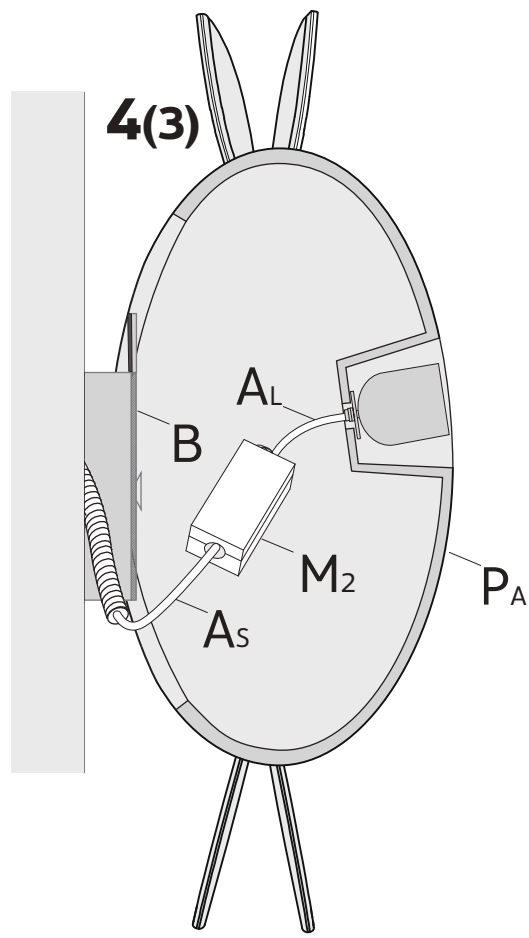
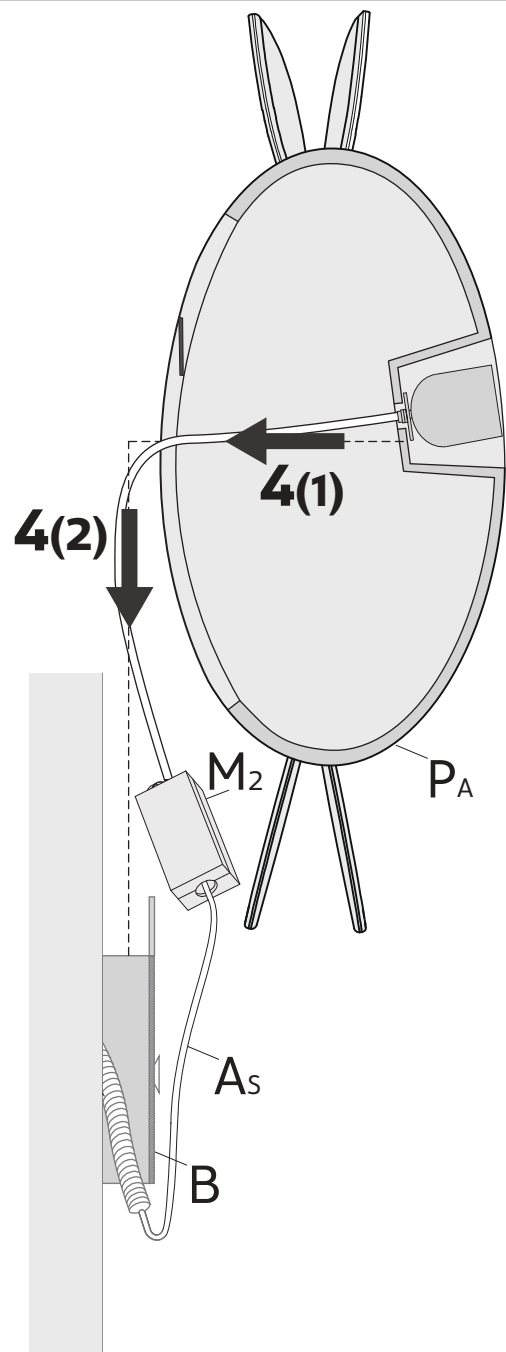
1x **B**

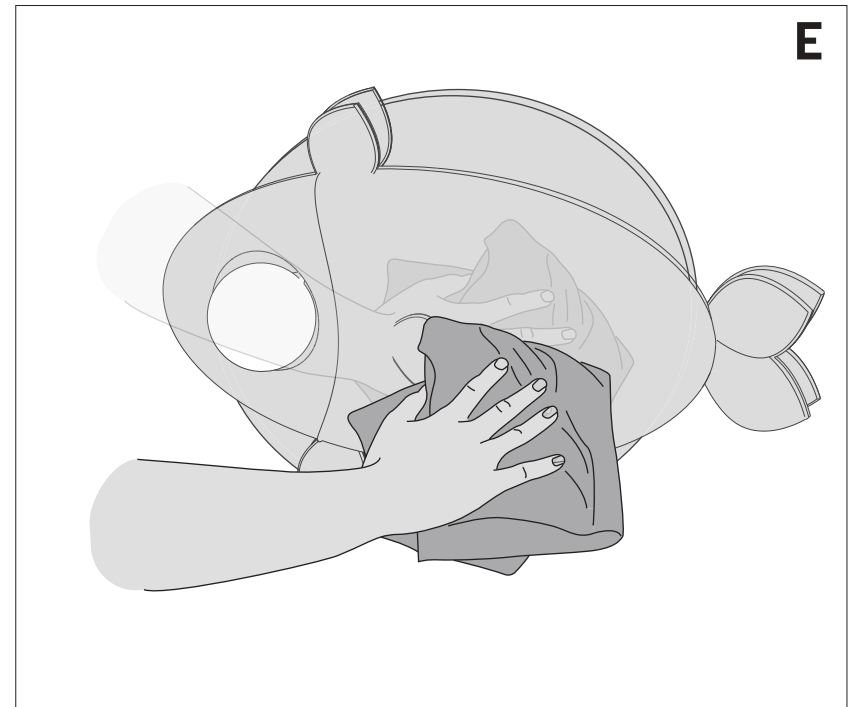
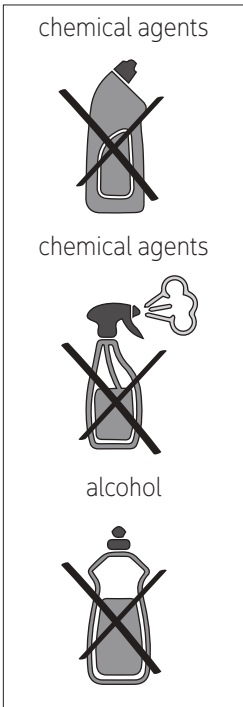
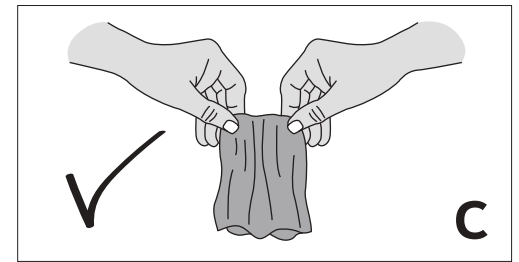
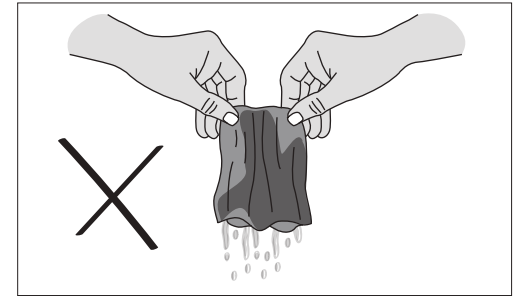
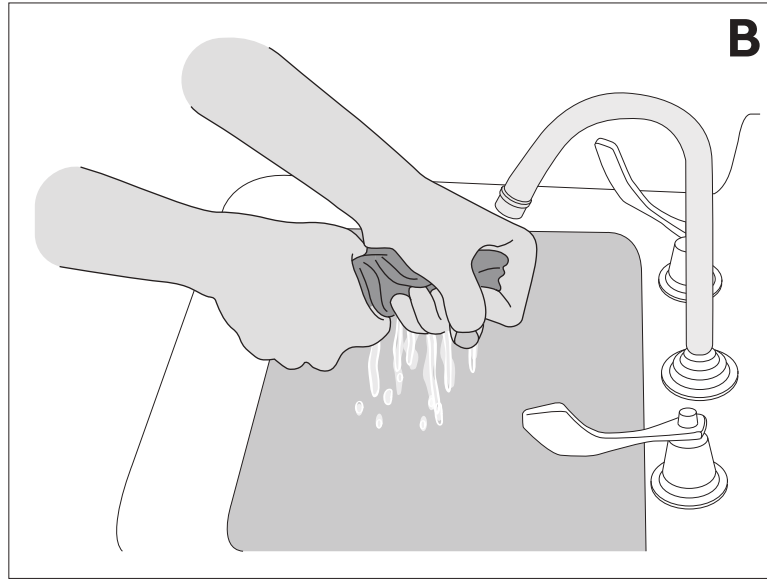


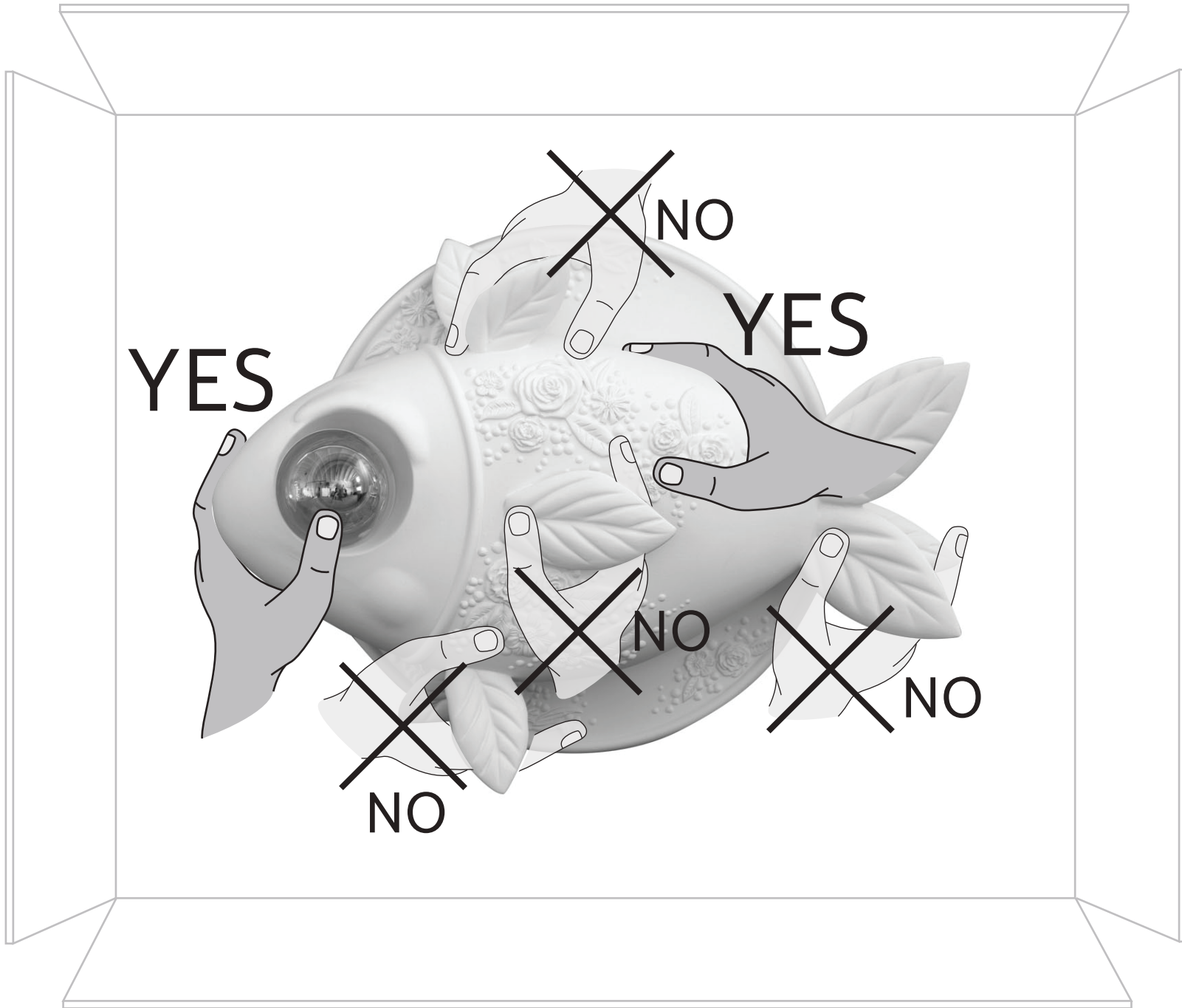












YES

~~NO~~

YES

~~NO~~

~~NO~~

~~NO~~