


# ALIBABIG floor lamp

Matteo Ugolini design


year 2012

## TECHNICAL SHEET - H625V-V11

### STRUCTURE "A"

|          |            |   |
|----------|------------|---|
| material | fiberglass |  |
| colour   | white      |   |

### ELECTRICAL CABLE "C"

|          |             |   |
|----------|-------------|---|
| material | PVC         |  |
| colour   | transparent |   |

### ELECTRICAL SYSTEM

|              |               |
|--------------|---------------|
| socket       | E26           |
| source       | max 4x18w LED |
| energy class | from E to A++ |

### PACKAGING

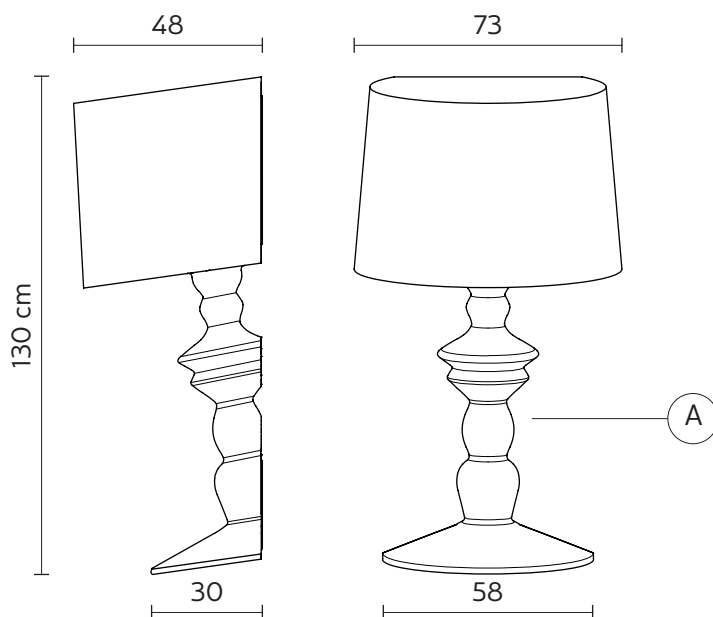
|                 |           |
|-----------------|-----------|
| nr. of collis   | 1         |
| net weight/kg   | 11        |
| gross weight/kg | 16,1      |
| packaging/cm    | 62x75x139 |

### EMISSION OF LIGHT

one-directional



bulb not provided



### COLLECTION

available also as: tavolo, wall lamp and suspension

