

ALÌ E BABÀ

SE618BS
SE619BS
SE622BS
SE623BS

220-240 V.
max 1x70W E27 (a) - max 1x52W E27 (b)



a



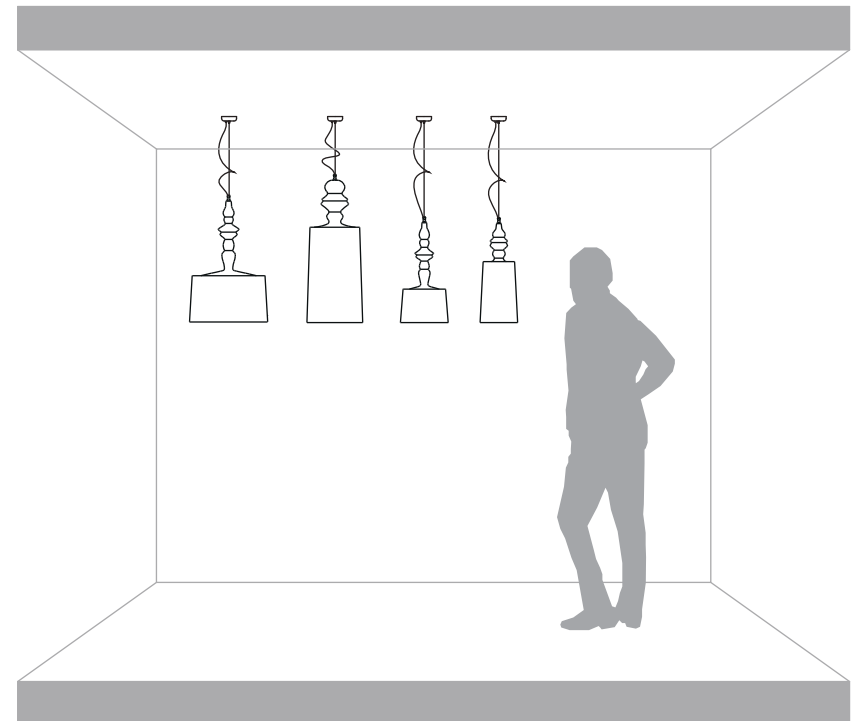
a



b

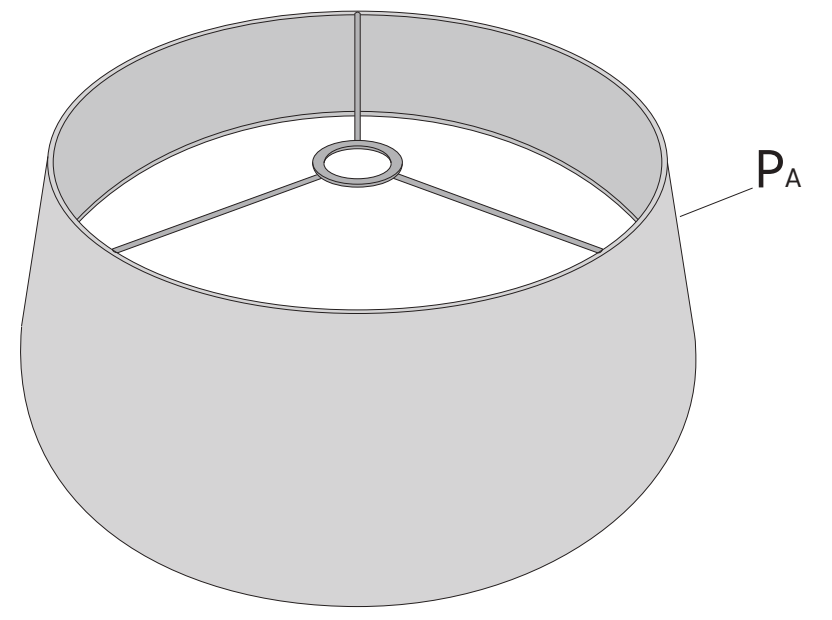
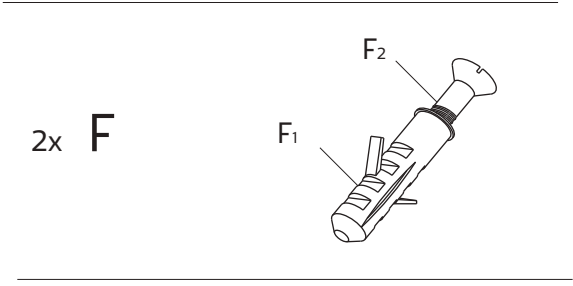
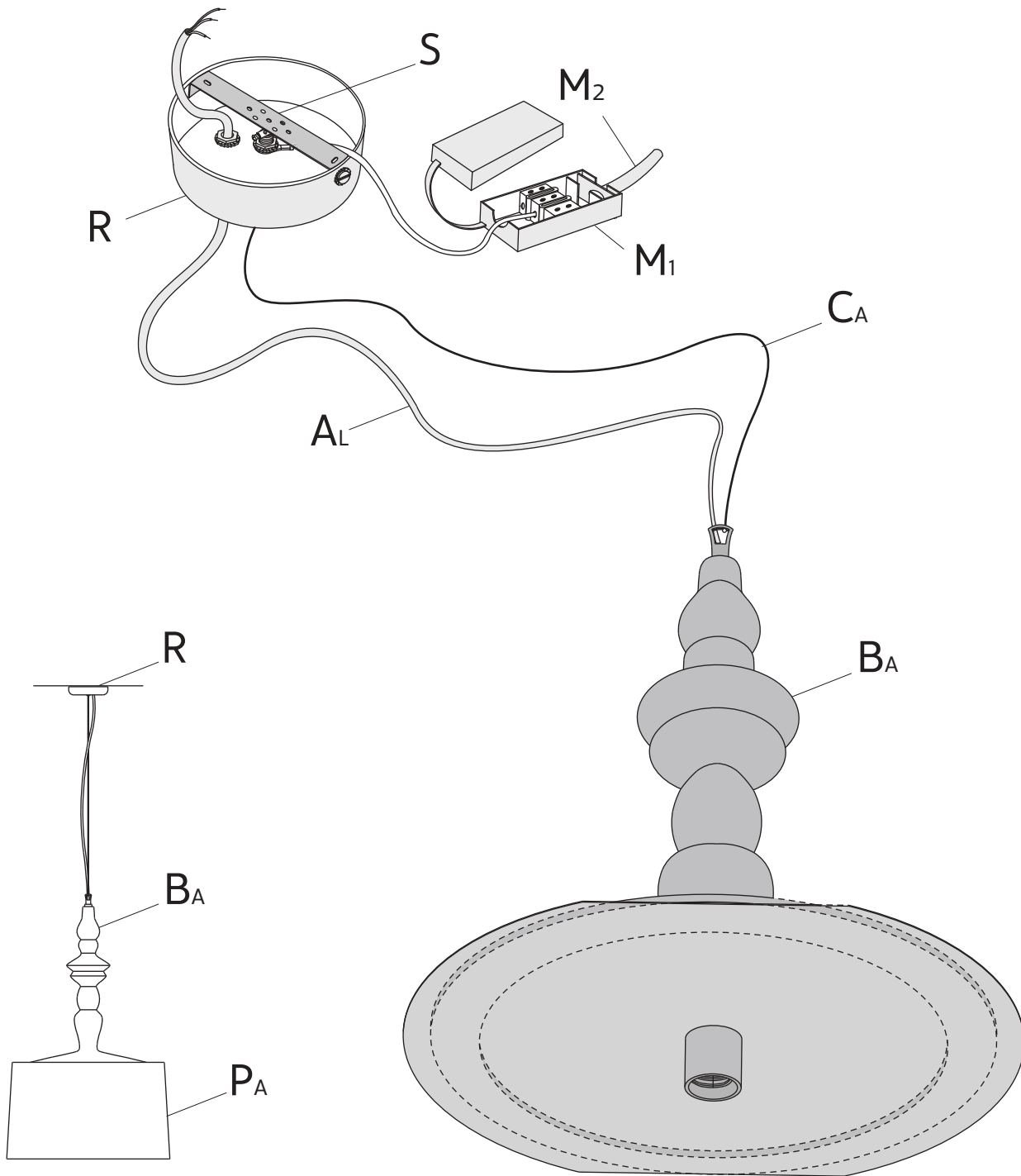


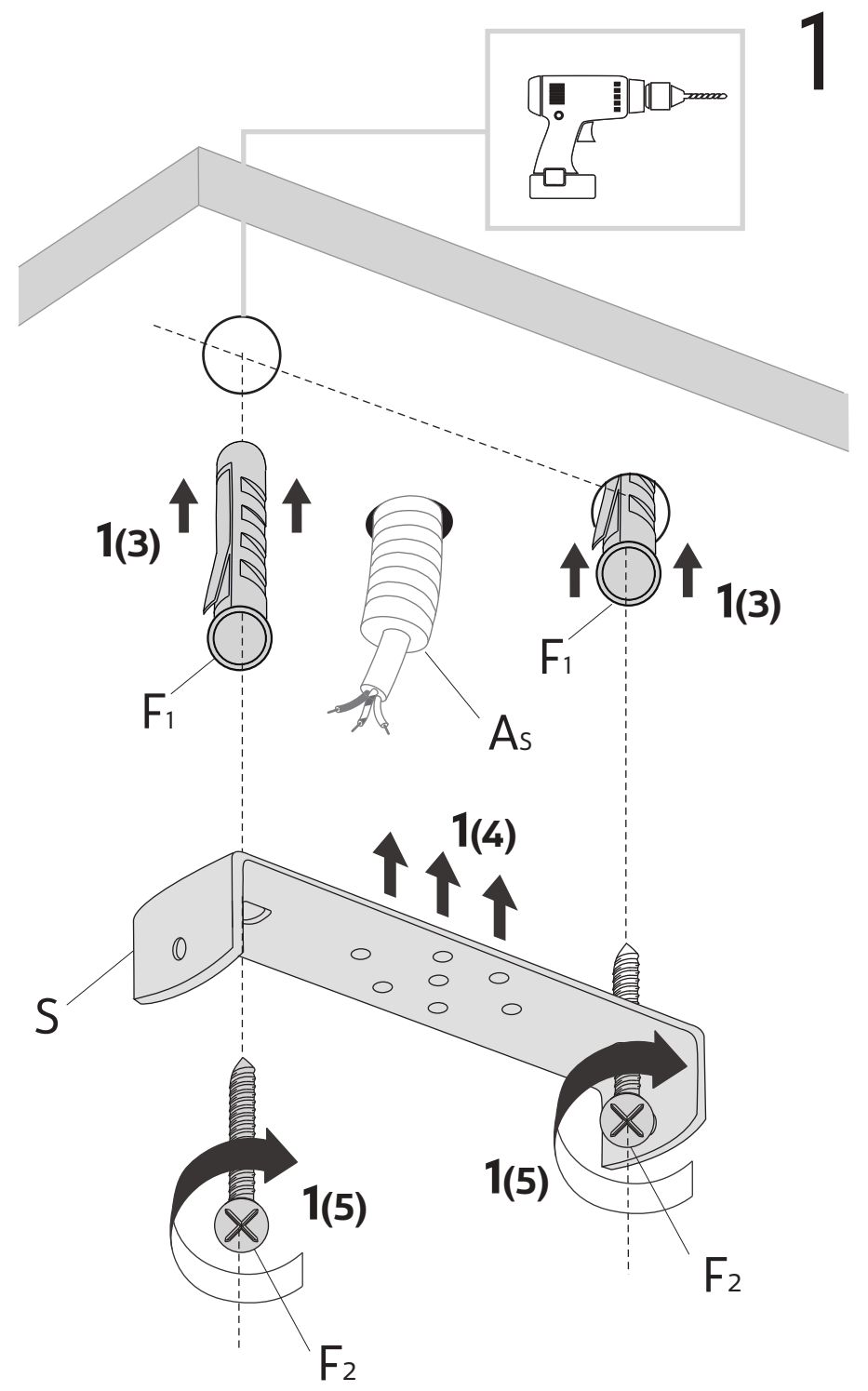
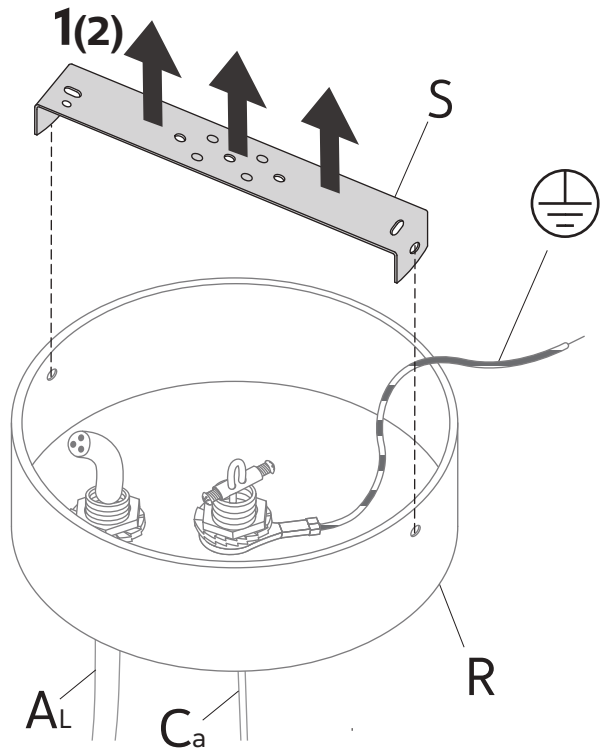
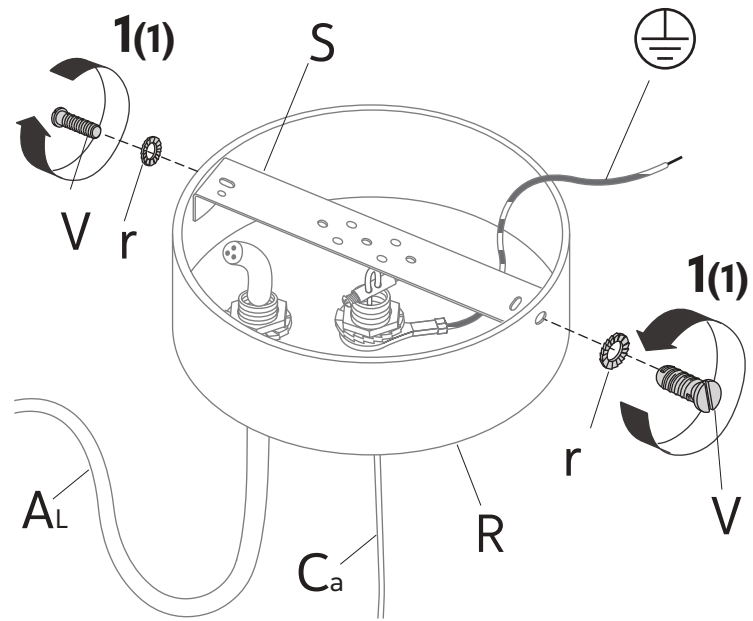
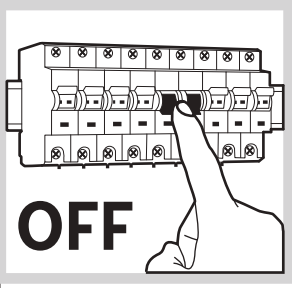
b

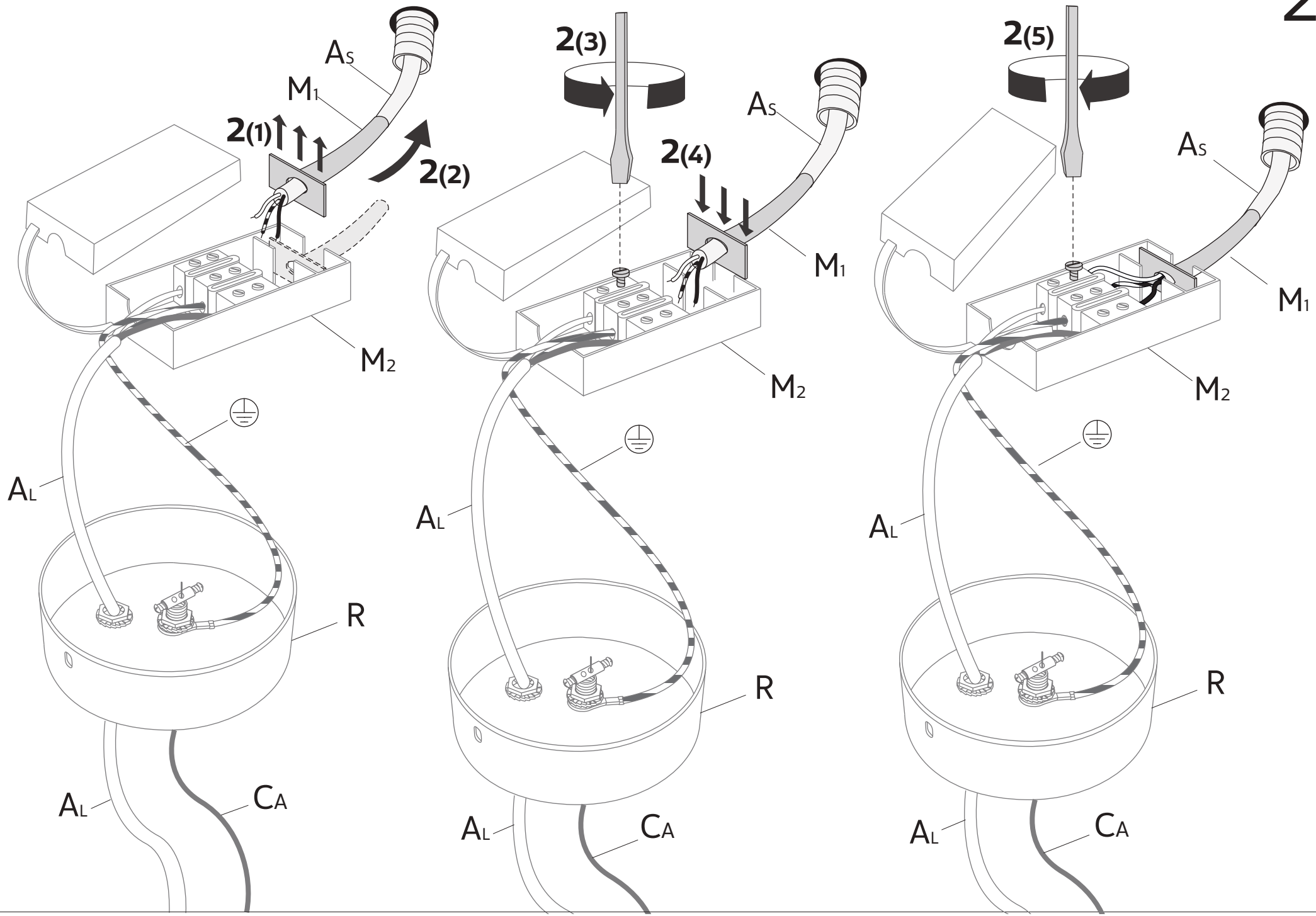


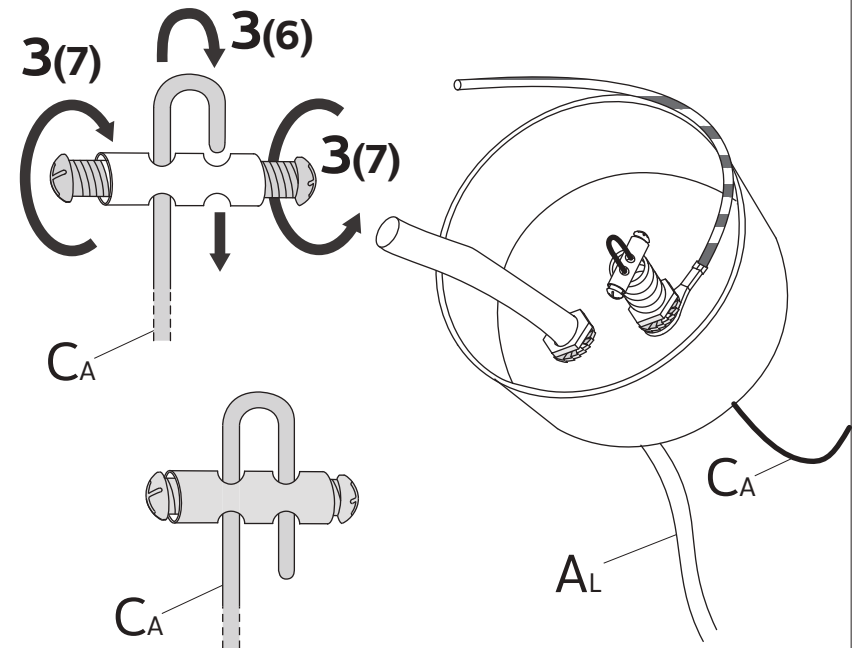
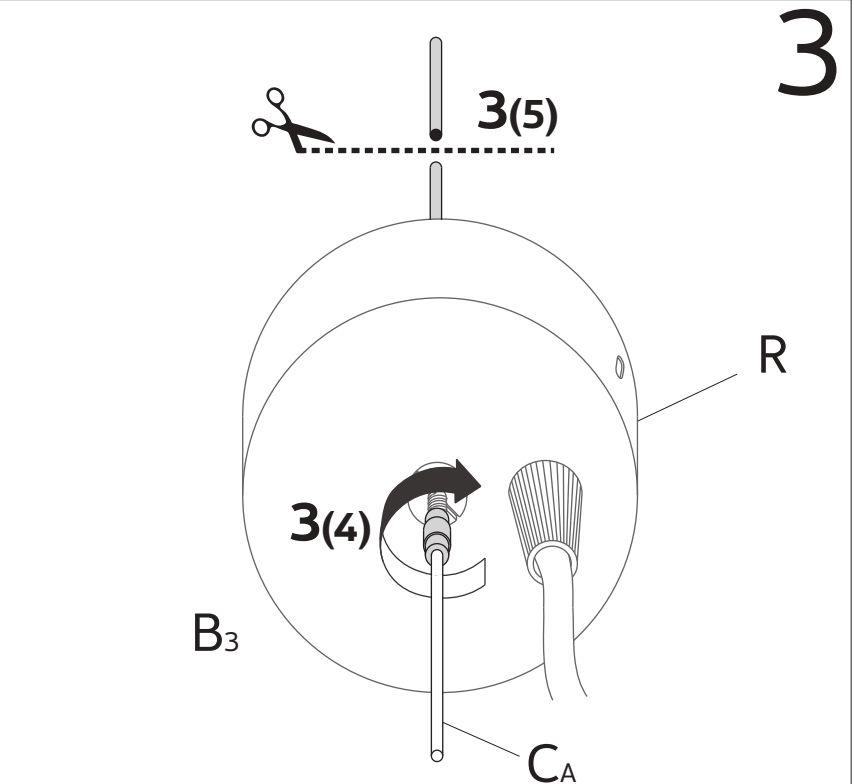
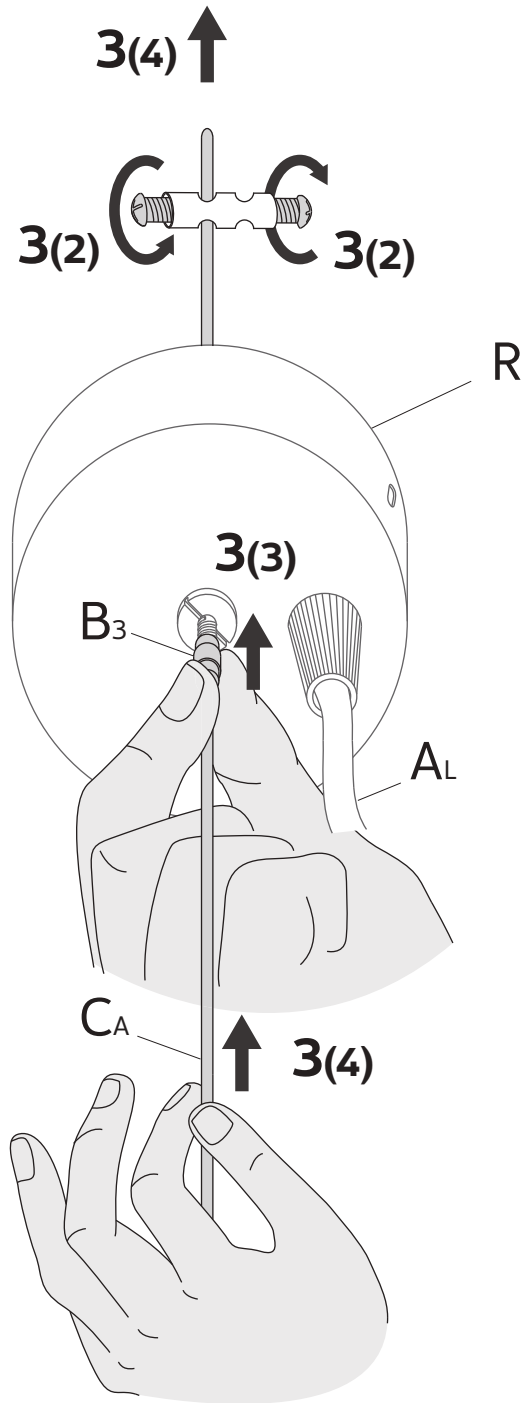
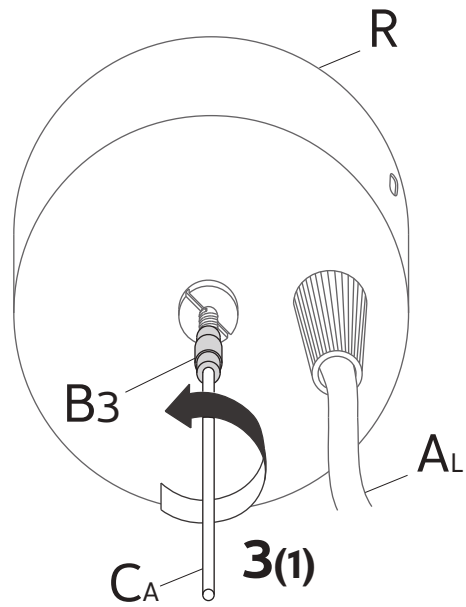
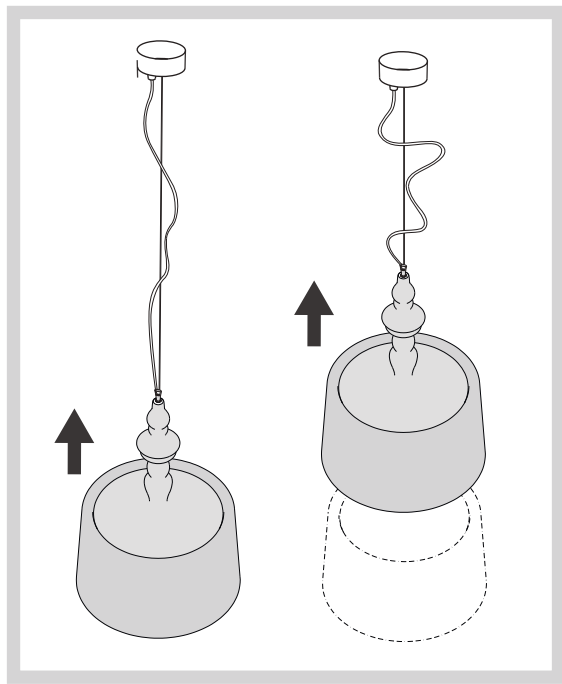
Karman srl

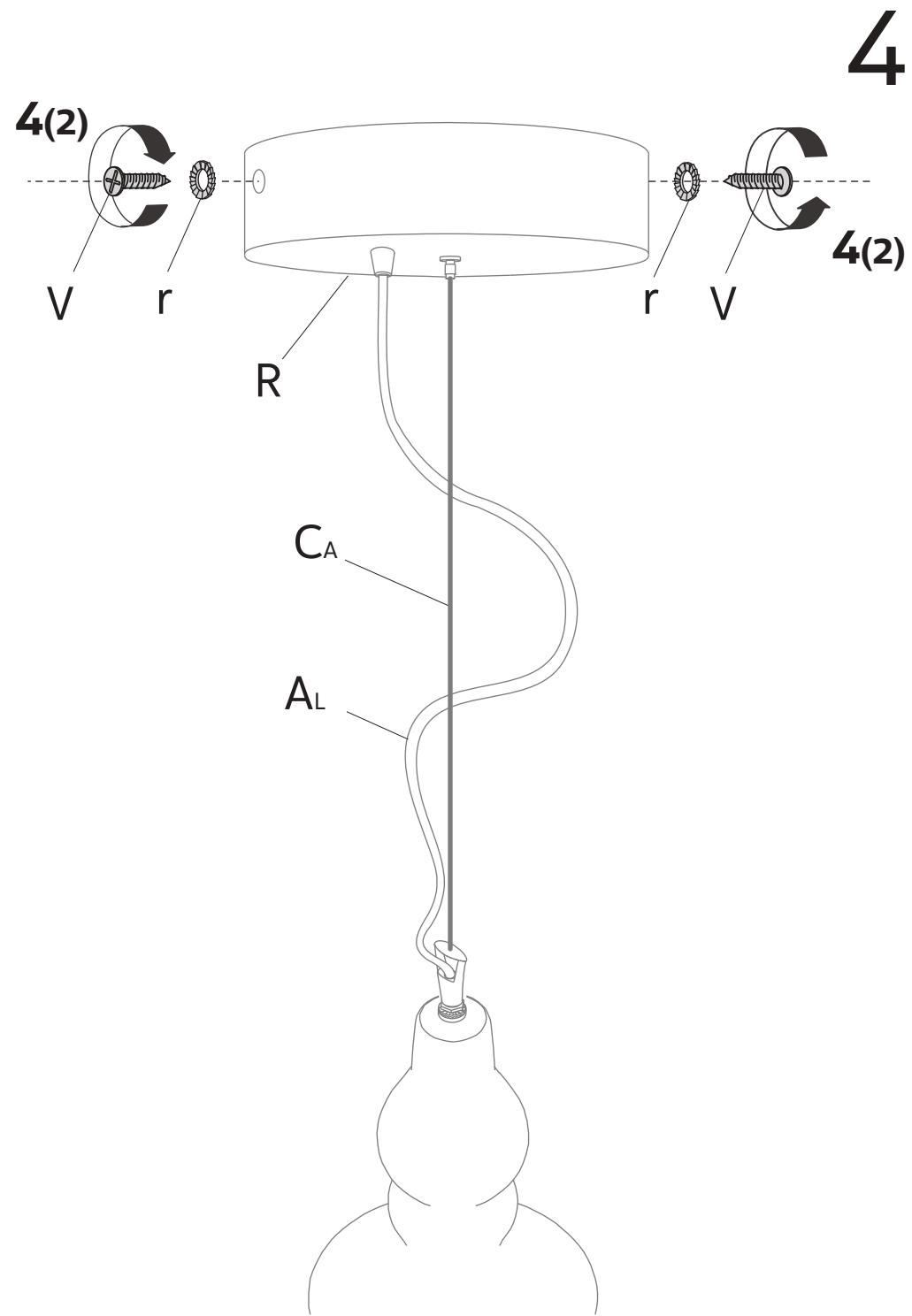
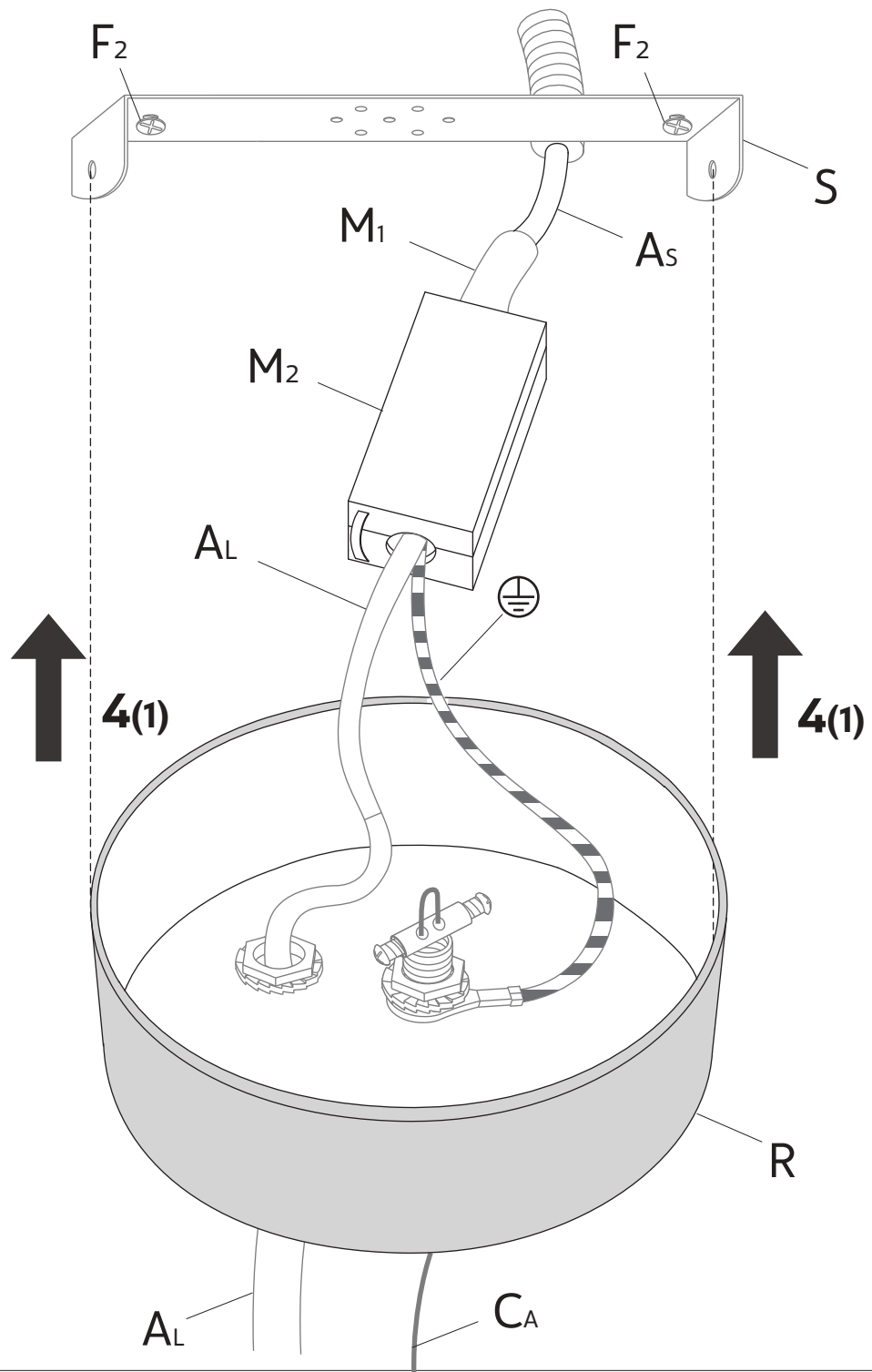
Via A. Grandi, San Martino del piano, 61034 Fossombrone (PU), Italy - p.iva 02175640412 tel +39 0721 71 5042 r.a fax +39 0721 716640 - www.karmanitalia.it











4

4(2)

4(2)

F₂

F₂

S

M₁

A_S

M₂

A_L



4(1)

4(1)

R

A_L

C_A

4(2)

4(2)

V

r

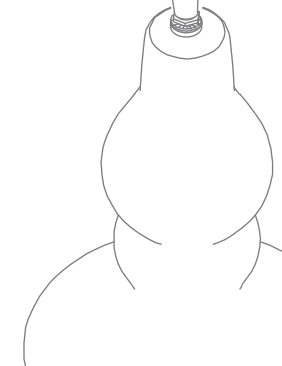
R

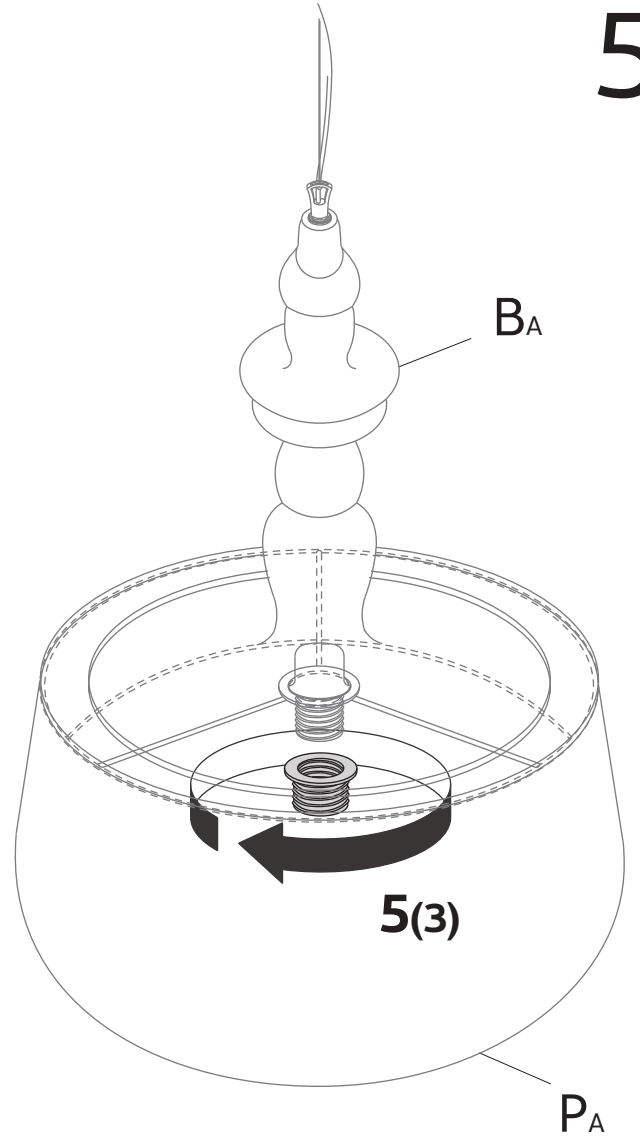
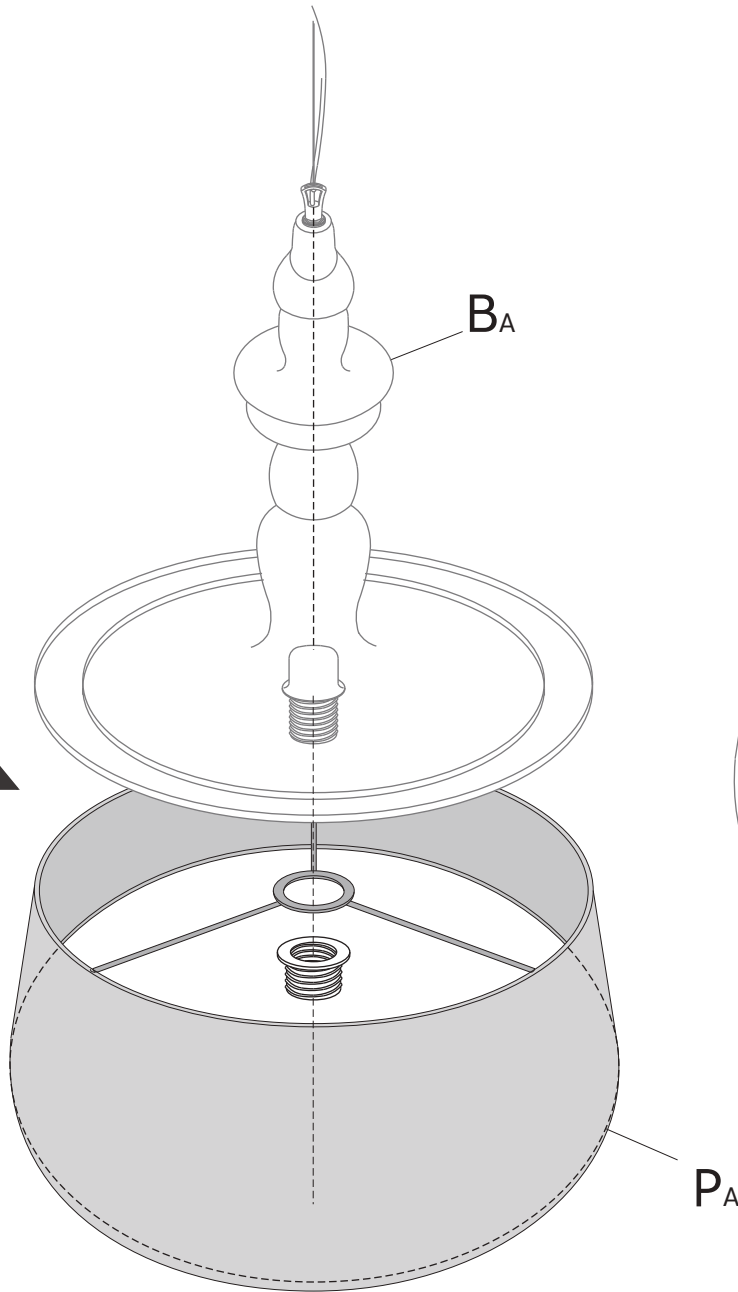
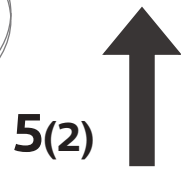
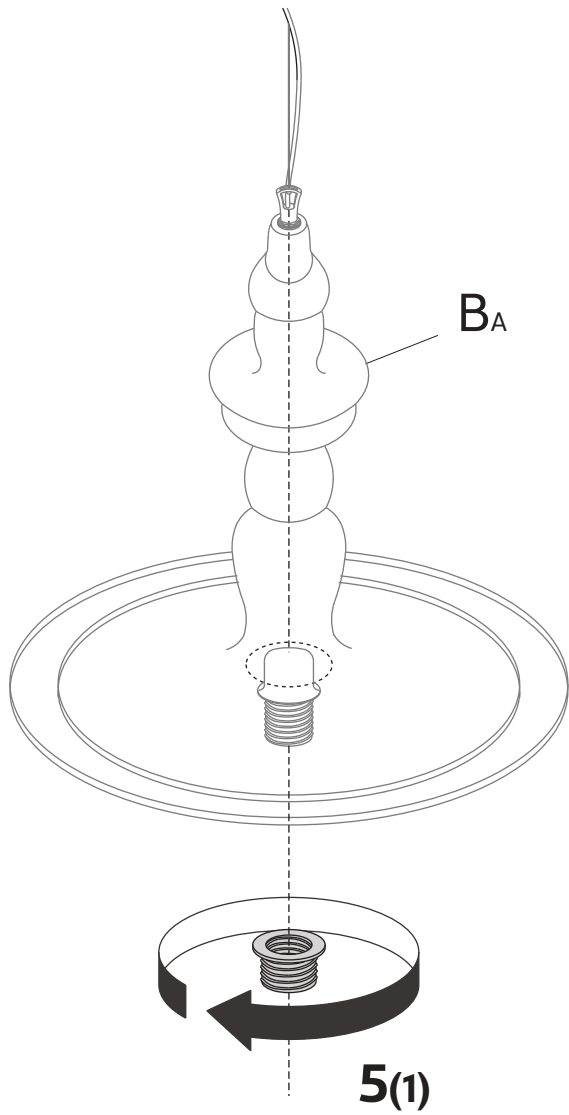
r

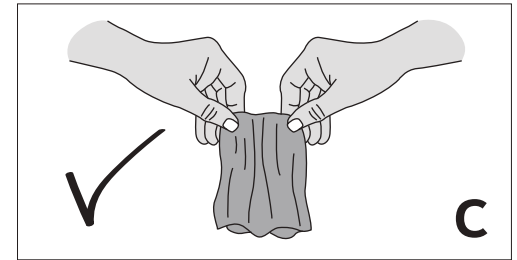
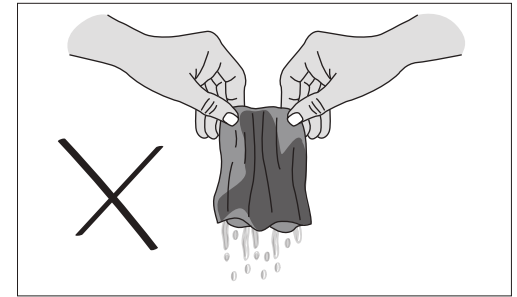
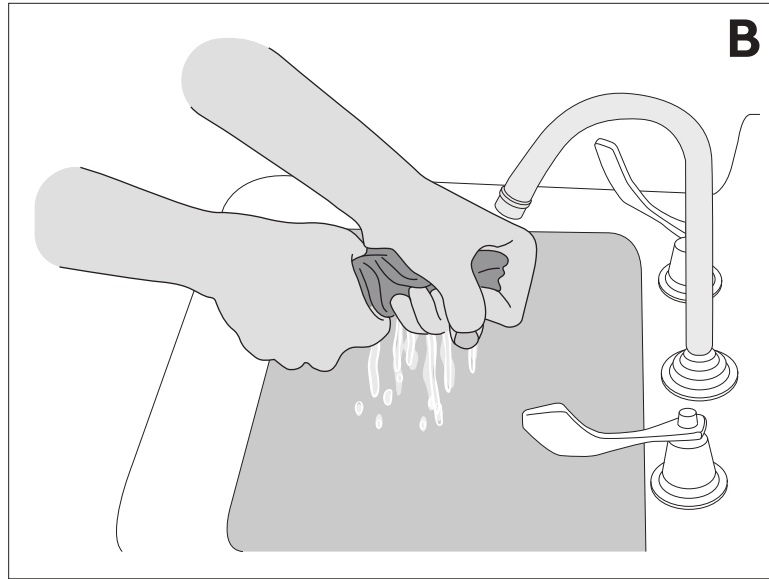
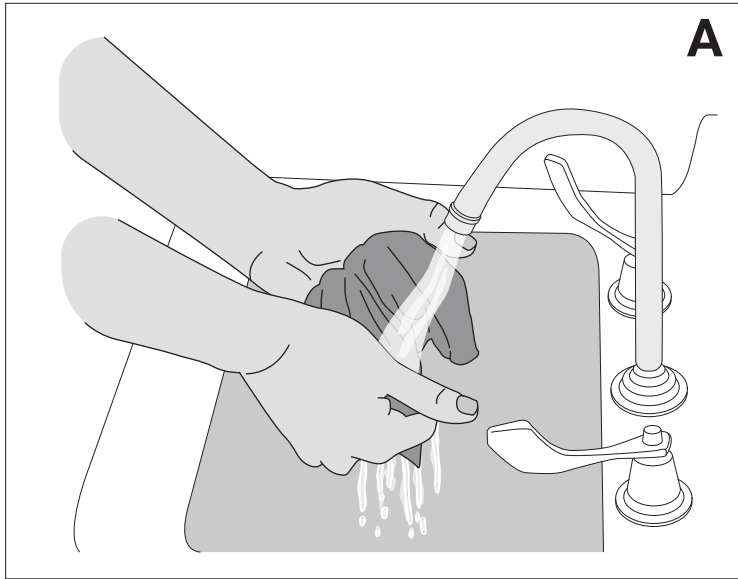
V

C_A

A_L







chemical agents

chemical agents

alcohol

