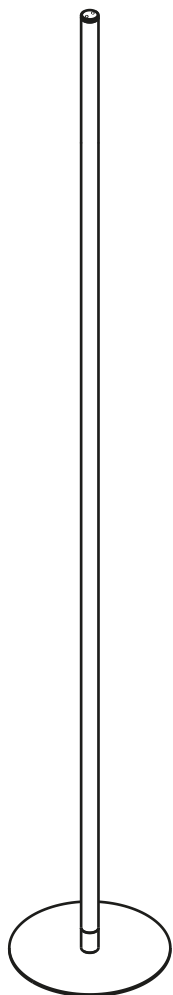
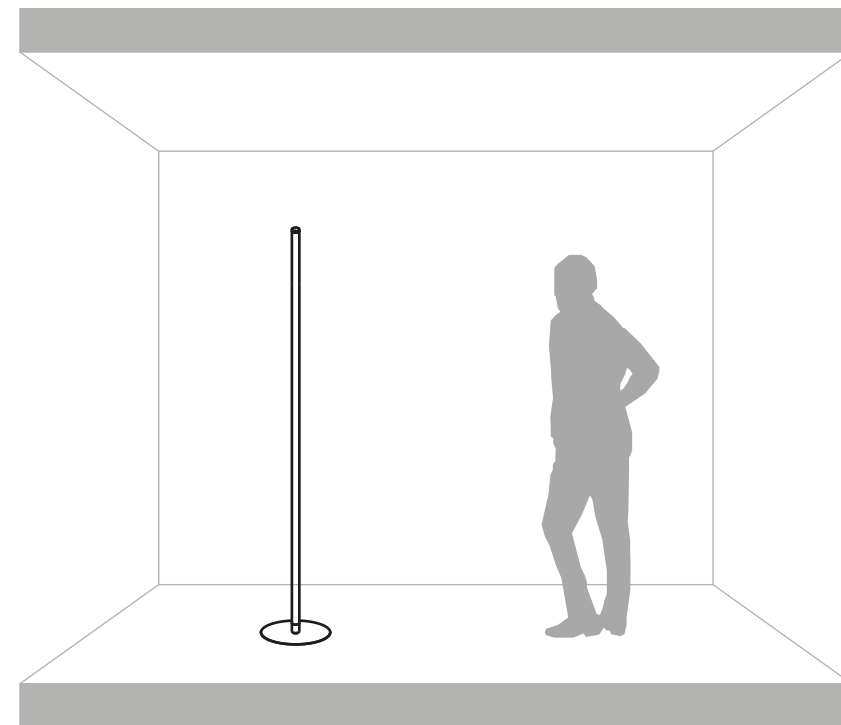


accipicchio



HP213N1 INT - 3000K
HP213N2 INT - 2700K



Karman srl

Via A. Grandi, San Martino del piano, 61034 Fossombrone (PU), Italy
p.iva 02175640412 tel +39 0721 71 5042 r.a fax +39 0721 716640 - www.karmanitalia.it

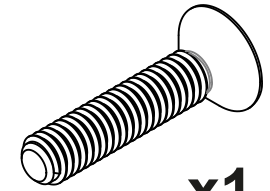
KARMAN

24 Vdc
strip led 60W

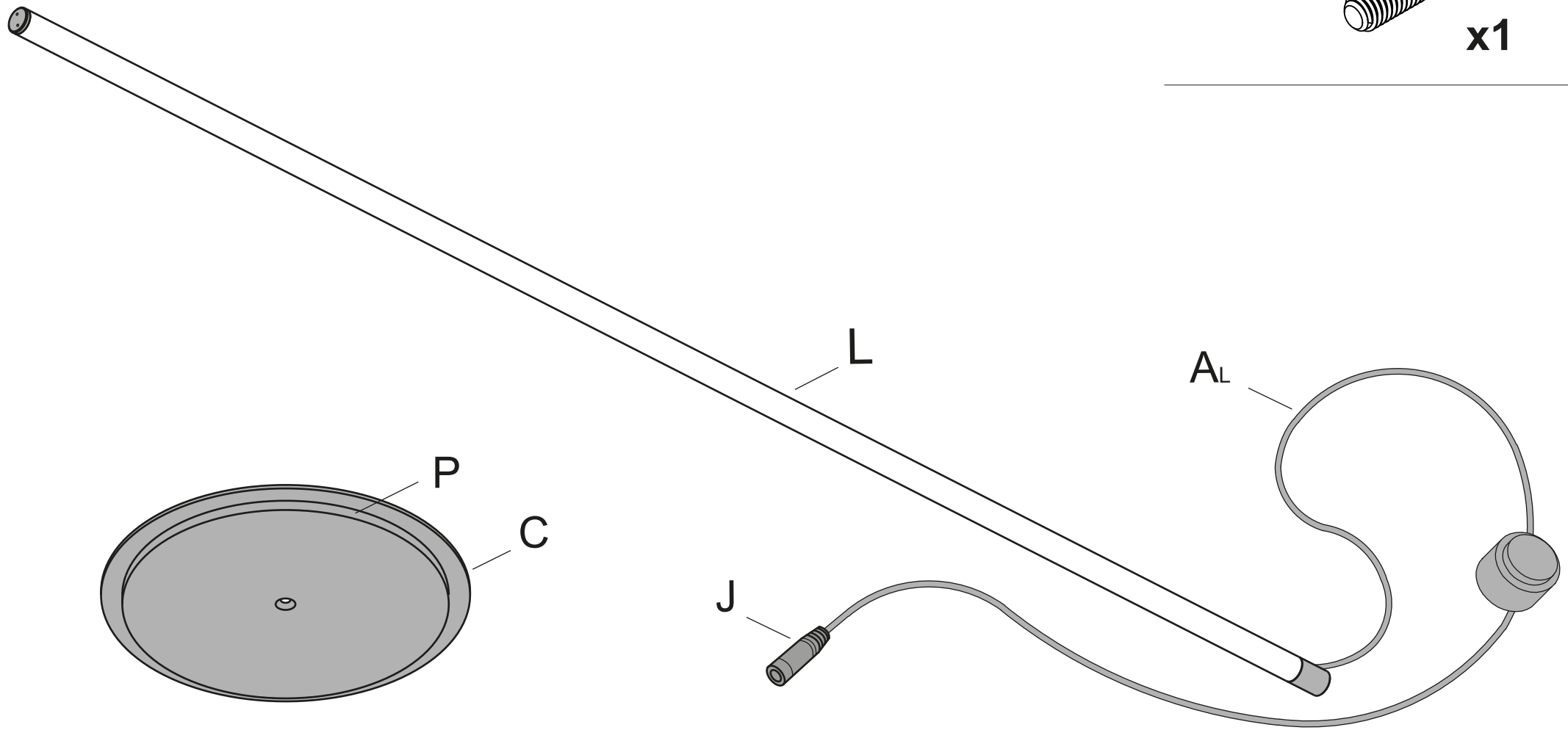


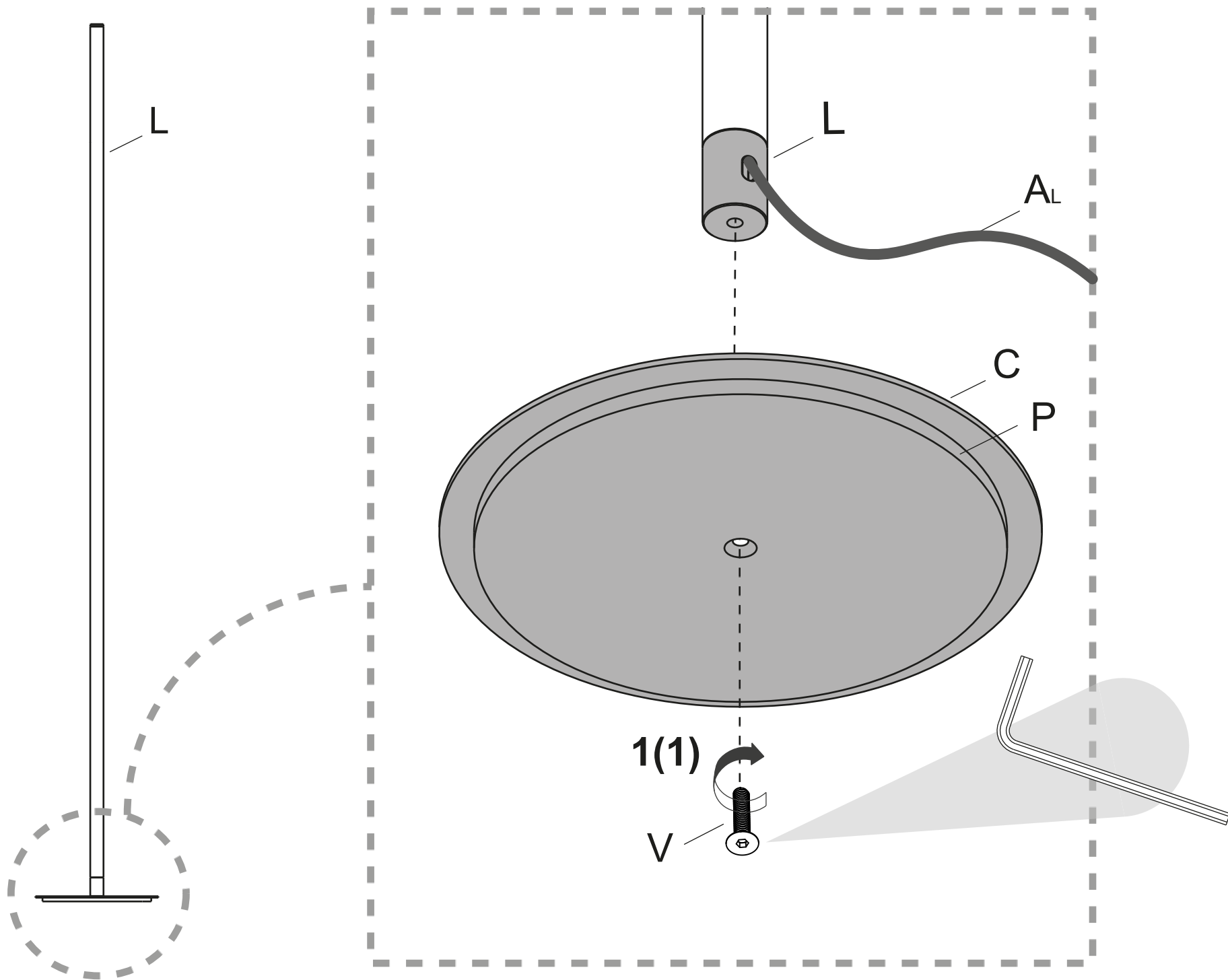
C - 01

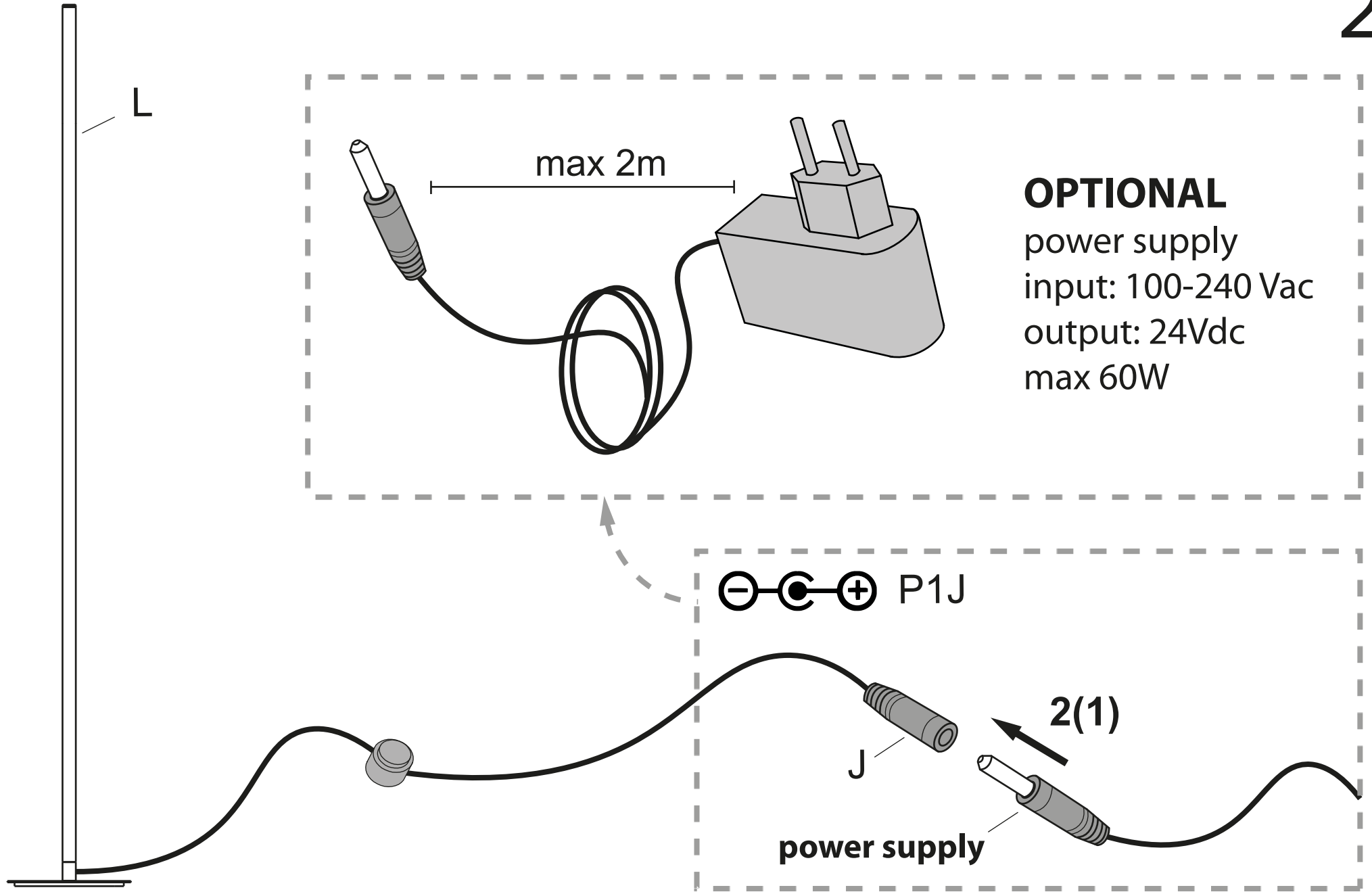
V



x1







L

max 2m

OPTIONAL
power supply
input: 100-240 Vac
output: 24Vdc
max 60W

⊖ ● + P1J

J

2(1)

power supply

