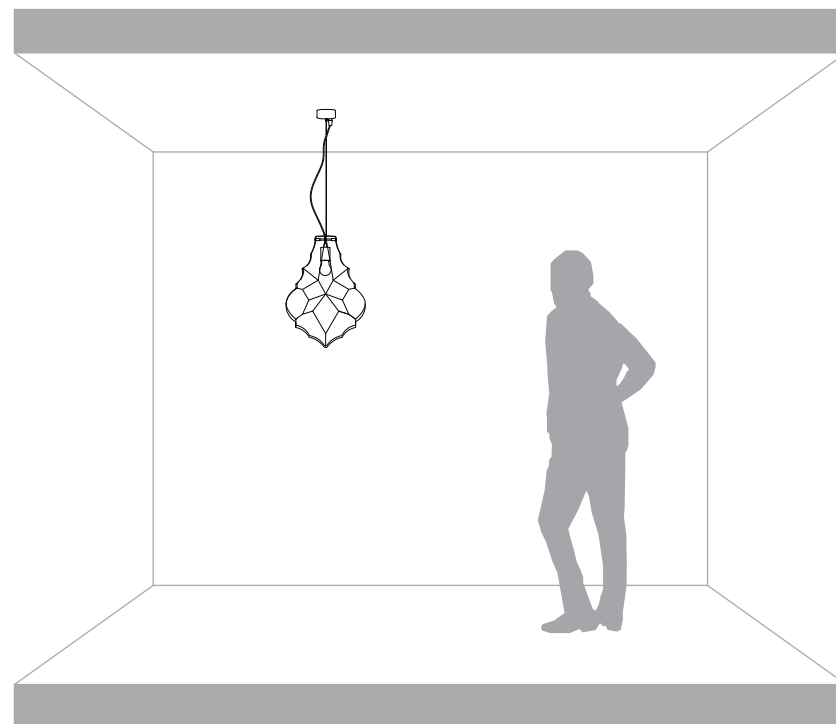


24KARATI



SE104 1G INT
SE104 1F INT
SE104 1B INT

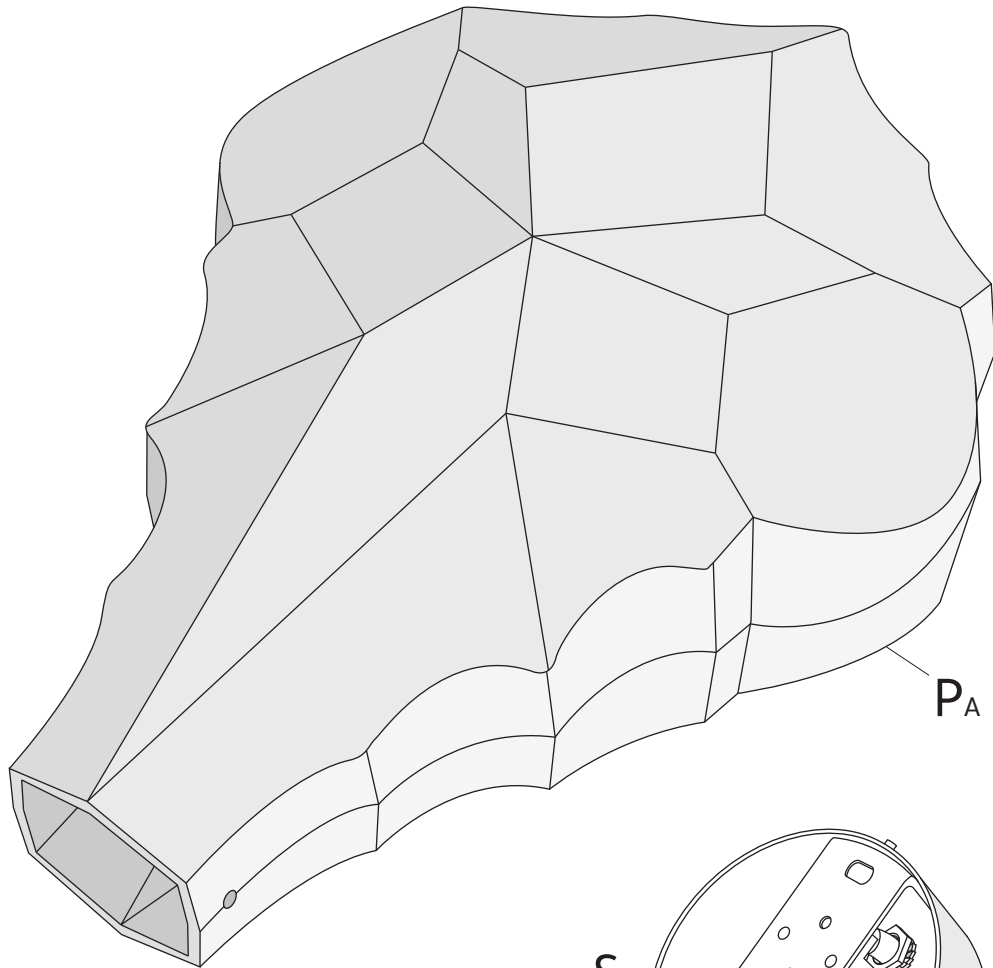
220-240 V.
max 1x70W - E27



Karman srl

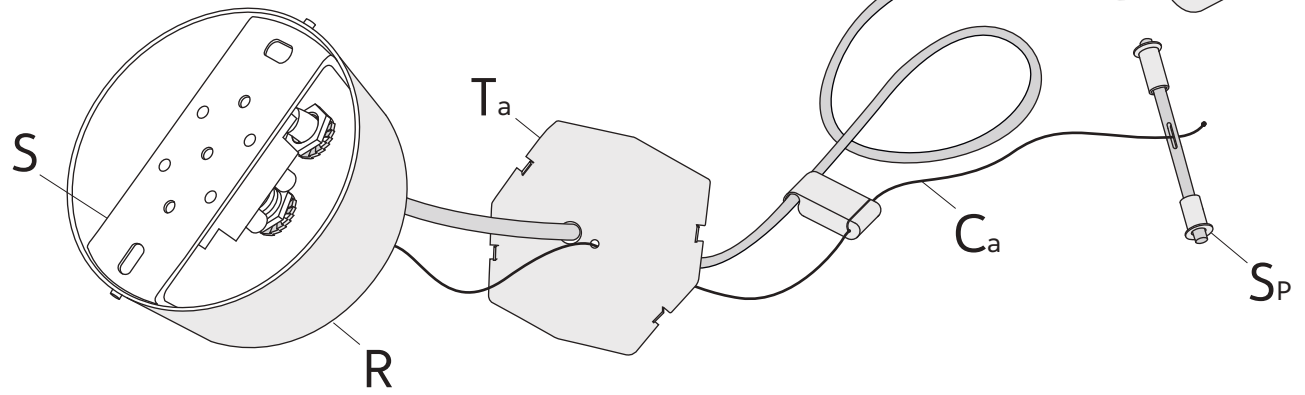
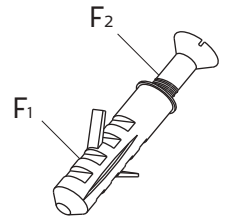
Via A. Grandi, San Martino del piano, 61034 Fossombrone (PU), Italy - p.iva 02175640412 tel +39 0721 71 5042 r.a fax +39 0721 716640 - www.karmanitalia.it

C - 01



P_A

2x **F**



S

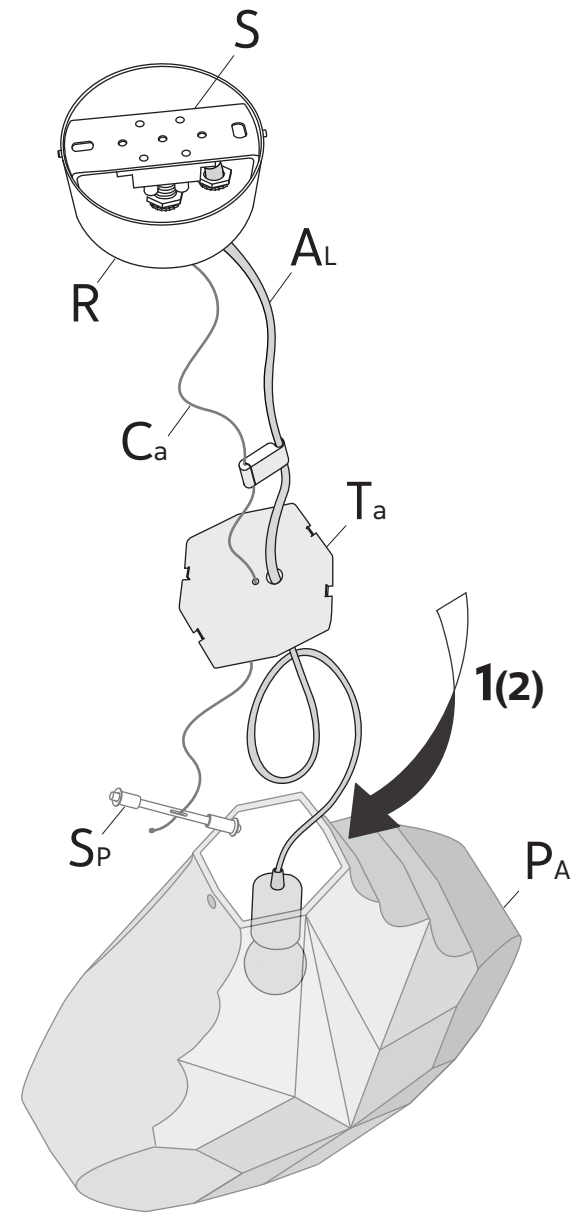
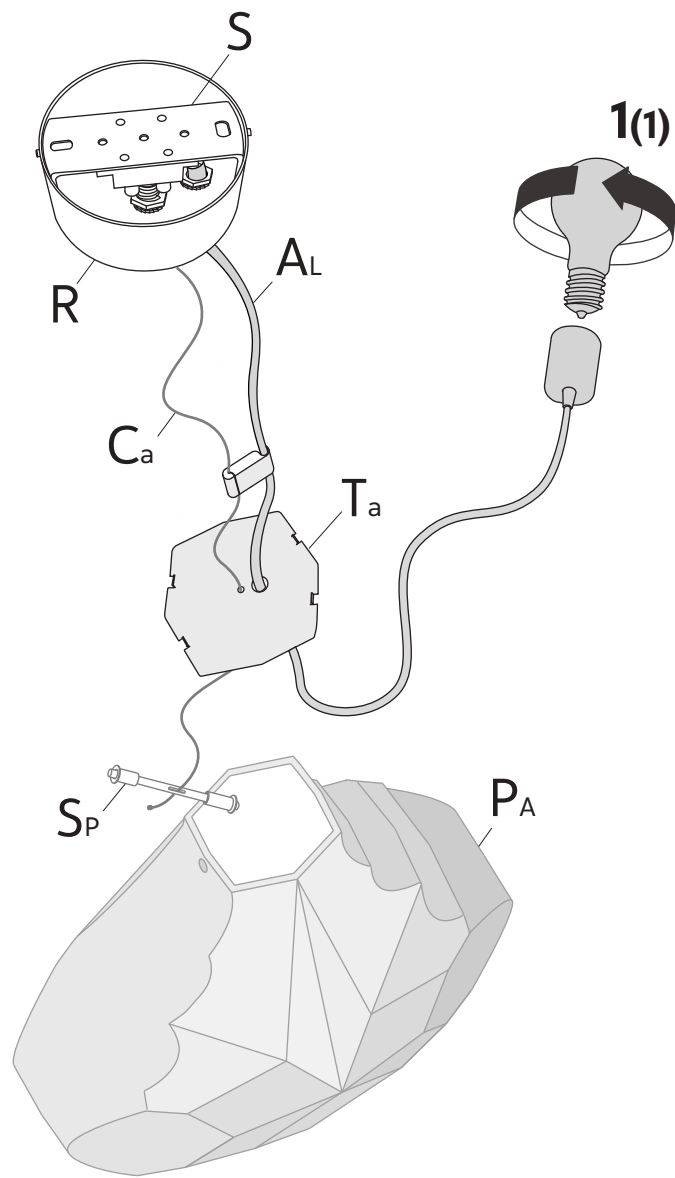
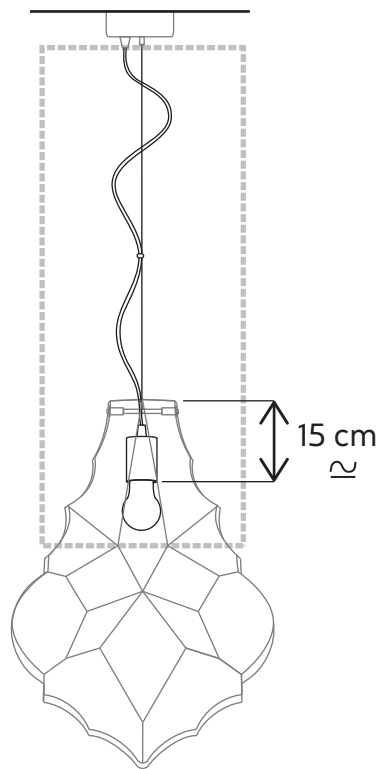
R

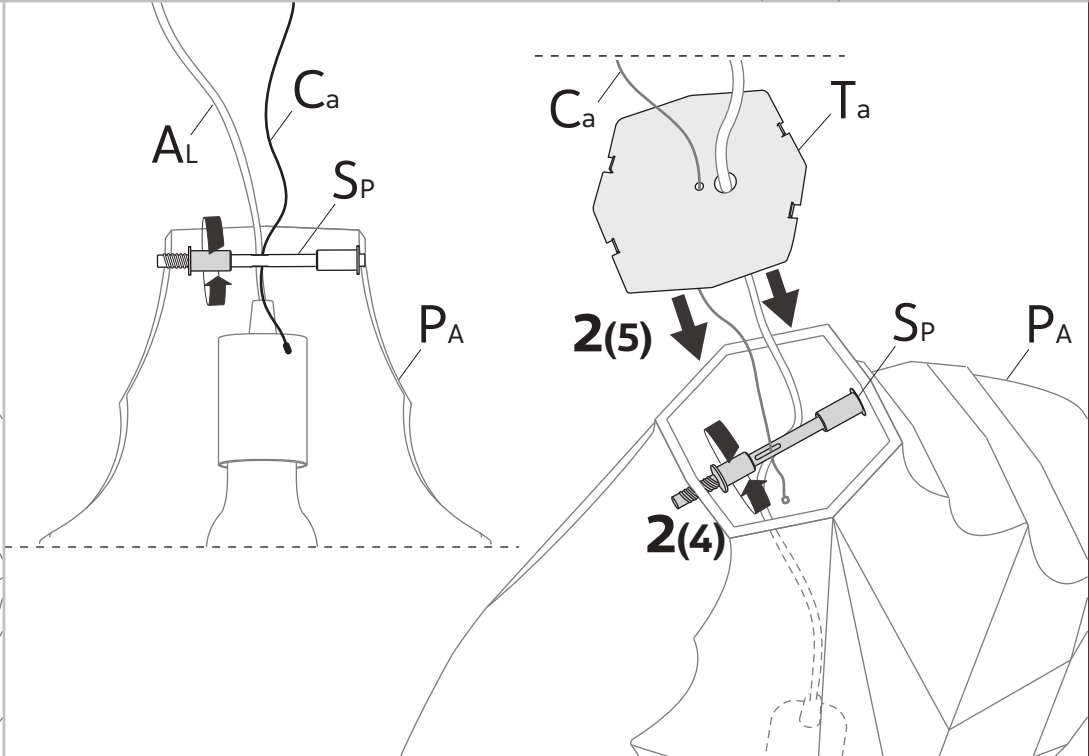
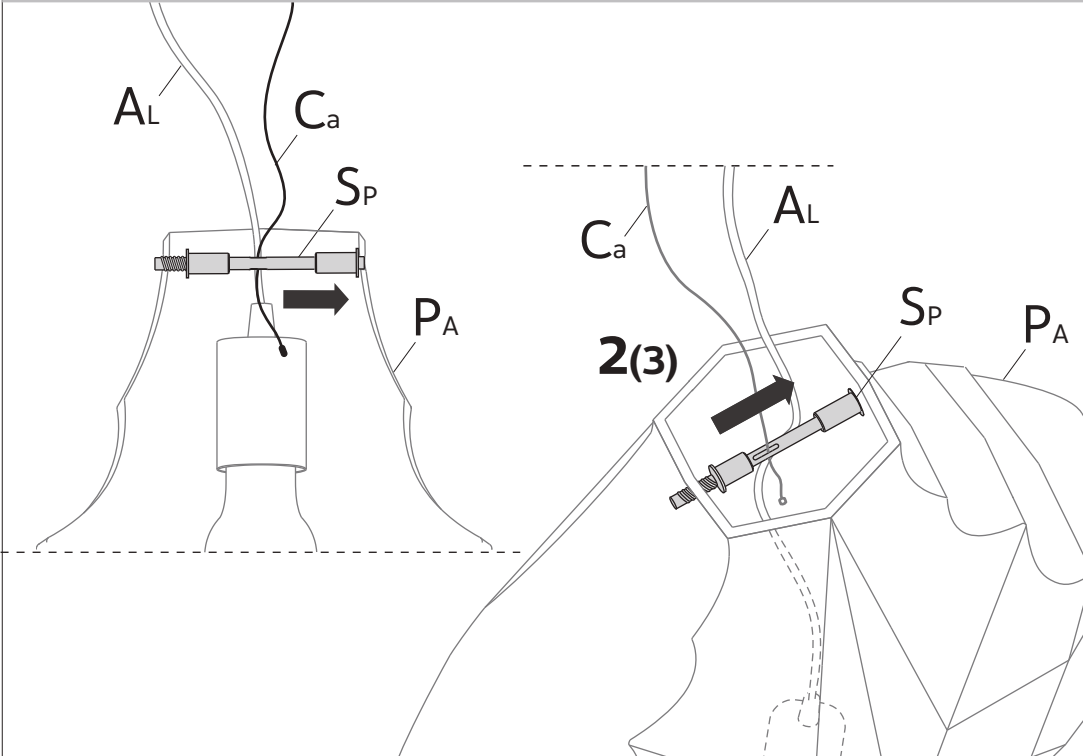
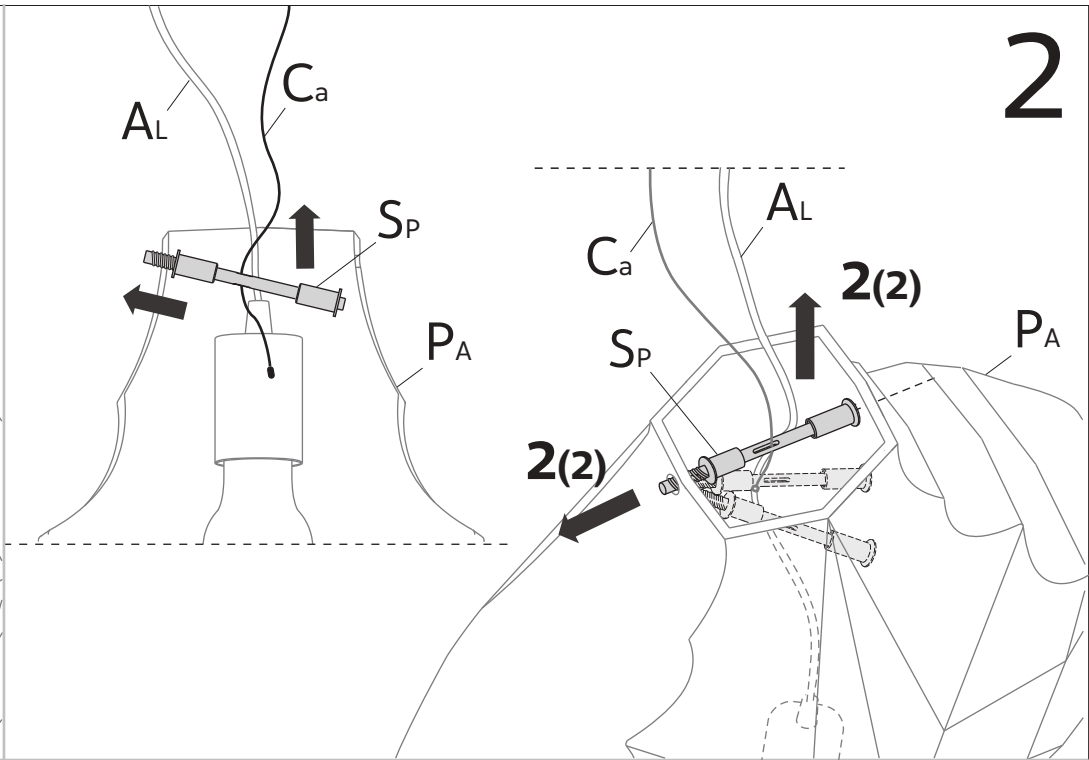
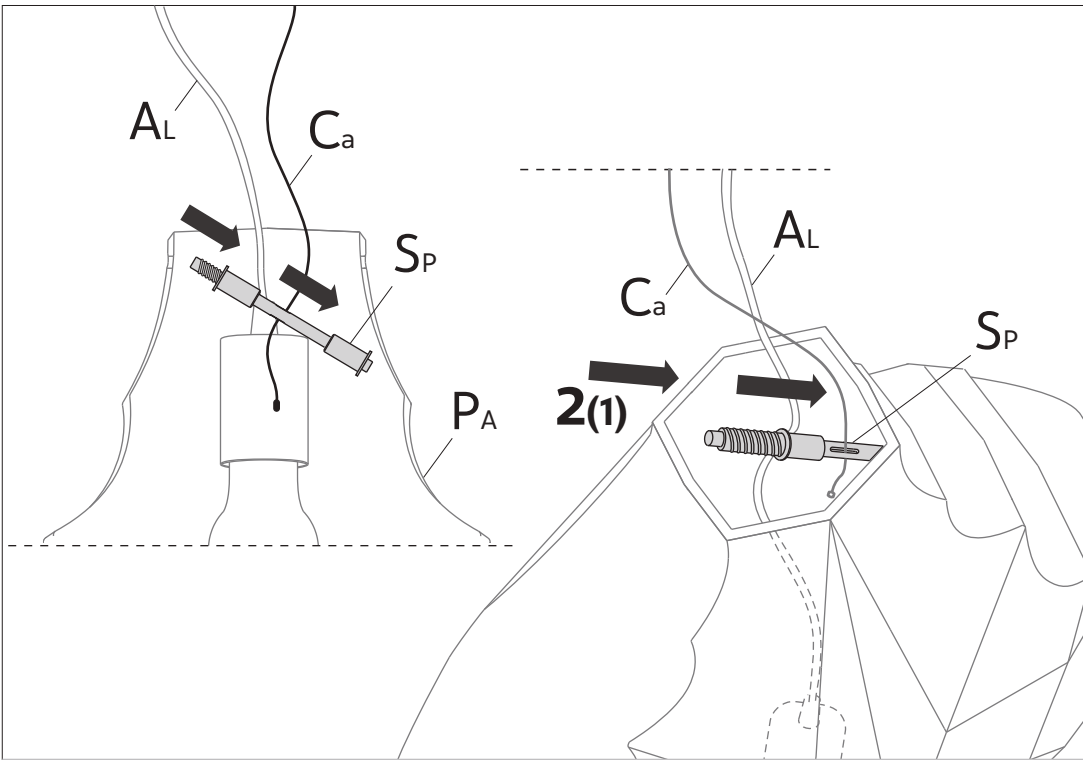
T_a

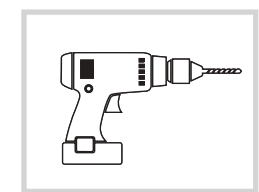
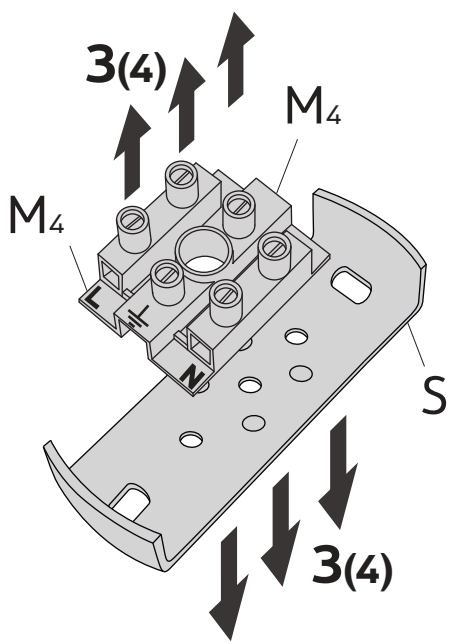
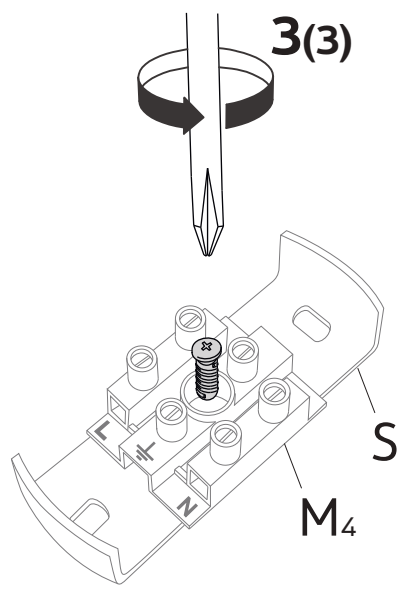
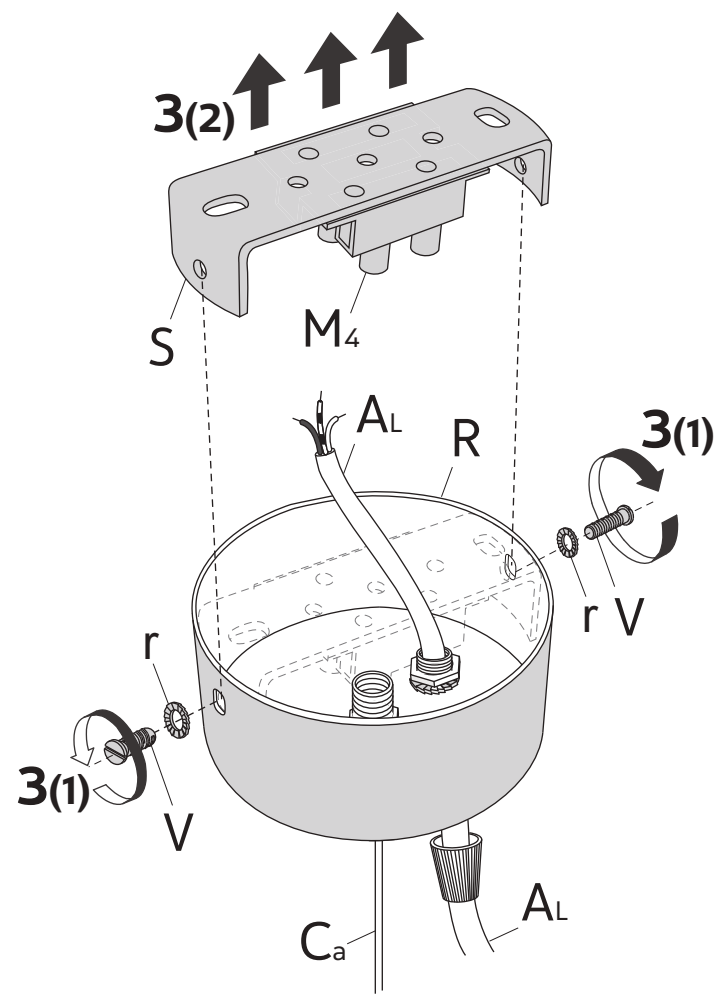
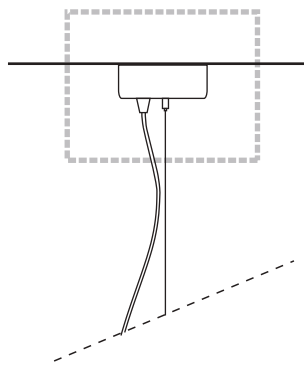
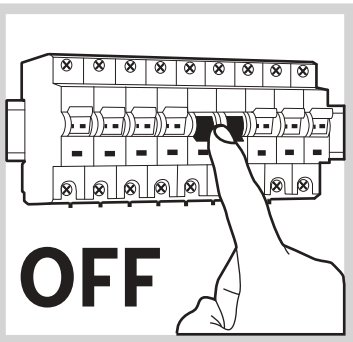
A_L

C_a

S_P







3

