

KAI 1 PENDANT

VISUAL COMFORT & CO.

PRODUCT FEATURES

- The Kai Pendant is a modern take inspired by Japanese traditional lanterns
- Offered in modern finishes
- Designed to be installed individually or multiples for a dramatic statement.
- Includes 12 feet of field-cutttable black cloth cord
- The LED Driver is housed within the junction box for this product
- Protected by a 5-year warranty, please visit the "About Us" Page on techlighting.com for more for warranty details



Natural Brass

LAMPING

Includes 12.5 watts, 638 delivered lumens, 3000K LED module.
Dimmable with most LED compatible ELV and TRIAC dimmers. Ships with 12 feet of field-cutttable black cloth cord. 120V



Matte White



Nightshade Black



Natural Brass

ORDERING INFORMATION

700	SYSTEM	KAI1 FINISH	LAMP
	TD LINE-VOLTAGE PENDANTS/SUSPENSION	W MATTE WHITE B NIGHTSHADE BLACK BR PLATED BRASS	-LED930 INTEGRATED LED 90 CRI 3000K 120V

700 _____ KAI1 _____

JOB NAME _____

NOTES _____

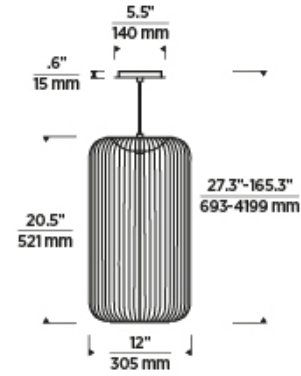


KAI 1 PENDANT

VISUAL COMFORT & CO.

SPECIFICATIONS

PRIMARY MATERIAL	Aluminum
SHADE MATERIAL	Aluminum
NET WEIGHT	10 lbs
HEIGHT	20.5in
WIDTH	12in
LENGTH	12in
UP LIGHT / DOWN LIGHT / BOTH?	
WET LISTED	
DAMP LISTED	
DRY LISTED	
MIN. HANGING HEIGHT	27.3in
MAX HANGING HEIGHT	165.3in
TOTAL CORD LENGTH	144in
TOTAL STEM LENGTH	
STEM QTY	
SLOPED CEILING ADAPTABLE?	Yes 45° Max
GENERAL LISTING	ETL Listed
INCLUDES	



LAMPING SPECIFICATIONS

	LED LAMP	INTEGRATED LED	NON LED	NO LAMP
DELIVERED LUMENS		638		
WATTS		12.5		
MAX WATTAGE PER BULB		12.5W		
		120V ELV, TRIAC		
CCT		3000K		
CRI		90 CRI		
LED LIFETIME		>50000		
L70				
AVERAGE BULB HOURS				
FIELD SERVICEABLE LED				
LAMP BASE		Integrated LED		
LAMP SHAPE		Integrated LED		
LAMP INCLUDED?		True		
WARRANTY**		5 Years		

* Dimming information available at www.techlighting.com/Downloads#dimming

** Visit techlighting.com for specific warranty limitations and details.

T20 / T24 / JA8 INFORMATION

	Integrated LED	Replacement LED Lamp	No Lamp *
This product can be used to comply with California Building Energy Efficiency Standards 2016 Title 24 Part 6 / JA8.	Yes		
This product can be used to comply with California Appliance Efficiency Standards 2016 Title 20 and may be shipped to and sold in California.	N/A		

* If a light fixture or component does not include a lamp or light source, it is the responsibility of the customer to select a lamp that meets the T24 and T20 requirements.

