

Kai Pendant

700TDKAI_ 1.3

TECH LIGHTING® PENDANTS

GENERAL PRODUCT INFORMATION: 

This product is suitable for indoor locations.

This product can be dimmed with a standard electronic dimmer.

This instruction shows a typical installation.

CAUTION - RISK OF FIRE
This product must be installed in accordance with the applicable installation code by a person familiar with the construction and operation of the product and the hazards involved.
Use minimum 90°C supply conductors.

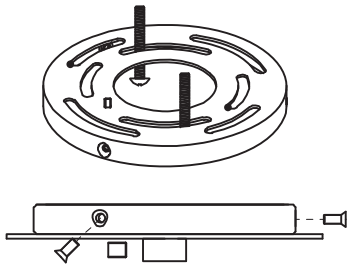
SAVE THESE INSTRUCTIONS!



 **TECH LIGHTING**
7400 Linder Ave., Skokie, IL 60077
T 847.410.4400 | F 847.410.4500
www.techlighting.com

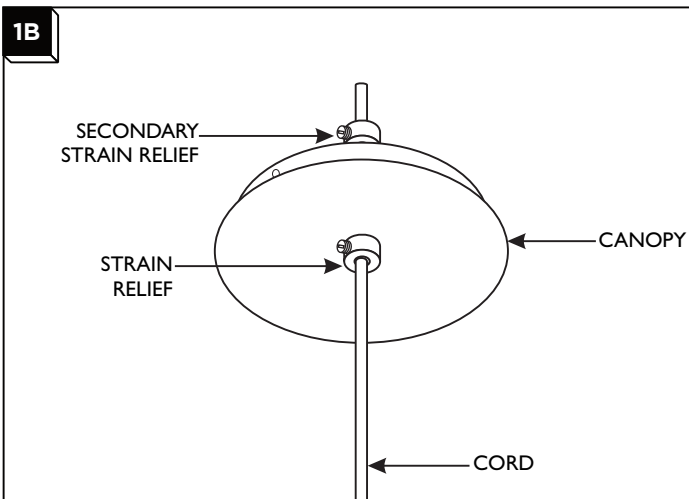
Adjust the pendant

1A



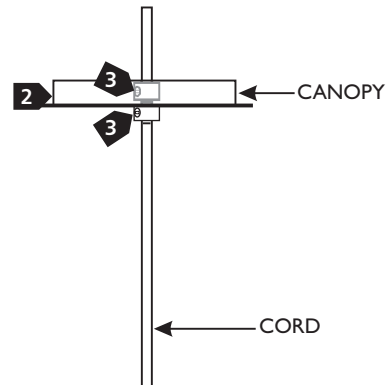
- 1 Remove the set screws from the canopy, then remove the mounting plate.

1B



- 2 Feed the cord through the strain relief, canopy and secondary strain relief.

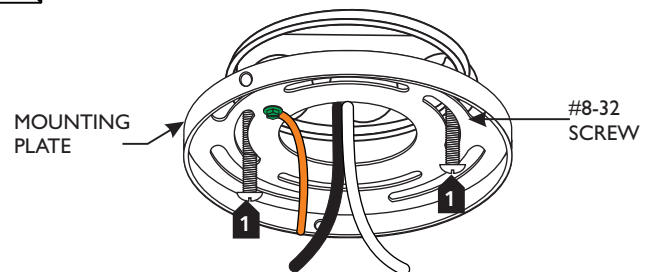
1C



- 3 Adjust the fixture height (from bottom of the fixture shade to top of the canopy) by moving the canopy and strain reliefs up or down.
- 4 When the desired height is achieved, tighten the set screw on the strain relief and secondary strain relief.

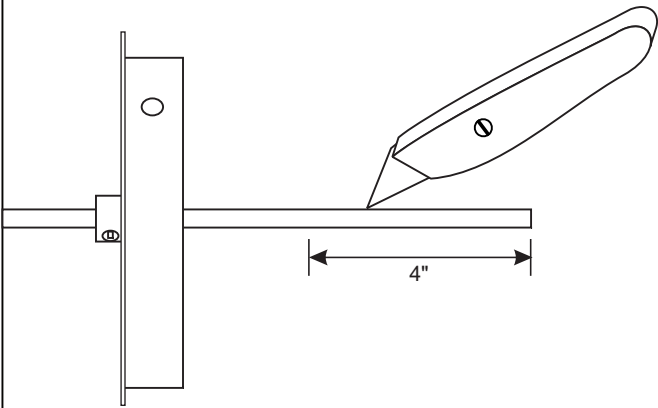
Install the Canopy

2A



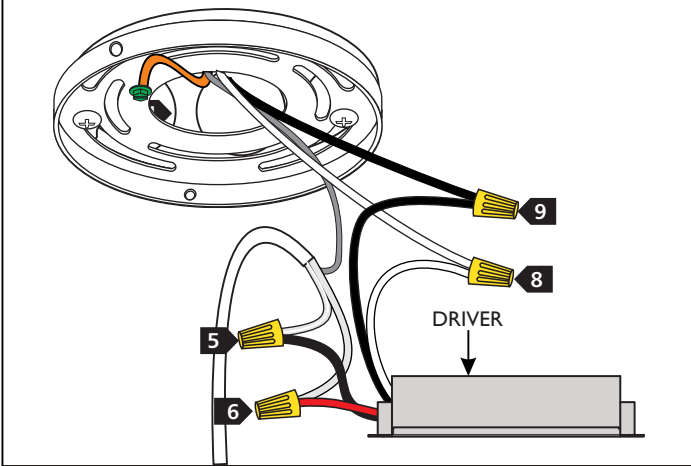
- 1 Mount the mounting plate to the electrical box with the two provided #8-32 screws.

2B



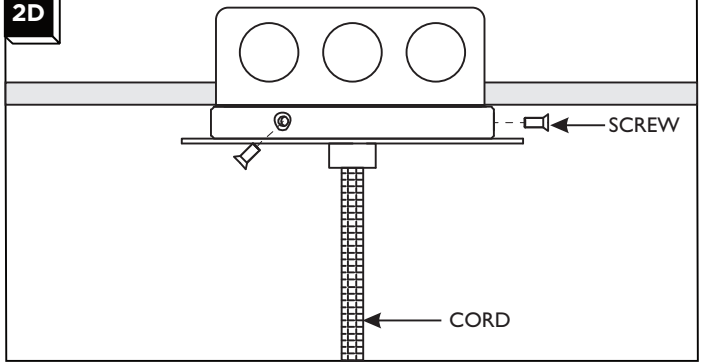
- 2 Leave 6" of the cord behind the canopy for power connections. Cut the excess cord.
- 3 From the end of the cord, strip the insulation 4" using a sharp knife. Make sure not to nick the inner wires.
- 4 Strip the end of the wires.

2C



- 5 Connect the negative (black) driver wire to the pendant wire with white tracer with a wire nut.
- 6 Connect the positive (red) driver wire to the remaining pendant wire with a wire nut.
- 7 Connect the fixture and the crossbar ground wire to a suitable ground in accordance with local electrical codes.
- 8 Connect the white driver wire to the neutral power line wire with a wire nut.
- 9 Connect the black driver wire to the hot power line wire with a wire nut.

2D



- 9 Place all wires, wire nut connections, driver properly inside the junction box.
- 10 Lift the canopy up against the ceiling and secure it in place by tightening the screws.

