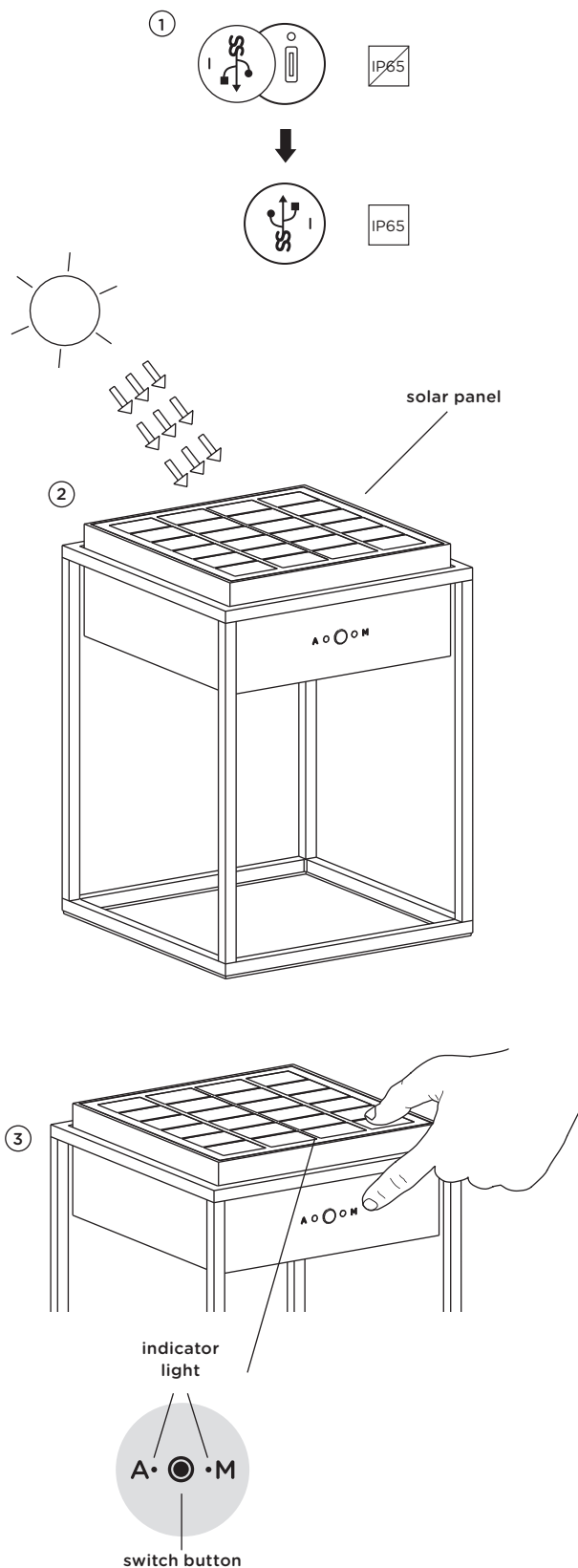


## qua

### instructions for use

1. Before using the luminaire for the first time, the battery has to be fully charged with the **USB-C-cable** on the underside of the luminaire, until the indicator light turns green (100% after approx. 7 hours charging time). The indicator light shines red during the charging process. The charging process has to be made indoors. The protection class IP65 is guaranteed, when the USB-C-charging socket is covered again by the USB-C-cover after the charging process (picture 1).
2. Press the switch button for about 3 seconds to enter the desired mode **Manual** or **Automatic** (picture 3):
  - 2.1 **Manual mode** -> indicator light **M** is activated: Switching on/off and dimming in stages:
    - Level 1 -> switching on the luminaire and 25% of the maximum light intensity
    - Level 2 -> 50% of the maximum light intensity
    - Level 3 -> maximum light intensity
    - Level 4 -> switching off the luminaire
  - 2.2 **Automatic mode** -> indicator light **A** is activated: twilight function, i.e. automatic light up at dusk for a duration of approx. 5 hours (with a fully charged battery). By briefly pressing the switch button again, the dimming function according to 2.1 can be used at the same time.
  - 2.3 By pressing the switch button for a longer time, it is possible to switch from Automatic mode **A** to Manual mode **M** in order to switch and dim the luminaire independently of the twilight.
- 3.1 **USB-C-charging function:** see point 1.
- 3.2 **Solar charging function:** Place the luminaire outdoors in a position exposed to direct sunlight and illuminate the luminaire **constantly by direct sunlight**, so that the battery of the luminaire can be charged (picture 2). In autumn/winter months the function may be limited, as the position of the sun is not as high depending on the region and potential prolonged shading. Make sure that the solar panel is free of foliage, leaves, branches, dirt and deposits to achieve an optimal charging result.
4. With a fully charged battery the luminaire can be used as follows:
  - approx. 7 hrs. at 100% (level 3)
  - approx. 14 hrs. at 50% (level 2)
  - approx. 32 hrs. at 25% (level 1)



## technical information:

LED / 2700K

system performance: 2,1 W/75 lm

lithium-ion battery 2x 2000 mAh

solar panel

2 m USB-C-cable (included)

5V DC 1,5A USB-charger (not included)



IP65 protection class



safety class 3



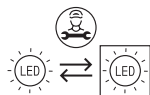
luminaire is suitable for mounting on normal inflammable fixing surfaces.



conformity mark



## maintenance:



This product contains built-in LED lamps and a battery. These can be replaced by IP44.DE in case of a failure. In this case, please get in touch with your retailer.

## care:

Regularly clean luminaire from dirt and deposits. Do not use a high pressure cleaner for cleaning. Please note care instructions at [www.IP44.de](http://www.IP44.de).

## safety:

We assume no accountability for damages which are a result of non-appropriate mounting or application of the luminaire. Modifications on the luminaire will result in loss of warranty.

## instruction:

The luminaire may not come into contact with highly acidic or alkaline soils, or with other aggressive substances, chemicals or fertilizer.

## FAQs:

You will find answers to frequently asked questions about the product on our website [www.IP44.de](http://www.IP44.de).