

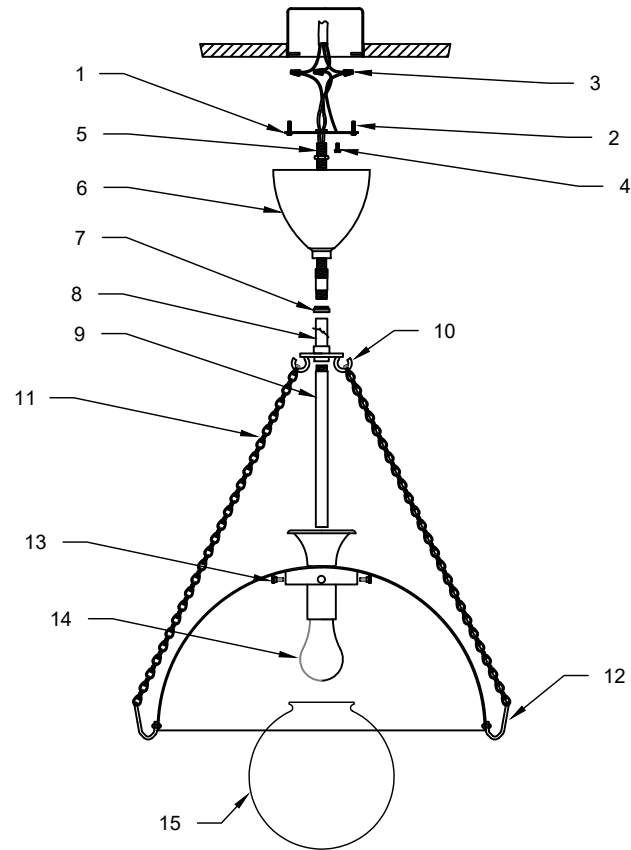
ITEM	DESCRIPTION	PART NUMBER
1	CROSSBAR	XBR-001218
2	MOUNTING SCREW	SCR-001218-M
3	WIRE NUT	NUT-001218
4	GROUND SCREW	SCR-001218-G
5	1/2" NIPPLE WITH SCREW COLLAR LOOP	NIP-001218
6	CANOPY	CPY-001218
7	SCREW COLLAR	SCL-001218
8	EXTENSION STEM 3", 6", 12", 18"x2	STM-121803, 06, 12, 18
9	10" STEM	STM-121810
10	TRI HOOK PLATE	HRD-001218
11	CHAIN	CHN-001218
12	HOOK	MIS-001218
13	BRASS SCREW	SCR-001218
14	BULB	NOT INCLUDED
15	GLASS SHADE	GLS-001218

**⚠ WARNING/CAUTION**

- **DISCONNECT POWER BEFORE RE-LAMPING OR WIRING THE FIXTURE. READ ALL INSTRUCTIONS COMPLETELY BEFORE STARTING INSTALLATION.**
- **TO AVOID THE RISK OF FIRE OR SHOCK, FIXTURE MUST BE INSTALLED IN COMPLIANCE WITH ALL APPLICABLE NATIONAL AND LOCAL ELECTRICAL/BUILDING CODES. THE INSTALLATION AND MAINTENANCE OF THIS UNIT SHOULD BE COMPLETED BY A LICENSED ELECTRICIAN OR CERTIFIED FACTORY TRAINED TECHNICIAN.**
- **CALIFORNIA PROP 65: THIS LIGHTING FIXTURE CONTAINS CHEMICALS KNOWN TO THE STATE OF CALIFORNIA TO CAUSE CANCER, BIRTH DEFECTS, AND/OR OTHER REPRODUCTIVE HARM. WASH HANDS AFTER USE.**
- **REMOVE THE FIXTURE, PARTS AND PARTS BAG(S) FROM THE CARTON. BEFORE DISCARDING THE CARTON, DOUBLE CHECK TO MAKE CERTAIN THAT ALL PARTS ARE FOUND. INSPECT THE FIXTURE PRIOR TO INSTALLATION FOR ANY DAMAGE TO THE FIXTURE.**
- **DIMMING: THE FIXTURE CAN BE CONTROLLED BY A WALL DIMMING DEVICE. ONLY USE TRIAC/ELECTRONIC DIMMER. MAKE SURE THE CARTON IS MARKED FOR USE WITH LED COMPACT FLUORESCENT-INCANDESCENT LIGHT SOURCE ONLY. THESE CAN BE PROVIDED BY YOUR LOCAL ELECTRICAL DISTRIBUTOR, HOME CENTER, OR HARDWARE STORE.**
- **PLEASE CLEAN WITH A SOFT, DRY CLOTH ONLY! DO NOT USE CLEANSERS**

**FIXTURE INSTALLATION**

1. Thread the 10" STEM (9) into the TRI HOOK PLATE (10) and add the EXTENSION STEMS (8) to the opposite side of the 10" STEM (9) as shown in the image on left. Keep adding the EXTENSION STEMS (8) until your desired height is met.
2. Pull the wire out from the junction box, and install the CROSS BAR (1) onto the junction box using the MOUNTING SCREWS (2). This fixture is designed to be mounted on standard round or octagon junction box. The junction box must be securely mounted to the structure of the building.
3. Slide the CANOPY (6) with SCREW COLLAR (7) through the top of the EXTENSION STEMS (8).
4. Feed the wire through the 10" STEM (9), EXTENSION STEMS (8), SCREW COLLAR (7), CANOPY (6), 1/2" NIPPLE WITH SCREW COLLAR LOOP (5) and CROSS BAR (1), and MOUNTING SCREWS (2) the 1/2" NIPPLE WITH SCREW COLLAR LOOP (5) onto the CROSS BAR (1).
5. MOUNTING SCREWS (2) the EXTENSION STEMS (8) into the 1/2" NIPPLE WITH SCREW COLLAR LOOP (5).
6. Trim off the excess wire to a minimum 6" beyond the STEM and strip each wire 5/8".
7. Attach the Ground wire (Green) to the ground inside the outlet box (Generally green or bar copper wire) or the GROUND SCREW (4) on the CROSS BAR (1). **NEVER CONNECT GROUND WIRE TO "HOT" WIRE! FAILURE TO FOLLOW THIS COULD RESULT IN SERIOUS INJURY OR DEATH!**
8. Connect the white fixture lead to the neutral (Generally white) wire in the outlet box. Fasten the wires together with an approved fastener (WIRE NUT) (3). Starting 1" below the fastener, tightly wrap the connection with electrical tape so that the connections seals the end of the fastener. **MAKE SURE THERE ARE NO EXPOSED WIRE OF STRANDS THAT COULD CAUSE A DANGEROUS SHORT CIRCUIT!**
9. Connect the black fixture leads to the hot (Generally black) wire in the outlet box. Fasten the joined wires same as previous step. **NEVER REVERSE HOT AND NEUTRAL WIRES. FAILURE TO FOLLOW THIS COULD RESULT IN SERIOUS INJURY OR DEATH!**
10. Push the wires back into the junction box. Lift up the CANOPY (6) and secure it with the SCREW COLLAR (7).
11. Now with the help of the Chains hang the fixture assembly to the already installed TRI HOOK PLATE (10).
12. Screw the BULB (14) up into the socket of the fixture. **THIS FIXTURE IS RATED FOR 75 WATT LAMP. DO NOT EXCEED THE RECOMMENDED WATTAGE!**
13. Install the GLASS SHADE (15) and secure it by using 4 BRASS SCREWS (13).
14. Restore power to the outlet at the breaker or fuse box.



ITEM	DESCRIPTION	PART NUMBER
1	CROSSBAR	XBR-001218
2	MOUNTING SCREW	SCR-001218-M
3	WIRE NUT	NUT-001218
4	GROUND SCREW	SCR-001218-G
5	1/2" NIPPLE WITH SCREW COLLAR LOOP	NIP-001218
6	CANOPY	CPY-001218
7	SCREW COLLAR	SCL-001218
8	EXTENSION STEM 3", 6", 12", 18"x2	STM-121803, 06, 12, 18
9	10" STEM	STM-121810
10	TRI HOOK PLATE	HRD-001218
11	CHAIN	CHN-001218
12	HOOK	MIS-001218
13	BRASS SCREW	SCR-001218
14	BULB	NOT INCLUDED
15	GLASS SHADE	GLS-001218

## ⚠ ATTENTION PRUDENCE

- DÉBRANCHEZ L'ALIMENTATION AVANT DE REMPLIR OU DE CÂBLER LE LUMINAIRE. LISEZ COMPLÈTEMENT TOUTES LES INSTRUCTIONS AVANT DE COMMENCER L'INSTALLATION
- POUR ÉVITER LE RISQUE D'INCENDIE OU D'ÉLECTROCUTION, LE LUMINAIRE DOIT ÊTRE INSTALLÉ CONFORMÉMENT À TOUS LES CODES ÉLECTRIQUES/DE CONSTRUCTION NATIONAUX ET LOCAUX APPLICABLES. L'INSTALLATION ET L'ENTRETIEN DE CET APPAREIL DOIVENT ÊTRE EFFECTUÉS PAR UN ÉLECTRICIEN AGRÉÉ OU UN TECHNICIEN CERTIFIÉ FORMÉ EN USINE.
- CALIFORNIE PROP 65 : CET APPAREIL D'ÉCLAIRAGE CONTIENT DES PRODUITS CHIMIQUES CONNUS PAR L'ÉTAT DE CALIFORNIE POUR PROVOQUER LE CANCER, DES MALADIES CONGÉNITALES ET/OU D'AUTRES DOMMAGES À LA REPRODUCTION. LAVER LES MAINS APRÈS UTILISATION.
- RETIRER LE LUMINAIRE, LES PIÈCES ET LE(S) SAC(S) DE PIÈCES DU CARTON. AVANT DE JETER LE CARTON, VÉRIFIEZ DOUBLE POUR VOUS ASSURER QUE TOUTES LES PIÈCES SONT TROUVÉES. INSPECTER LE LUMINAIRE AVANT L'INSTALLATION POUR TOUT DOMMAGE AU LUMINAIRE.
- GRADATION : LE LUMINAIRE PEUT ÊTRE CONTRÔLÉ PAR UN DISPOSITIF DE GRADATION MURALE. UTILISER UNIQUEMENT UN GRADATEUR TRIAC/ÉLECTRONIQUE. ASSUREZ-VOUS QUE LE CARTON EST MARQUÉ POUR UNE UTILISATION AVEC UNE SOURCE DE LUMIÈRE FLUORESCENTE À INCANDESCENTE COMPACTE UNIQUEMENT. CEUX-CI PEUVENT ÊTRE FOURNIS PAR VOTRE DISTRIBUTEUR ÉLECTRIQUE LOCAL, CENTRE À DOMICILE OU MAGASIN DE QUINCAILLERIE.
- VEUILLEZ NETTOYER UNIQUEMENT AVEC UN CHIFFON DOUX ET SEC ! N'UTILISEZ PAS DE NETTOYANTS

## FIXTURE INSTALLATION

1. Thread the 10" STEM (9) into the TRI HOOK PLATE (10) and add the EXTENSION STEMS (8) to the opposite side of the 10" STEM (9) as shown in the image on left. Keep adding the EXTENSION STEMS (8) until your desired height is met.
2. Pull the wire out from the junction box, and install the CROSS BAR (1) onto the junction box using the MOUNTING SCREWS (2). This fixture is designed to be mounted on standard round or octagon junction box. The junction box must be securely mounted to the structure of the building.
3. Slide the CANOPY (6) with SCREW COLLAR (7) through the top of the EXTENSION STEMS (8).
4. Feed the wire through the 10" STEM (9), EXTENSION STEMS (8), SCREW COLLAR (7), CANOPY (6), 1/2" NIPPLE WITH SCREW COLLAR LOOP (5) and CROSS BAR (1), and MOUNTING SCREWS (2) the 1/2" NIPPLE WITH SCREW COLLAR LOOP (5) onto the CROSS BAR (1).
5. MOUNTING SCREWS (2) the EXTENSION STEMS (8) into the 1/2" NIPPLE WITH SCREW COLLAR LOOP (5).
6. Trim off the excess wire to a minimum 6" beyond the STEM and strip each wire 5/8".
7. Attach the Ground wire (Green) to the ground inside the outlet box (Generally green or bar copper wire) or the GROUND SCREW (4) on the CROSS BAR (1). **NEVER CONNECT GROUND WIRE TO "HOT" WIRE! FAILURE TO FOLLOW THIS COULD RESULT IN SERIOUS INJURY OR DEATH!**
8. Connect the white fixture lead to the neutral (Generally white) wire in the outlet box. Fasten the wires together with an approved fastener (WIRE NUT) (3). Starting 1" below the fastener, tightly wrap the connection with electrical tape so that the connections seals the end of the fastener. **MAKE SURE THERE ARE NO EXPOSED WIRE OF STRANDS THAT COULD CAUSE A DANGEROUS SHORT CIRCUIT!**
9. Connect the black fixture leads to the hot (Generally black) wire in the outlet box. Fasten the joined wires same as previous step. **NEVER REVERSE HOT AND NEUTRAL WIRES. FAILURE TO FOLLOW THIS COULD RESULT IN SERIOUS INJURY OR DEATH!**
10. Push the wires back into the junction box. Lift up the CANOPY (6) and secure it with the SCREW COLLAR (7).
11. Now with the help of the Chains hang the fixture assembly to the already installed TRI HOOK PLATE (10).
12. Screw the BULB (14) up into the socket of the fixture. **THIS FIXTURE IS RATED FOR 75 WATT LAMP. DO NOT EXCEED THE RECOMMENDED WATTAGE!**
13. Install the GLASS SHADE (15) and secure it by using 4 BRASS SCREWS (13).
14. Restore power to the outlet at the breaker or fuse box.

Questions? We're here to help!

Contact us at [CustomerService@hvlgroup.com](mailto:CustomerService@hvlgroup.com)