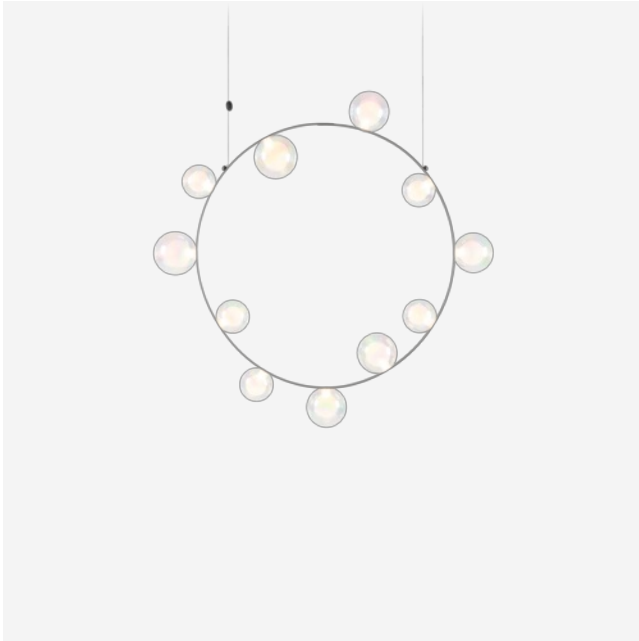


m o o o i

# Hubble Bubble

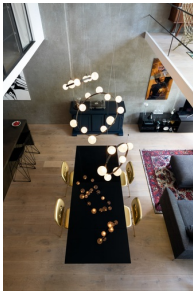
MARCEL WANDERS STUDIO | POWERED THROUGH ELECTROSANDWICH® BY MARCEL WANDERS



Hubble Bubble, designed by Marcel Wanders studio, is an airy and joyful suspension lamp. Available in two sizes, with either 7 or 11 glass LED bubbles in oil-iridescent or frosted versions. Hubble Bubble can be hung both horizontally and vertically and is powered through Electrosandwich® by Marcel Wanders. Hubble Bubble is the cheery statement piece in your home that can hang from any angle.

---

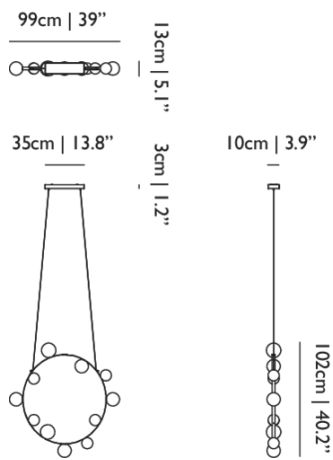
## *Detailing*



Hubble Bubble is powered through Electrosandwich® technology, so the bubbles don't need any additional wiring

# Hubble Bubble / 11

## Dimensions



## Product

**WIDTH** 99cm | 39"  
**HEIGHT** 102cm | 40.2"  
**DEPTH** 10cm | 3.9"  
**WEIGHT NETTO** 1.5kg | 3.31lbs

## Packaging

**WIDTH** 86.3cm | 34"  
**HEIGHT** 15cm | 5.9"  
**CUBAGE** 0.12m<sup>3</sup> | 4.17ft<sup>3</sup>  
**LENGTH** 91.3cm | 35.9"  
**WEIGHT** 1.5kg | 3.31lbs

## Technical CE

### MATERIAL

Metal frame, polycarbonate light guides and glass bulbs

### ENERGY LABEL

Energy Label B

### LIGHTSOURCE TYPE

LED

### NUMBER OF LIGHTSOURCES

11

### INPUT VOLTAGE

220-240

### MAX POWER CONSUMPTION

20W

### LAMPHOLDER

LED (Solid state)

### CABLE COLOUR

Transparent with tinned cores

### CANOPY

Matching metal rectangle

### CRI

93

### LIGHT OUTPUT

530 lm

### INSTALLATION REQUIRED

Yes

### LIGHTSOURCE INCLUDED

Yes

### SHAPE

Round

### FREQUENCY

50/60

### DIMMABLE

Yes

### LIFETIME

50000 hours

### CABLE LENGTH

250cm | 98.4"

### COLOUR TEMPERATURE

2700 K

### LIGHT DIRECTION

All directions

### EEI

0.43

**EFFICIENCY**  
26.5 lm/W

**MEASURED POWER CONSUMPTION**  
17W

---

### *Technical cULus*

**MATERIAL**

Metal frame, polycarbonate light guides and glass bulbs

**ENERGY LABEL**

Energy Label B

**INSTALLATION REQUIRED**

Yes

**LIGHTSOURCE TYPE**

LED

**LIGHTSOURCE INCLUDED**

Yes

**NUMBER OF LIGHTSOURCES**

11

**SHAPE**

Round

**INPUT VOLTAGE**

110-130

**FREQUENCY**

50/60

**MAX POWER CONSUMPTION**

20W

**DIMMABLE**

Yes

**LAMPHOLDER**

LED (Solid state)

**LIFETIME**

50000 hours

**CABLE COLOUR**

Transparent with tinned cores

**CABLE LENGTH**

250cm | 98.4"

**CANOPY**

Matching metal rectangle

**COLOUR TEMPERATURE**

2700 K

**CRI**

93

**LIGHT DIRECTION**

All directions

**LIGHT OUTPUT**

530 lm

**EEI**

0.43

**EFFICIENCY**

26.5 lm/W

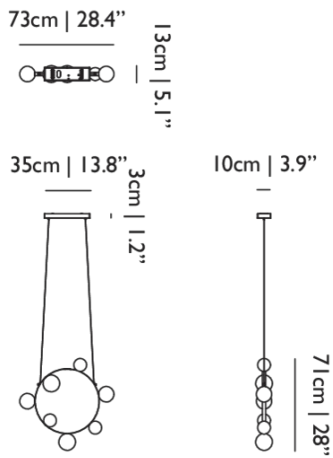
**MEASURED POWER CONSUMPTION**

17W

---

# Hubble Bubble / 7

## Dimensions



## Product

**WIDTH** 73cm | 28.7"  
**HEIGHT** 71cm | 28"  
**DEPTH** 10cm | 3.9"  
**WEIGHT NETTO** 1.2kg | 2.65lbs

## Packaging

**WIDTH** 61cm | 24"  
**HEIGHT** 15cm | 5.9"  
**CUBAGE** 0.06m<sup>3</sup> | 1.97ft<sup>3</sup>  
**LENGTH** 61cm | 24"  
**WEIGHT** 1.2kg | 2.65lbs

## Technical CE

### MATERIAL

Metal frame, polycarbonate light guides and glass bulbs

### ENERGY LABEL

Energy Label B

### LIGHTSOURCE TYPE

LED

### NUMBER OF LIGHTSOURCES

7

### INPUT VOLTAGE

220-240

### MAX POWER CONSUMPTION

10W

### LAMPHOLDER

LED (Solid state)

### CABLE COLOUR

Transparent with tinned cores

### CANOPY

Matching metal rectangle

### CRI

93

### LIGHT OUTPUT

306 lm

### INSTALLATION REQUIRED

Yes

### LIGHTSOURCE INCLUDED

Yes

### SHAPE

Round

### FREQUENCY

50/60

### DIMMABLE

Yes

### LIFETIME

50000 hours

### CABLE LENGTH

250cm | 98.4"

### COLOUR TEMPERATURE

2700 K

### LIGHT DIRECTION

All directions

### EEI

0.33

**EFFICIENCY**  
30.6 lm/W

**MEASURED POWER CONSUMPTION**  
7W

---

*Technical cULus*

**MATERIAL**

Metal frame, polycarbonate light guides and glass bulbs

**ENERGY LABEL**

Energy Label B

**INSTALLATION REQUIRED**

Yes

**LIGHTSOURCE TYPE**

LED

**LIGHTSOURCE INCLUDED**

Yes

**NUMBER OF LIGHTSOURCES**

7

**SHAPE**

Round

**INPUT VOLTAGE**

110-130

**FREQUENCY**

50/60

**MAX POWER CONSUMPTION**

10W

**DIMMABLE**

Yes

**LAMPHOLDER**

LED (Solid state)

**LIFETIME**

50000 hours

**CABLE COLOUR**

Transparent with tinned cores

**CABLE LENGTH**

250cm | 98.4"

**CANOPY**

Matching metal rectangle

**COLOUR TEMPERATURE**

2700 K

**CRI**

93

**LIGHT DIRECTION**

All directions

**LIGHT OUTPUT**

306 lm

**EEI**

0.33

**EFFICIENCY**

30.6 lm/W

**MEASURED POWER CONSUMPTION**

7W

---

*Hubble Bubble / Spheres 11*

*Dimensions*

*Product*

*Packaging*

**WIDTH** 99cm | 39"

**WIDTH** 25.5cm | 10"

**HEIGHT** 102cm | 40.2"

**HEIGHT** 31cm | 12.2"

**DEPTH** 10cm | 3.9"

**CUBAGE** 0.07m<sup>3</sup> | 2.37ft<sup>3</sup>

**WEIGHT NETTO** 1kg | 2.2lbs

**LENGTH** 85cm | 33.5"

**WEIGHT** 1kg | 2.2lbs

## *Technical*

### **MATERIAL**

Metal frame, polycarbonate light guides and glass bulbs

---

# *Hubble Bubble / Spheres 7*

## *Dimensions*

## *Product*

## *Packaging*

**WIDTH** 73cm | 28.7"

**HEIGHT** 71cm | 28"

**DEPTH** 10cm | 3.9"

**WEIGHT NETTO** 1kg | 2.2lbs

**WIDTH** 27cm | 10.6"

**HEIGHT** 32cm | 12.6"

**CUBAGE** 0.05m<sup>3</sup> | 1.92ft<sup>3</sup>

**LENGTH** 63cm | 24.8"

**WEIGHT** 1kg | 2.2lbs

---

## *Technical*

### **MATERIAL**

Metal frame, polycarbonate light guides and glass bulbs

---

# *Dimmer*

For fluent dimming behaviour we advise a dimmer that is compatible with the following specs.

Please note the functioning of the dimmer and the power supply combination can never be predicted, it always needs to be tested in practice.

### **DIMMER TYPE**

Mains dimmable (trailing edge / reverse phase)

### **LOAD TYPE**

Capacitive load (C-Type)

---