

# Installation Instructions

**A472**

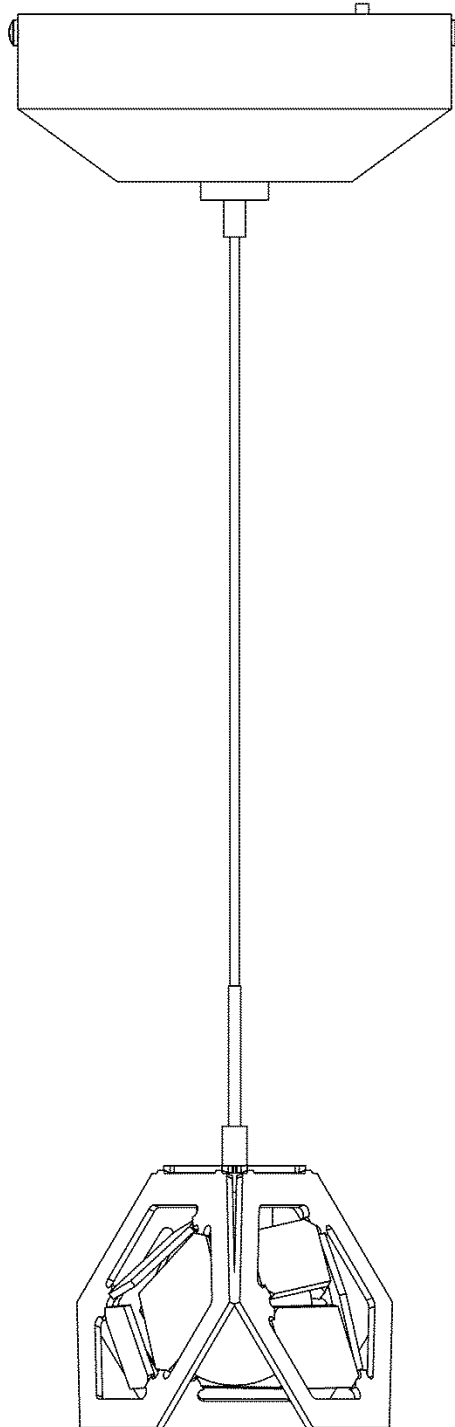
Winter Pendant 161175

Page 1 of 5

**CAUTION:** FAILURE TO INSTALL THIS FIXTURE PROPERLY MAY RESULT IN SERIOUS PERSONAL INJURY OR DEATH AND PROPERTY DAMAGE. We recommend installation by a licensed electrician.

This product must be installed in accordance with applicable installation code(s), by a person familiar with the construction and operation of the product and the hazards involved.\*

**Caution:** Do not exceed maximum wattage noted on fixture. Use only recommended bulbs with fixture.



## Component List

|          |                                |
|----------|--------------------------------|
| <b>A</b> | <b>Crossbar</b>                |
| <b>B</b> | <b>Cupped Washer</b>           |
| <b>C</b> | <b>Ground Screw</b>            |
| <b>D</b> | <b>Canopy</b>                  |
| <b>E</b> | <b>#8 Screws (2)</b>           |
| <b>F</b> | <b>Canopy Gripper</b>          |
| <b>G</b> | <b>Supply/Support Cable</b>    |
| <b>H</b> | <b>Fixture</b>                 |
| <b>I</b> | <b>Screws with Lock Washer</b> |
| <b>J</b> | <b>Canopy Plate</b>            |
| <b>K</b> | <b>Bulb (Not Included)</b>     |
| <b>L</b> | <b>Glass</b>                   |
| <b>M</b> | <b>Socket</b>                  |



# Installation Instructions

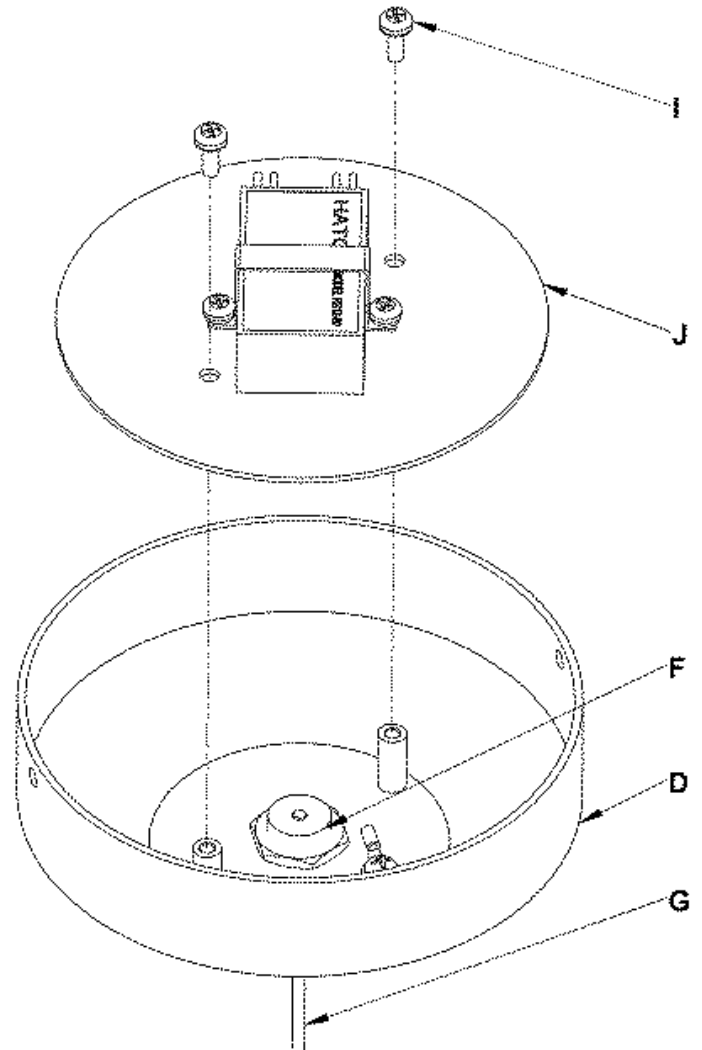
Winter Pendant 161175

**A472**

Page 4 of 5

8. Raise canopy (D) close to ceiling. Align holes in canopy (D) with holes in crossbar (A) and secure with (2) #8 screws (E).
9. If fixture height needs to be adjusted to achieve desired height, push up on canopy gripper (F) and gently pull down/push up on supply/support cable (G).

**Note:** Excessive movement of cable through the gripper could cause cable to fray slightly. Usage of the cable gripper is not recommended to frequently adjust the fixture up and down in height.



(Figure 2)

# Installation Instructions

Winter Pendant 161175

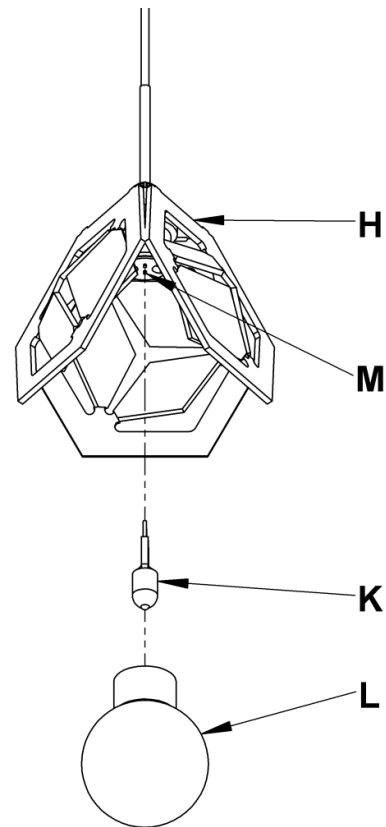
**A472**

Page 5 of 5

## To Install Glass (Figure 3)

**Caution: Be sure power is off at the main breaker box prior to installation**

1. Install bulb (K), not included, into socket (M).
2. Raise glass (L) into fixture (H) and thread glass (L) onto socket (M) until it stops, being careful not to over tighten. (Figure 3)
3. Restore electricity at main breaker.



(Figure 3)

*If you need further assistance, or find that you are missing any parts, please contact the dealer from which you purchased this product. We hope you enjoy your fixture!*

\* Hubbardton Forge will not be liable for injury or damage caused by improper installation, lamping or use of this fixture.