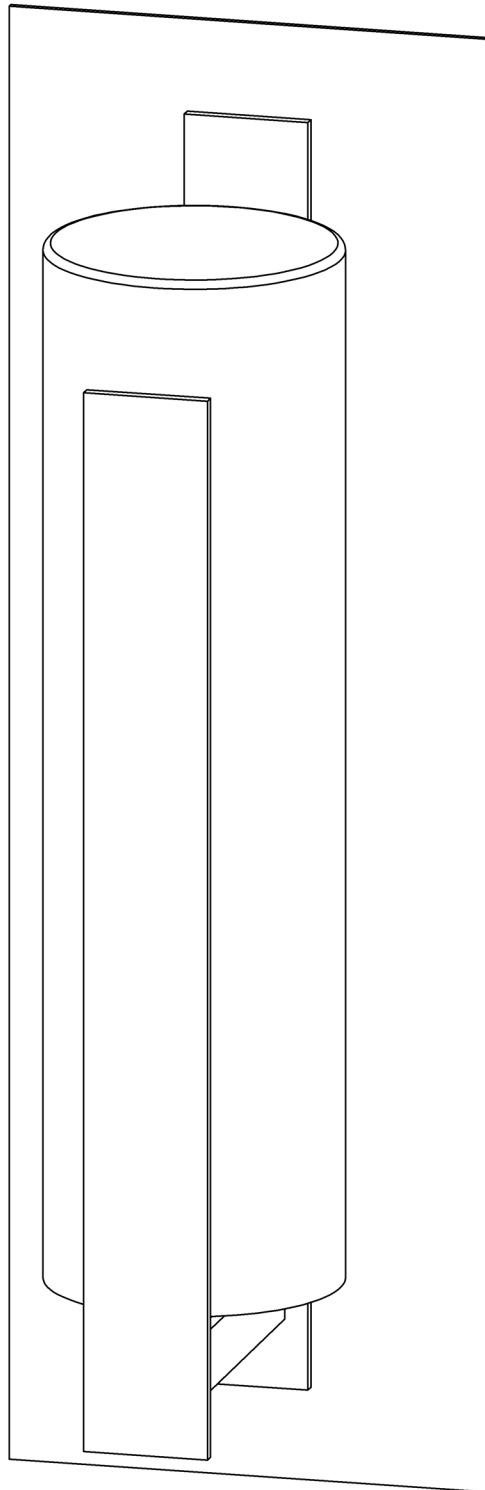


ASSEMBLY & INSTALLATION INSTRUCTIONS

B422

Vertical Bar Outdoor Sconce with Fluted Glass Med 307282



HUBBARDTON FORGE.

MODERN AMERICAN BLACKSMITHS | FINE, HAND CRAFTED LIGHTING
CASTLETON, VERMONT USA | HUBBARDTONFORGE.COM

Component Parts

| | |
|----------|------------------------|
| A | Fixture |
| B | Cap |
| C | Threaded Nipple |
| D | Lock Nut |
| E | Crossbar |
| F | Ground Screw |
| G | Caulking Lip |
| H | Socket |
| I | Cup |
| J | Inner Glass |
| K | Oring (2) |
| L | Outer Glass |
| M | Brace |
| N | Holder |



ASSEMBLY & INSTALLATION INSTRUCTIONS

B422

Vertical Bar Outdoor Sconce with Fluted Glass Med 307282

CAUTION: FAILURE TO INSTALL THIS FIXTURE PROPERLY MAY RESULT IN SERIOUS PERSONAL INJURY OR DEATH AND PROPERTY DAMAGE. We recommend installation by a licensed electrician. This product must be installed in accordance with applicable installation code(s), by a person familiar with the construction and operation of the product and the hazards involved.*

Caution: Do not exceed maximum wattage noted on fixture. Use only recommended bulbs with fixture.

Please Note: After installation extra hardware and accessories are possible; our kits are used on multiple products and options.

To Install Fixture (Figures 1 & 2)

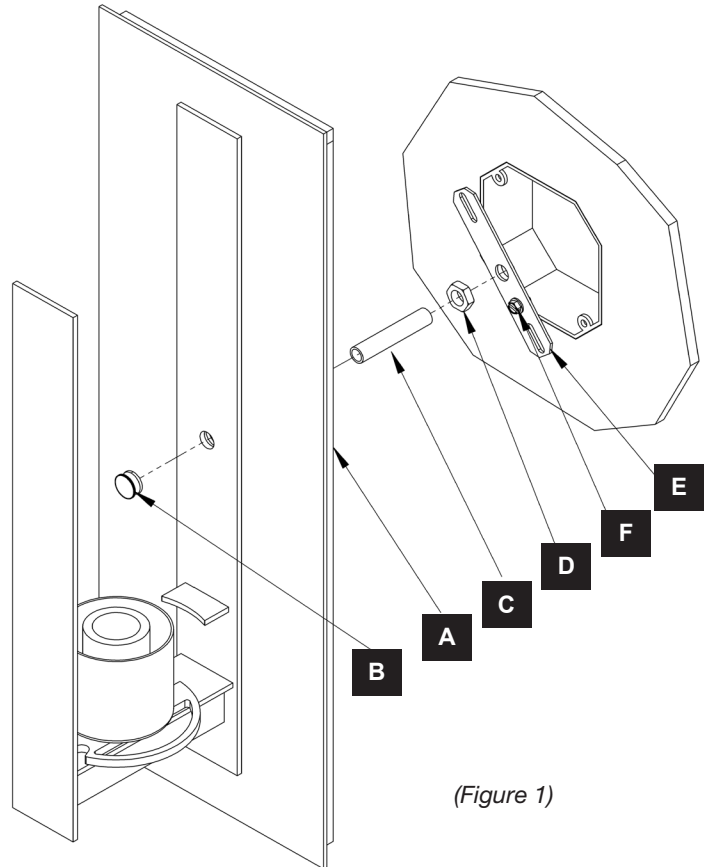
CAUTION: BE SURE POWER IS OFF AT THE MAIN BREAKER BOX PRIOR TO INSTALLATION.

1. Carefully unpack the fixture (A) from the carton.
2. Using two machine screws (not provided) attach crossbar (E) to the electric box.

Note: A new electric box comes with screws. When replacing a fixture, retain the screws for use with the new fixture.

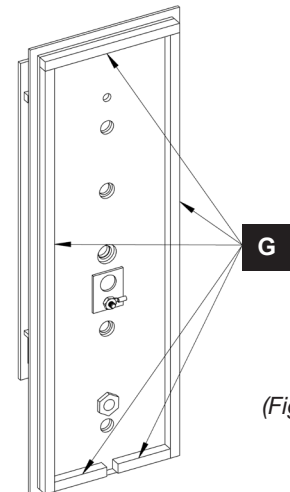
3. Thread the nipple (C) into the crossbar (E) and secure with lock nut (D). Adjust the nipple to proper length to ensure the fixture will fit snugly to the wall.
4. Attach a pigtail lead to the ground screw (F) on the crossbar (E).
5. Using suitable wire connectors (not provided), connect the fixture wires to the supply wires, (white to white, black to black). Connect all ground wires together.

CAUTION: MAKE SURE WIRE CONNECTORS ARE TWISTED ON SECURELY AND NO BARE WIRES ARE EXPOSED.



(Figure 1)

6. Apply a generous bead of a suitable caulking material to caulking lip (G) on the fixture (Figure 2).
7. Carefully tuck all wires behind the fixture. Place fixture (A) over threaded nipple (C) and tighten firmly to mounting surface using cap (B).
8. Complete steps on following page to install glass.



(Figure 2)

To Install Glass (Figure 3)

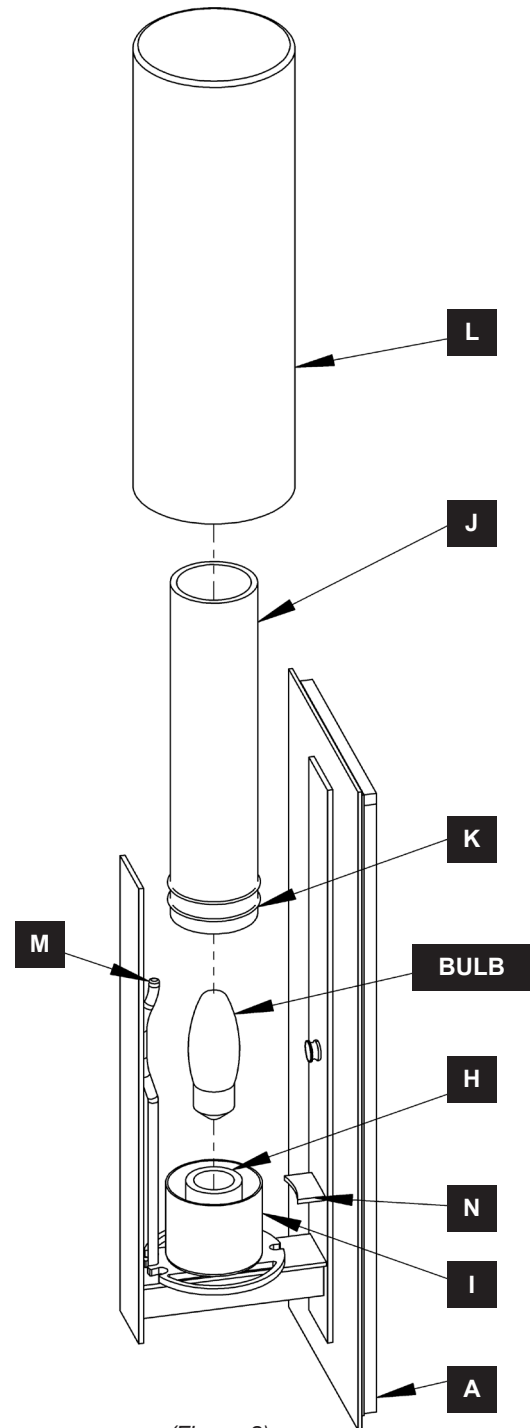
1. Unpack both inner and outer glass (J & L) and locate o-rings (K) found in kit bag.
2. Stretch o-rings (K) over one end of inner glass (J). Position just slightly above bottom of glass (see figure 3).
3. Install bulb (not included) into socket (H).
4. Place inner glass (J) over the bulb.
5. Slide inner glass (J) with o-ring into cup (I) until it hits bottom of cup.

Note: Be sure o-rings slide into cup. It may be necessary to rotate glass or push on o-ring to allow them to slide into cup evenly.

6. Slide outer glass (L) over inner glass (J) until it rests on fixture (A).

Note: Outer glass (L) needs to slide over brace (M) and inside holder (N). Brace (M) will apply pressure on the glass to hold secure against fixture.

7. Restore electricity at main breaker.



(Figure 3)

If you need further assistance, or find that you are missing any parts, please contact the dealer from which you purchased this product. We hope you enjoy your fixture!

*** Hubbardton Forge will not be liable for injury or damage caused by improper installation, lamping or use of this fixture.**