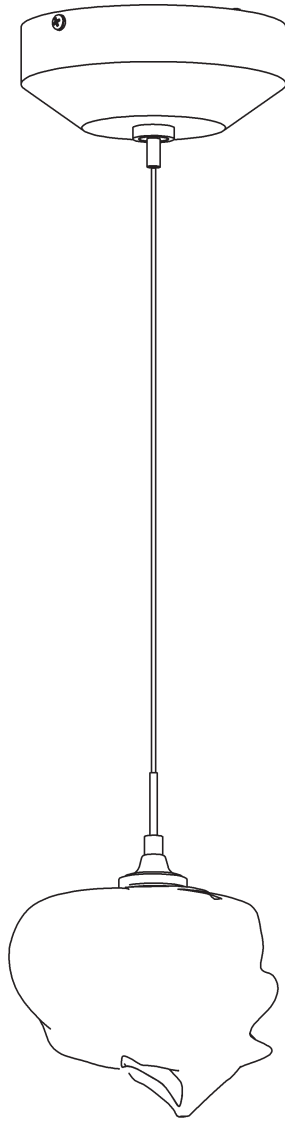


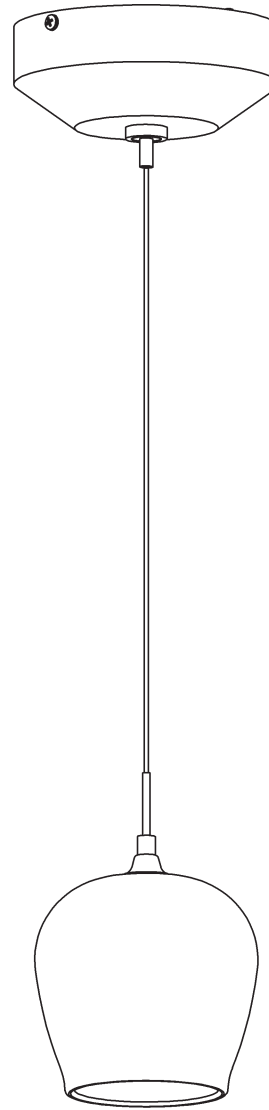
# ASSEMBLY & INSTALLATION INSTRUCTIONS

A764

Ume/Griffin Low Voltage Pendant 161182



**Ume Glass**



**Griffin Glass**

**Component Parts**

- A Crossbar**
- B Cupped Washer**
- C Ground Screw**
- D Canopy**
- E #8 Screws (2)**
- F Canopy Gripper**
- G Supply/Support Cable**
- H Fixture**
- I Screws with Lock Washer (2)**
- J Canopy Plate**
- K Bulb (not included)**
- L Socket**
- M Glass**
- N Washer**
- O Glass Retainer**



# ASSEMBLY & INSTALLATION INSTRUCTIONS

A764

Ume/Griffin Low Voltage Pendant 161182

**CAUTION: FAILURE TO INSTALL THIS FIXTURE PROPERLY MAY RESULT IN SERIOUS PERSONAL INJURY OR DEATH AND PROPERTY DAMAGE.** We recommend installation by a licensed electrician. This product must be installed in accordance with applicable installation code(s), by a person familiar with the construction and operation of the product and the hazards involved.\*

Caution: Do not exceed maximum wattage noted on fixture. Use only recommended bulbs with fixture.

Please Note: After installation extra hardware and accessories are possible due to our kits are used on multiple products and options.

## To Attach to Ceiling (Figures 1 & 2)

**CAUTION: BE SURE POWER IS OFF AT THE MAIN BREAKER BOX PRIOR TO INSTALLATION.**

1. Carefully unpack fixture from the carton.
2. Crossbar (A) and canopy (D) ship assembled. Remove (2) #8 screws (E) to separate the canopy from the crossbar. Retain parts for later use.
3. Using two machine screws (not provided), fasten the crossbar (A) to the electric box.

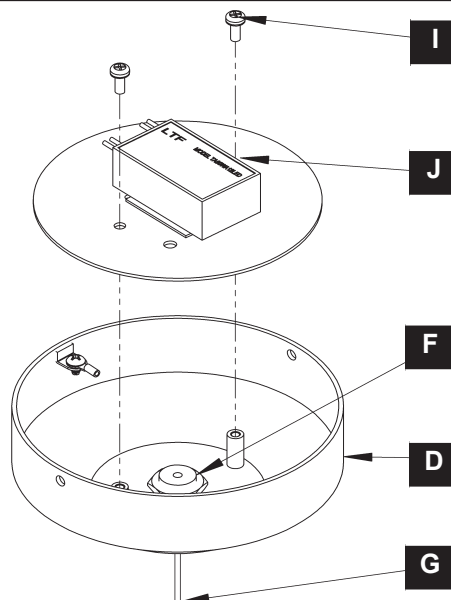
**Note:** A new electric box comes with screws. When replacing a fixture, retain the existing screws for use with the new fixture.

4. Height of fixture can be set before attaching the fixture to the ceiling. Remove screws with lock washers (I) and canopy plate (J) from canopy (D). If height is going to stay at max length or just a slight height adjustment is needed it may not be necessary to remove the canopy plate.

**Note:** Fixture is shipped at max height

5. Push supply/support cable (G) into canopy gripper (F) until desired height is reached. If cable needs to be pulled from canopy, push in on canopy gripper (F) plunger while pulling on supply/support cable (G) to adjust length.
6. Coil supply/support cable (G) in canopy (D) and place canopy plate (J) in canopy. Install screws w/lock washers (I) to secure plate.

**Caution:** Be sure not to pinch wires between canopy and plate



(Figure 1)

# ASSEMBLY & INSTALLATION INSTRUCTIONS

A764

Ume/Griffin Low Voltage Pendant 161182

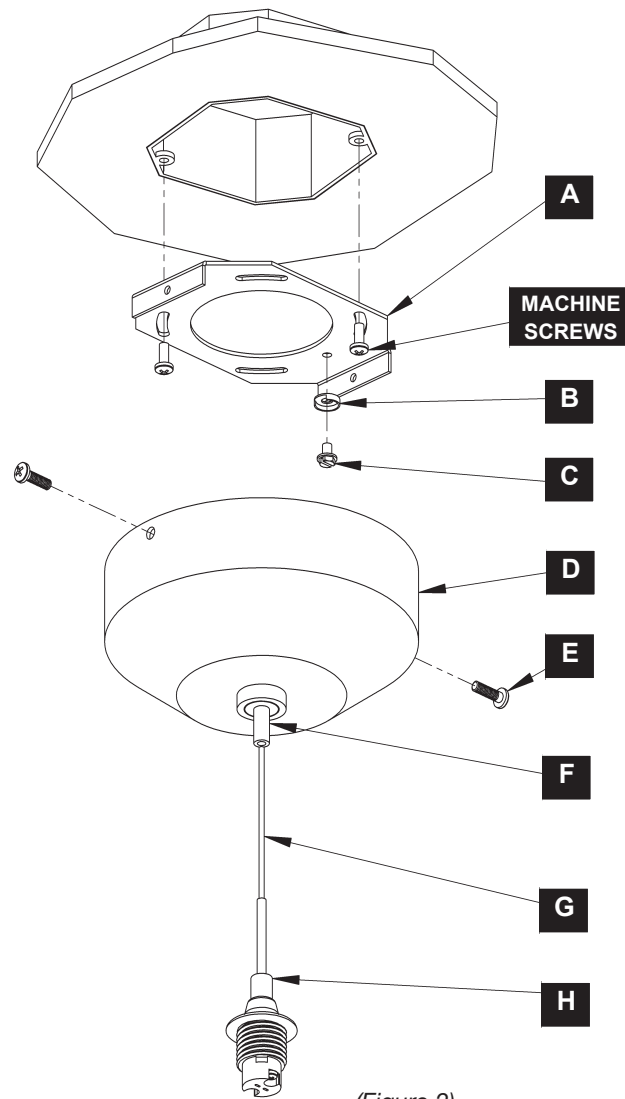
- Attach a pigtail lead to crossbar using ground screw (C) and the cupped washer (B). Raise canopy (D) close to ceiling. Using suitable wire connectors (not provided) connect fixture wires to supply wires (white to white, black to black). Connect all ground wires (bare copper or green to bare copper or green). *Figure 2*

**CAUTION: MAKE SURE WIRE CONNECTORS ARE TWISTED ON SECURELY AND NO BARE WIRE IS EXPOSED.**

- Align holes in canopy (D) with holes in crossbar (A) and secure with (2) #8 screws (E).

**CAUTION: BE SURE NO WIRES ARE PINCHED BETWEEN THE CANOPY (D) AND THE CEILING.**

- If fixture height needs to be adjusted to achieve desired height, push up on canopy gripper (F) and gently pull down/push up on supply/support cable (G).
- Follow instructions on following page to install glass.

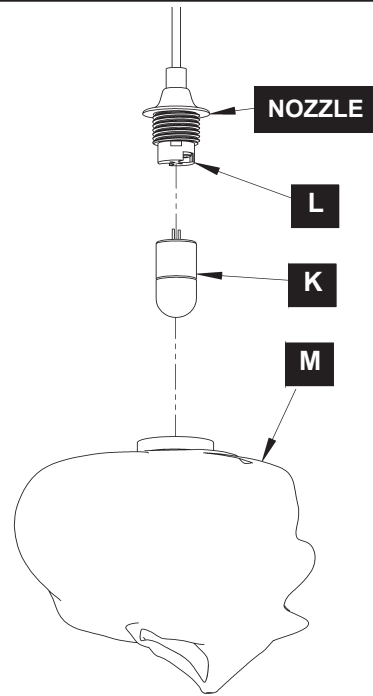


(Figure 2)

Ume/Griffin Low Voltage Pendant 161182

## To Install Ume Glass *(Figure 3)*

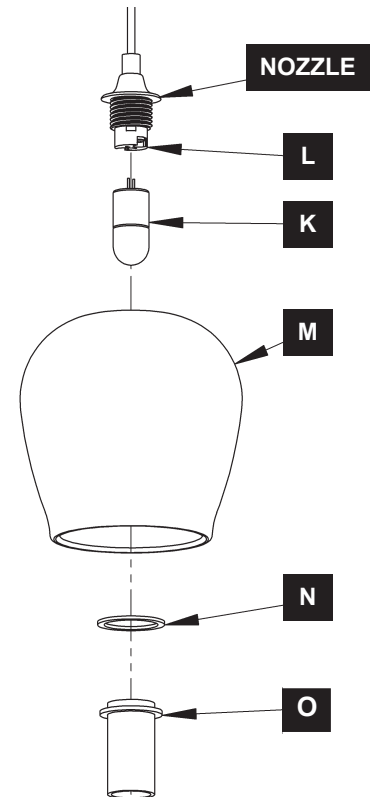
1. Install bulb (K), not included, into socket (L).
2. Carefully unpack glass (M) and thread onto socket (L) up to nozzle.
3. Restore electricity at the main breaker



(Figure 3)

## To Install Griffin Glass *(Figure 4)*

1. Install bulb (K), not included, into socket (L).
2. Carefully unpack glass (M), place over socket (L) and up to nozzle. Slide washer (N) over end of glass retainer (O).
3. Thread glass retainer (O) onto socket (L) to secure glass (M).
4. Restore electricity at the main breaker



(Figure 4)

If you need further assistance, or find that you are missing any parts, please contact the dealer from which you purchased this product. We hope you enjoy your fixture!

*\* Hubbardton Forge will not be liable for injury or damage caused by improper installation, lamping or use of this fixture.*



HUBBARDTON FORGE.

MODERN AMERICAN BLACKSMITHS | FINE, HAND CRAFTED LIGHTING  
CASTLETON, VERMONT USA | HUBBARDTONFORGE.COM