

# Assembly & Installation Instructions

Umbra Pendant 362001

**A446**

Page 1 of 3

**CAUTION: FAILURE TO INSTALL THIS FIXTURE PROPERLY MAY RESULT IN SERIOUS PERSONAL INJURY OR DEATH AND PROPERTY DAMAGE. We recommend installation by a licensed electrician.**

This product must be installed in accordance with applicable installation code(s), by a person familiar with the construction and operation of the product and the hazards involved.\*

**Caution:** Do not exceed maximum wattage noted on fixture. Use only recommended bulbs with fixture.

**Caution:** Damp location outdoor hanging fixtures are designed for use in covered spaces such as porches protected from prolonged exposure to water and wind. If installing in locations subject to wind the use of supplementary chains, cables, or similar restraints may be necessary to protect against swinging and twisting. If in doubt consult a qualified installer.

**Please Note:** After installation extra hardware and accessories are possible due to our kits are used on multiple products and options.

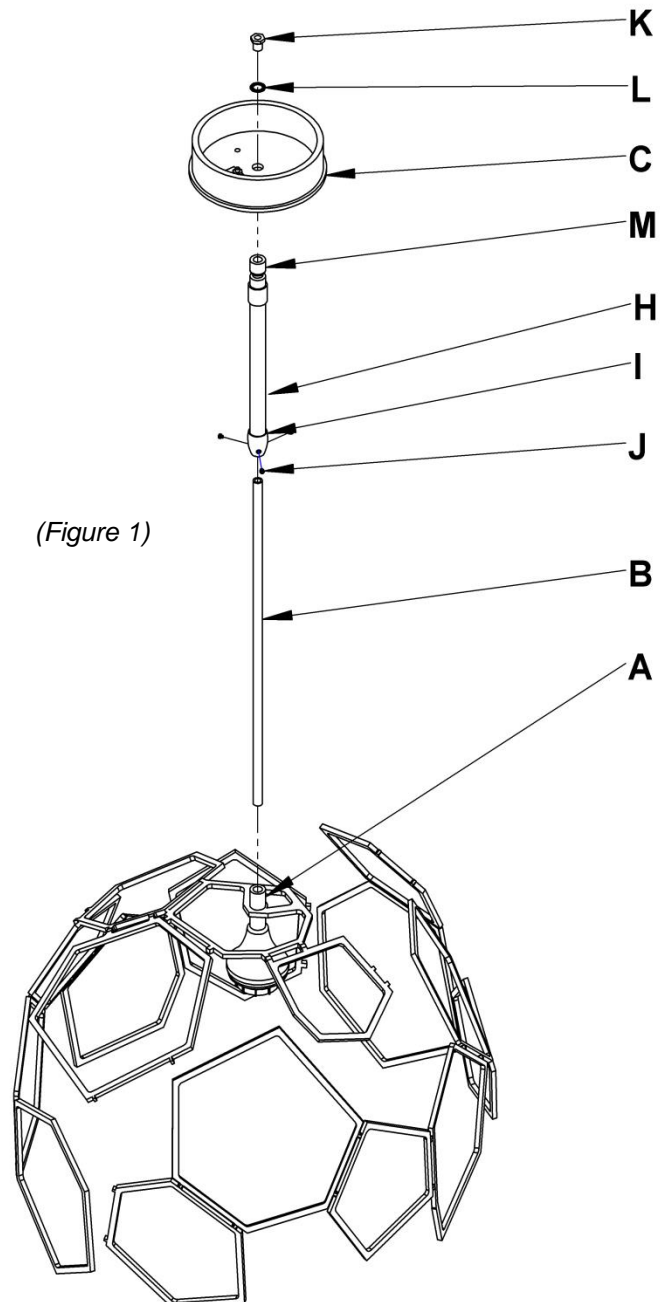
## To Install Fixture (Figures 1 & 2)

### Component Parts

A Fixture Coupling	H Canopy Pipe
B Fixture Pipe	I Clutch
C Canopy	J Set Screw (3)
D Crossbar	K Hex Head Nipple
E Ground Screw	L Lockwasher
F Threaded Stud (2)	M Swivel
G Knurled Ball (2)	

**Caution: Be sure power is off at the main breaker box prior to installation.**

1. Carefully unpack the fixture from the carton.
2. Locate canopy pipe (H). Canopy pipe (H) comes with the clutch (I) attached on one end and a swivel (M) attached to the other end.
3. Remove the hex head nipple (K) and lockwasher (L). Place swivel against canopy (C) and secure using lockwasher (L) and hex head nipple (K).
4. Locate fixture pipe (B) and slip threaded end over wires. Figure 1.
5. Apply a drop of the supplied thread locking compound to the internal threads of the fixture coupling (A) and screw fixture pipe (B) into fixture coupling (A), being careful not to twist the wires.  
**Note:** Application of the thread locking compound is necessary to prevent the stem from loosening during regular maintenance and cleaning of the fixture. Be certain to apply the compound.
6. Slide the wires from the fixture pipe (B) through the canopy pipe (H) and up through the canopy (C).



(continued)

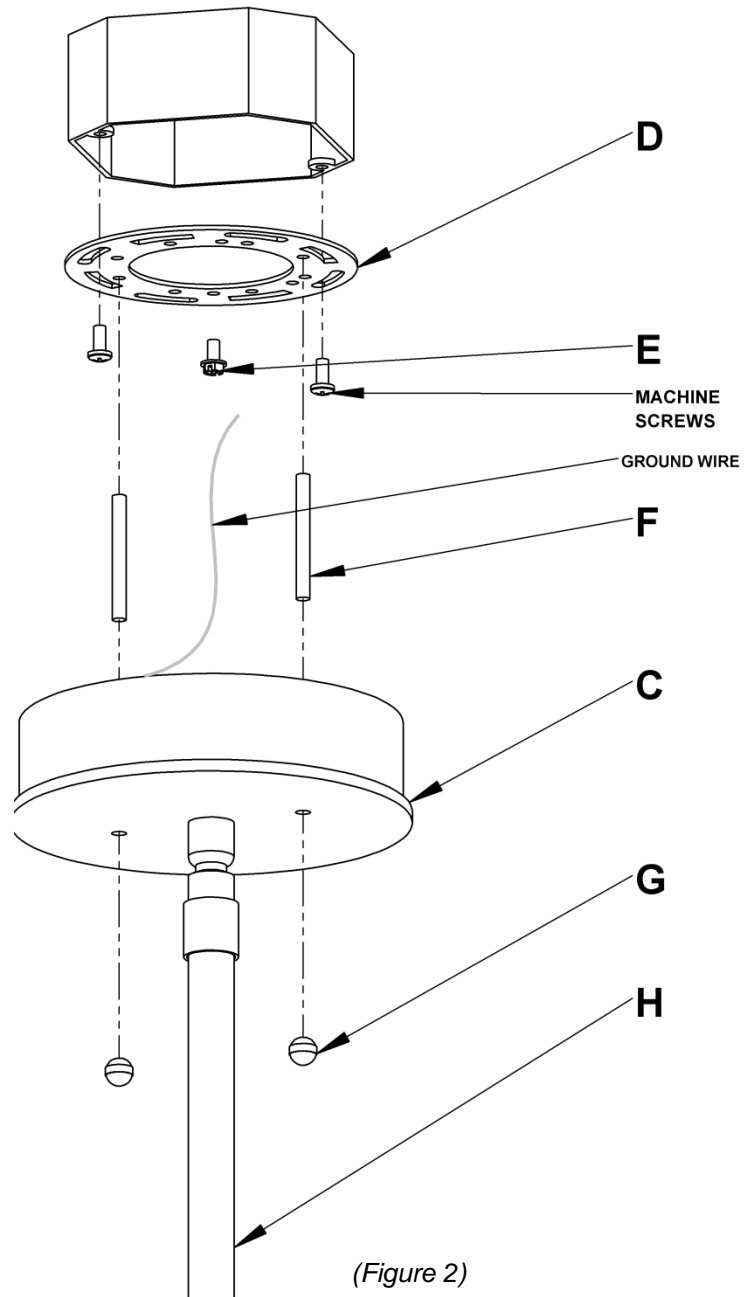
# Assembly & Installation Instructions

**A446**

Umbra Pendant 362001

Page 2 of 3

7. Slide the canopy pipe (H) over the fixture pipe (B) as far as necessary to give you the total length of the fixture which you desire. It may be necessary to loosen the set screws (J) in the clutch (I). Be careful not to scratch the pipe surface and to pull excess wire up through the canopy pipe (H). There must be a minimum 1-1/2" of inner pipe inside the outer pipe.
8. Tighten the three set screws (J) in clutch (I) firmly with hex wrench provided. Be sure to tighten evenly so that fixture pipe (B) stays centered in clutch (I).  
*Figure 1*
9. Thread studs (F) through appropriate holes in crossbar (D) to match holes in canopy (C).
10. Using two machine screws (not provided), fasten the crossbar (D) to the electric box. *Figure 2*  
*Note: A new electric box comes with screws. When replacing a fixture, retain the existing screws for use with the new fixture.*
11. Using suitable wire connectors (not provided) connect fixture wires to supply (white to white and black to black). Attach a pigtail lead to the crossbar ground screw (E). Connect all ground wires (bare copper or green to bare copper or green). *Caution: Make sure wire connectors are twisted on securely, and no bare wire is exposed.*
12. Slide canopy (C) over threaded studs (F) and push firmly to ceiling, making sure that no wires are pinched between fixture canopy and ceiling. Fasten with knurled balls (G). Be sure studs are fully seated in the knurled balls.
13. Refer to instructions following to install glass.



(continued)

# Assembly & Installation Instructions

Umbra Pendant 362001

**A446**

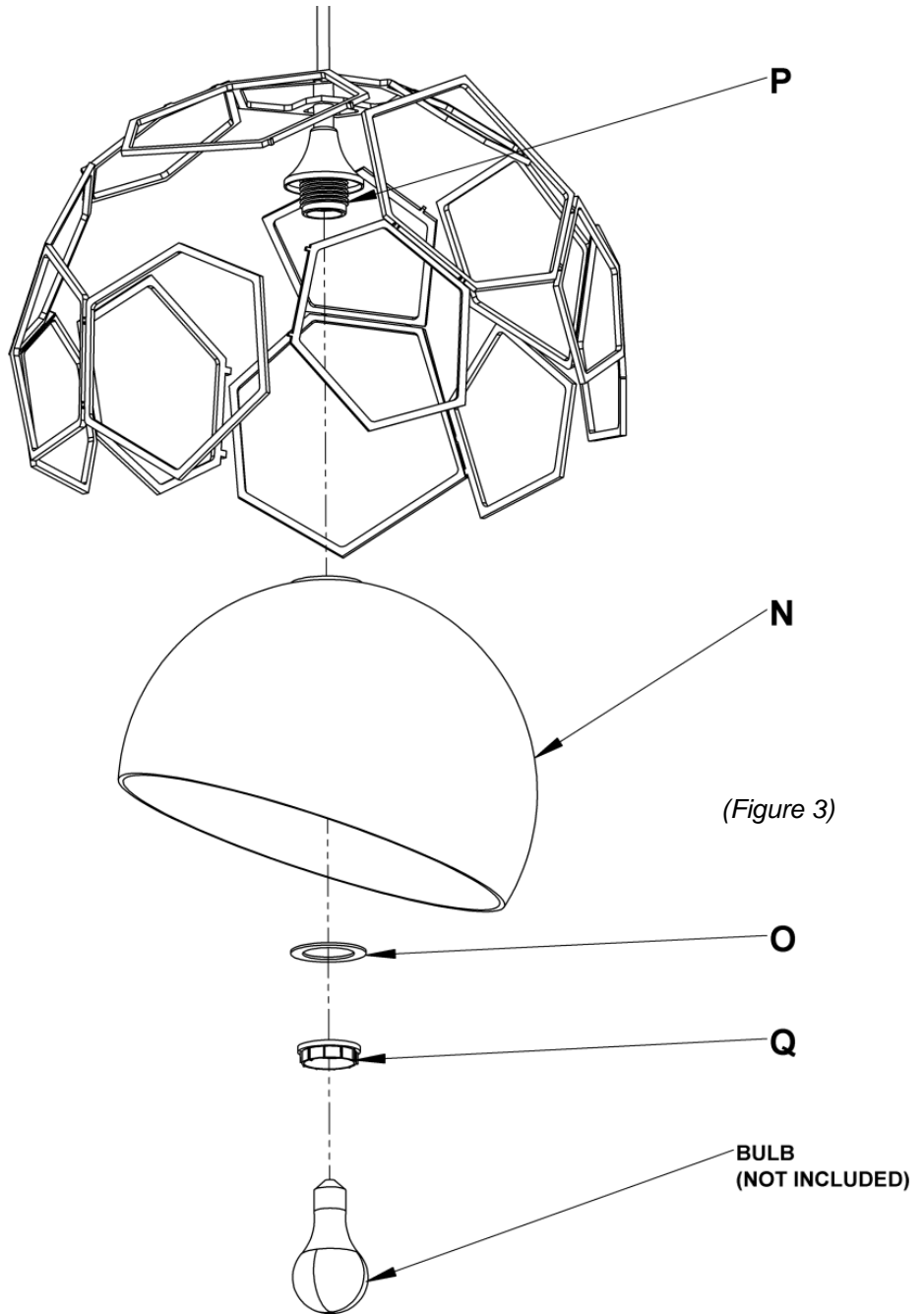
Page 3 of 3

## **To Install Glass** (Figure 3)

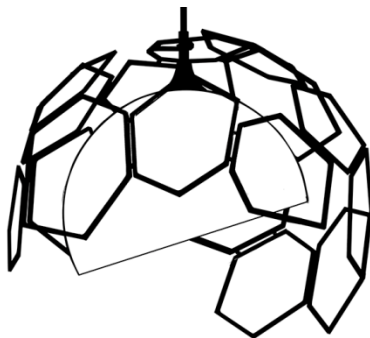
### Component Parts

- N Glass
- O White Washer
- P Socket
- Q Retaining Ring

1. Retaining Ring (Q) is shipped installed on socket (P)
2. Slip glass (N) onto socket, slide on white washer (O) and secure with retaining ring (Q)
3. Install bulb (not included).
4. To achieve best appearance, rotate glass so that the slope of the glass is opposite the slope in the fixture. (Figure 4)
5. Restore electricity at main breaker.



(Figure 3)



(Figure 4)

*If you need further assistance, or find that you are missing any parts, please contact the dealer from which you purchased this product. We hope you enjoy your fixture*

Hubbardton Forge will not be liable for injury or damage caused by improper installation, lamping or use of this fixture.

**HUBBARDTON FORGE**

**Hand-Forged, Vermont-Made Lighting and Accessories**  
P.O. Box 827, 154 Route 30 South, Castleton, Vermont 05735

35877 Rev A