

Installation Instructions

For Twilight Semi-Flush 36-4903 & 36-4903F

A244

Page 1 of 2

CAUTION: FAILURE TO INSTALL THIS FIXTURE PROPERLY MAY RESULT IN SERIOUS PERSONAL INJURY OR DEATH AND PROPERTY DAMAGE. We recommend installation by a licensed electrician.

This product must be installed in accordance with applicable installation code(s), by a person familiar with the construction and operation of the product and the hazards involved.*

Caution: Do not exceed maximum wattage noted on fixture. Use only recommended bulbs with fixture.

Please Note: This fixture is designed to be mounted on a standard wall surface and may not be suitable for all applications. If installing in a non-wood frame application, we recommend consulting a qualified builder or electrician.

After installation extra hardware and accessories are possible; our kits are used on multiple products and options.

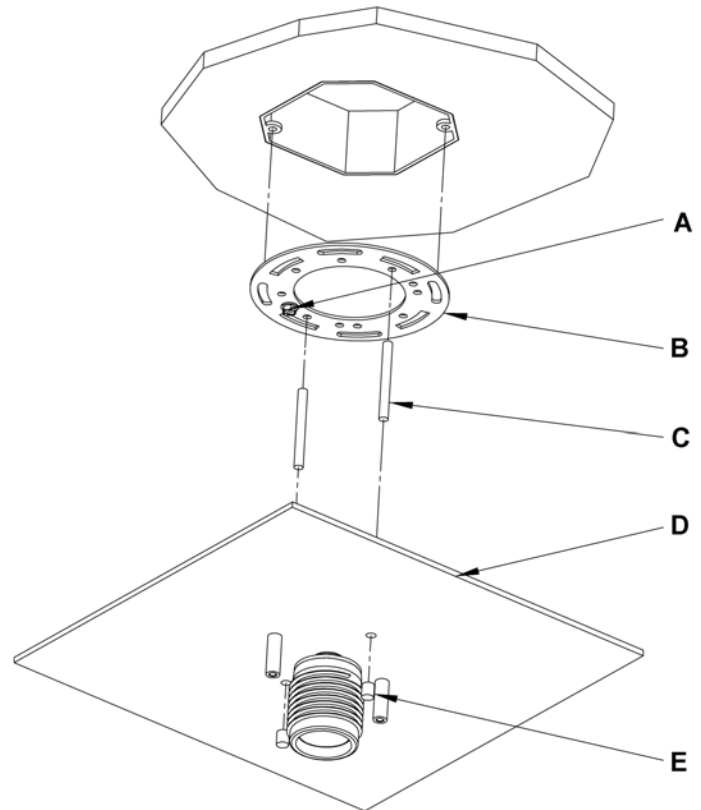
To Install Fixture (Figure 1)

Component Parts

- A Ground Screw
- B Cross Bar
- C Threaded Stud (2)
- D Canopy
- E Barrel Knobs (2)

Caution: Be sure power is off at the main breaker box prior to installation.

1. Carefully unpack the fixture from the carton.
2. Thread studs (C) through appropriate holes in cross bar (B) to match hole centers in canopy (D). Move ground screw (A) to another available threaded hole if necessary.
3. Using two machine screws (not provided) fasten cross bar (B) to the electric box using outer oval holes to orient fixture to desired hanging position.
Note: A new electric box comes with screws. When replacing an existing fixture, retain the screws for use with the new fixture.
4. Using suitable wire connectors (not provided); connect fixture wires to supply wires (white to white and black to black). Connect all ground wires to green ground screw (A).
Caution: Make sure wire connectors are twisted on securely, and no bare wire is exposed.
5. Slide fixture canopy (D) over threaded studs and push firmly to ceiling, making sure that no wires are pinched between fixture canopy and ceiling. Fasten with barrel knobs (E). Be sure studs (C) are fully seated in barrel knobs (E).



(Figure 1)

(continued)

Installation Instructions

For Twilight Semi-Flush 36-4903 & 36-4903F

A244

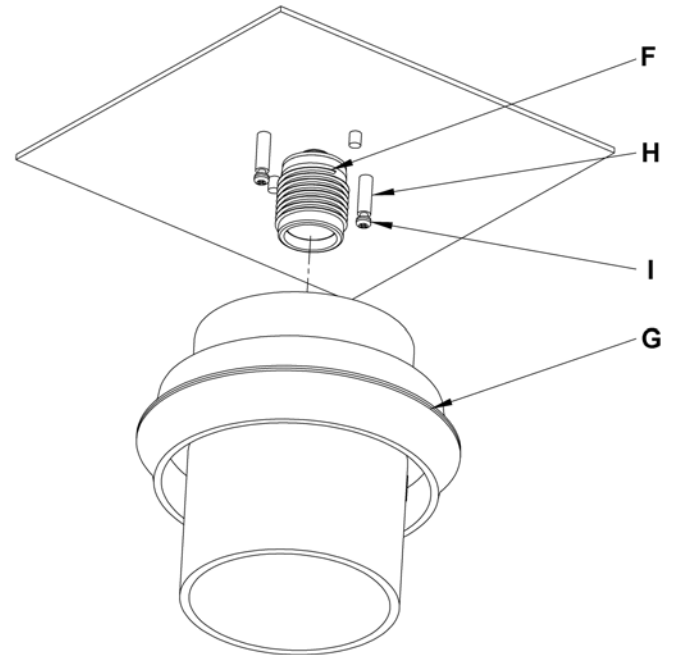
Page 2 of 2

To Install Bulb & Bottom Assembly (Figures 2 & 3)

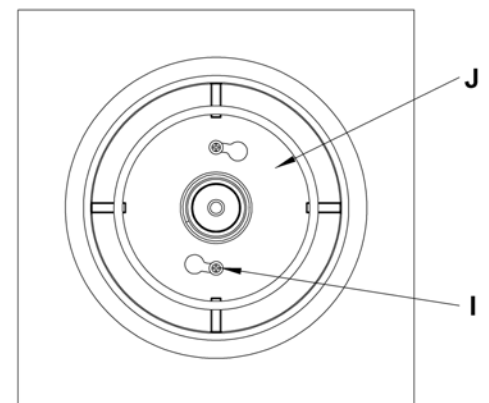
Component Parts

- F Socket
- G Bottom Assembly
- H Threaded Bosses (2)
- I Screws (2)
- J Washer

1. Unthread screws (I) that are shipped installed in threaded bosses on fixture next to socket (F). Loosen screws until there are only a couple threads engaged with the threaded bosses.
2. Raise bottom assembly (G) over socket (F) aligning holes in washer (J) so the washer keyed ring goes over screws (I).
3. Turn washer (J) clockwise until it stops. Tighten two screws (I) until snug against washer (J) (Figure 3).
4. Install light bulb. "F" version bulb is included.
5. Restore electricity at main breaker.



(Figure 2)



(Figure 3)

If you need further assistance, or find that you are missing any parts, please contact the dealer from which you purchased this product. We hope you enjoy your fixture!

* Hubbardton Forge will not be liable for injury or damage caused by improper installation, lamping or use of this fixture.