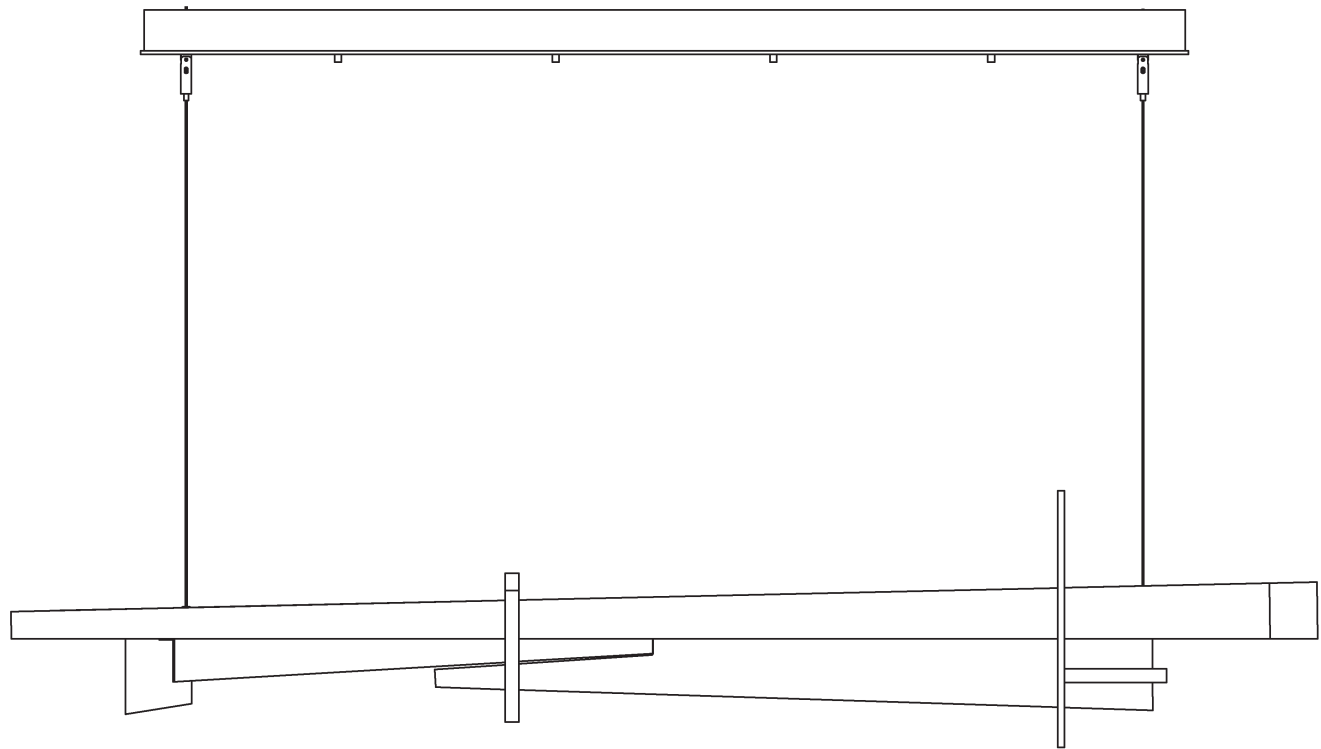


ASSEMBLY & INSTALLATION INSTRUCTIONS

139901 Tenon Pendant

A560



Component Parts

- A Canopy**
- B Knobs (4)**
- C Safety Cable**
- D Anchors (8)**
- E #10 Screws (8)**
- F Mounting Bracket**
- G #8 Screw**
- H Fixture**
- I Supply/Supply Cables (2)**
- J Grippers (2)**
- K Threaded Studs (4)**
- L Large Glass**
- M Small Glass**
- N Glass Retaining Block**
- O Thumb Screws (2)**



ASSEMBLY & INSTALLATION INSTRUCTIONS

A560

139901 Tenon Pendant

CAUTION: FAILURE TO INSTALL THIS FIXTURE PROPERLY MAY RESULT IN SERIOUS PERSONAL INJURY OR DEATH AND PROPERTY DAMAGE. We recommend installation by a licensed electrician. This product must be installed in accordance with applicable installation code(s), by a person familiar with the construction and operation of the product and the hazards involved.*

Caution: Do not exceed maximum wattage noted on fixture. Use only recommended bulbs with fixture.

Please Note: After installation extra hardware and accessories are possible; our kits are used on multiple products.

To Install Fixture (Figure 1)

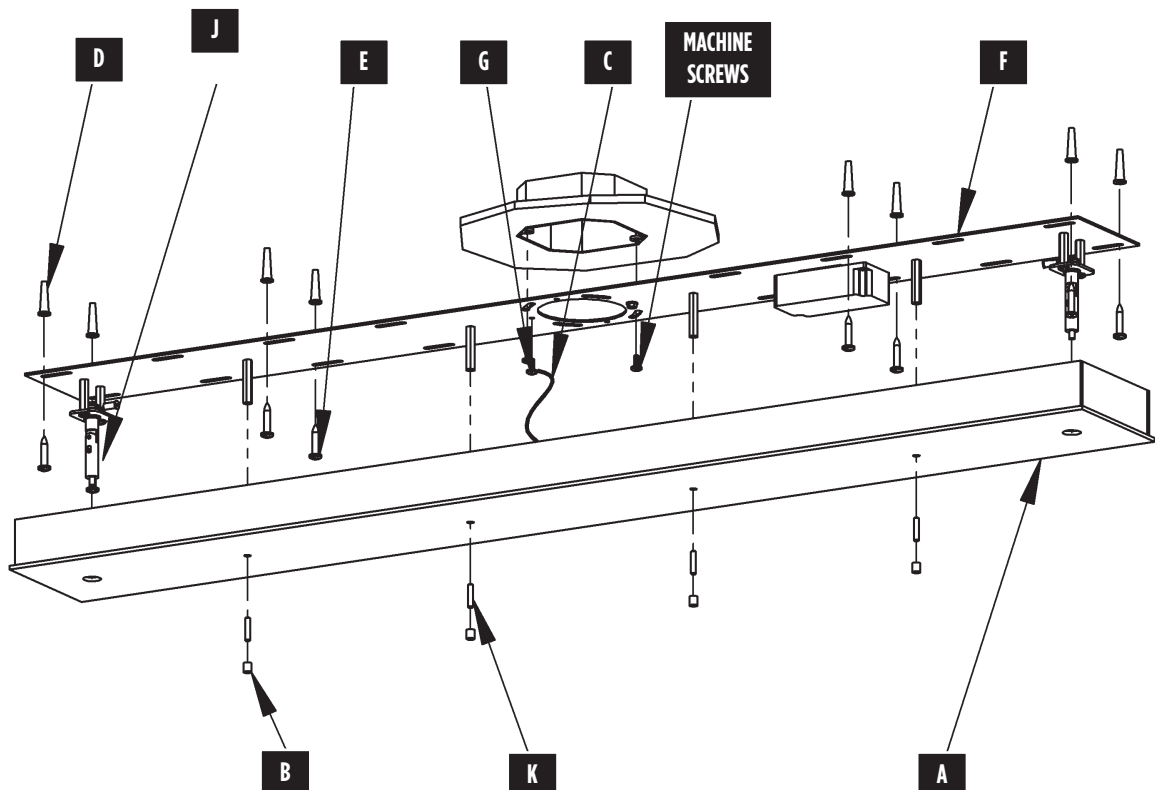
CAUTION: BE SURE POWER IS OFF AT THE MAIN BREAKER BOX PRIOR TO INSTALLATION.

1. Carefully unpack fixture (H) and canopy (A) from the carton.
2. Remove rubber band and separate mounting bracket (F) from canopy (A). Center mounting bracket over the electric box. With a pencil, mark the location of desired mounting positions on the ceiling. Set mounting bracket aside.
3. Drill 1/4" holes in the locations marked on the ceiling. For holes using anchors (D), place the tapered end of the anchor into the hole and gently tap flush to the ceiling using a light weight hammer.
4. Thread the wires in the electrical box through the hole in the mounting bracket (F) while moving the mounting bracket into position. Using two machine screws (not provided) fasten mounting bracket to the electric box.

Note: A new electric box comes with screws. When replacing a fixture, retain the existing screws for use with the new fixture.

5. Using #10 screws (E), screw the mounting bracket (F) to the ceiling. Be careful not to over-tighten or strip the anchors.

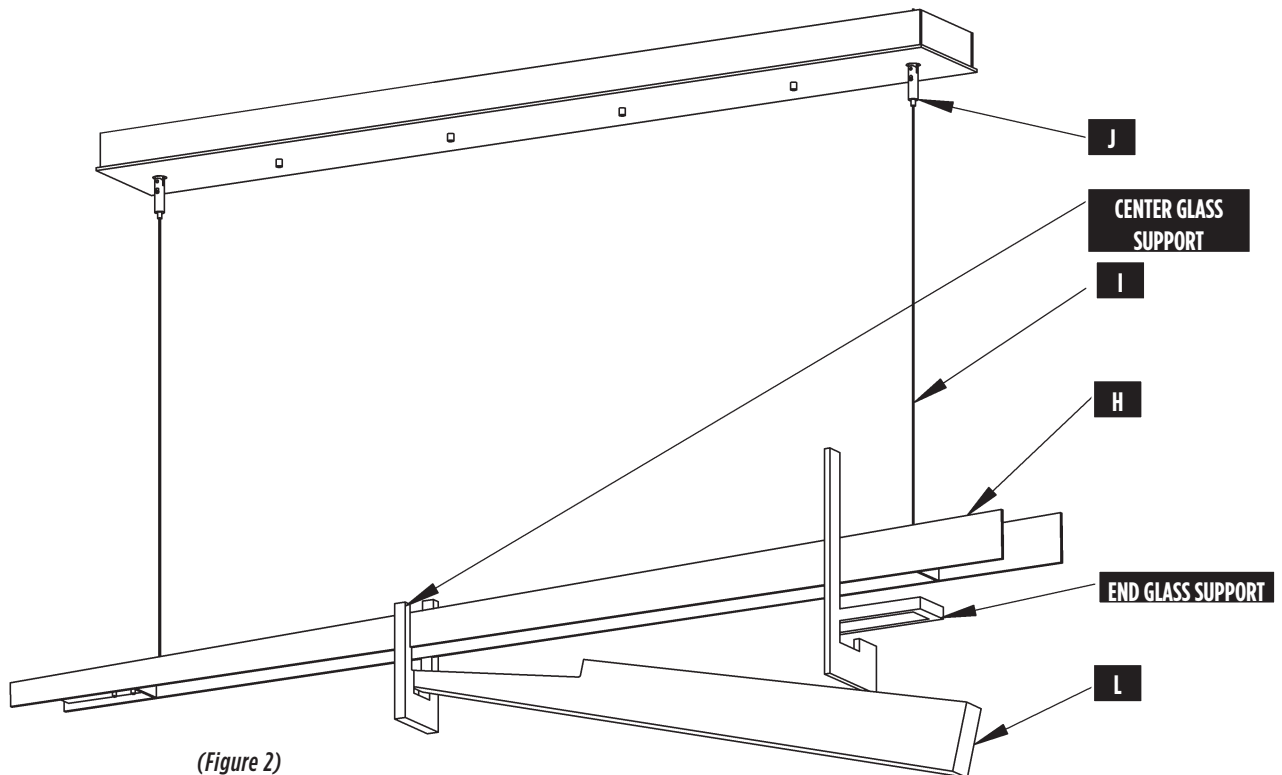
(Figure 1)



CONTINUED

To Install Fixture *cont.* (Figures 1, 2 & 3)

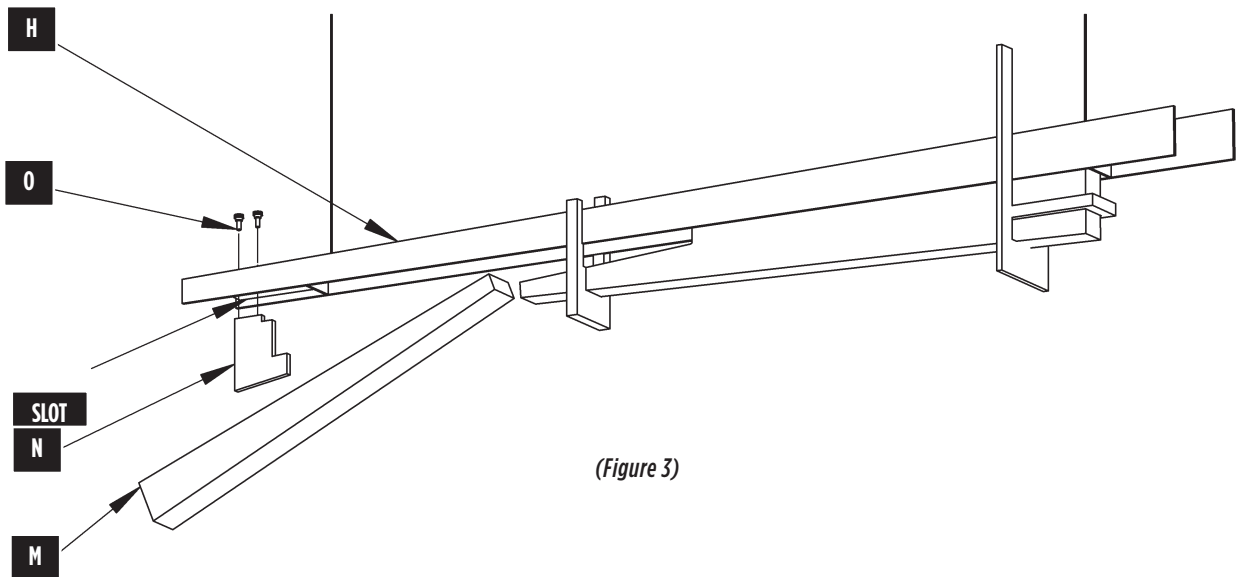
6. Using suitable wire connectors (not provided), connect fixture wires to supply wires (white to white and black to black).
7. Hold canopy (A) close to mounting bracket (F) and attach safety cable (C) to mounting bracket using #8 screw (G) found in kit bag. The safety cable also acts as a ground - do not remove.
8. Raise canopy (A) to ceiling making sure the grippers (J) fit through the holes in the canopy.
9. Secure canopy (A) to mounting bracket (F) using knobs (B) and threaded studs (K). Make sure threaded studs are fully seated in knobs.
10. Locate Fixture (H). Do not remove velcro. The velcro is holding the LED in place temporarily.
11. Align the positive (+) and negative (-) labels on fixture (H) with the positive (+) and negative (-) labels on grippers (J) (Figure 2).
12. Push the support/supply cable (I) from the positive (+) side of the fixture (H) into the positive (+) gripper (J). Push the cable in far enough so the cable exits the side of the gripper (J).
13. Repeat Step 6 for the supply/support cable (I) on the negative side (-). The velcro on fixture can now be removed.
14. Adjust fixture (H) to desired height by pushing the supply/support cables (I) into the grippers (J).
15. If fixture (H) needs to be lowered, press the plunger on the gripper (J) and pull the supply/support cables (I) out as much as needed.



139901 Tenon Pendant

To Install Fixture *cont.* (Figure 2 & 3)

16. Once the fixture (H) is at the desired height, cut the supply/support cables (I) as close to the notch in gripper (J) as possible.
Note: *Once cables are cut the fixture can no longer be lowered.*
17. Locate large glass (L). Slide smaller end of glass into center glass support until the large end of the glass clears the end glass support and can be raised. Rest glass on center glass support and slide all the way back toward end glass support
18. Locate glass retaining block (N) and thumb screws (O).
19. Fit one thumb screw (O) through the slot in the fixture (H) and thread a couple of turns into one of the threaded holes in the glass retaining block (N).
20. Rotate glass retaining block (N) so that it is perpendicular to the length of the fixture (H).
21. Locate small glass (M). Slide small end of small glass on top of large glass (L). Slide the small glass as far as it will go.
22. Rotate the glass retaining block (N) back so that it is aligned with the slot in the fixture (H). Install the second thumbscrew (O).
23. Slide glass retaining block (N) over to hold the end of the small glass (M).
24. Tighten both thumbscrews (O).
25. Restore electricity to main breaker.



If you need further assistance, or find that you are missing any parts, please contact the dealer from which you purchased this product. We hope you enjoy your fixture!

*** Hubbardton Forge will not be liable for injury or damage caused by improper installation, lamping or use of this fixture.**