

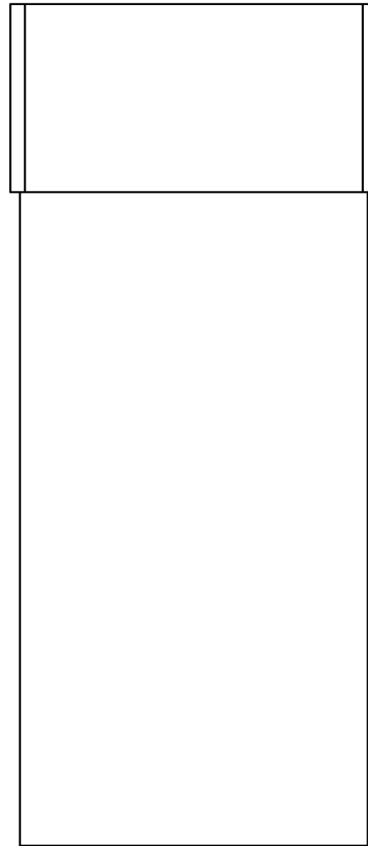
ASSEMBLY & INSTALLATION INSTRUCTIONS

B416

Stratum Outdoor Sconce 302630 & 302632



302630
(Shown in Illustrations)



302632



HUBBARDTON FORGE.

MODERN AMERICAN BLACKSMITHS | FINE, HAND CRAFTED LIGHTING
CASTLETON, VERMONT USA | HUBBARDTONFORGE.COM

ASSEMBLY & INSTALLATION INSTRUCTIONS

B416

Stratum Outdoor Sconce 302630 & 302632

Component Parts

- A** **Fixture Assembly**
- B** **Mounting Bracket**
- C** **#8 Screws (4)**
- D** **Rubber Washer (2)**
- E** **Ground Screw**
- F** **Cupped Washer**
- G** **Caulking Lip**
- H** **Accent Plate**
- I** **Plate Screws (4)**



ASSEMBLY & INSTALLATION INSTRUCTIONS

B416

Stratum Outdoor Sconce 302630 & 302632

CAUTION: FAILURE TO INSTALL THIS FIXTURE PROPERLY MAY RESULT IN SERIOUS PERSONAL INJURY OR DEATH AND PROPERTY DAMAGE. We recommend installation by a licensed electrician. This product must be installed in accordance with applicable installation code(s), by a person familiar with the construction and operation of the product and the hazards involved.*

Caution: Do not exceed maximum wattage noted on fixture. Use only recommended bulbs with fixture.

Please Note: After installation extra hardware and accessories are possible; our kits are used on multiple products and options.

To Install Fixture (Figures 1, 2 & 3, following pages)

CAUTION: BE SURE POWER IS OFF AT THE MAIN BREAKER BOX PRIOR TO INSTALLATION.

1. Carefully unpack the fixture (A) from the carton.
2. Accent plate (H) is shipped installed. Remove plate by removing the four plate screws (I) (Figure 1). Removal of the accent plate (H) on the small Stratum fixture (302630) is optional. Remove mounting bracket (B).
3. Using two machine screws (not provided) attach mounting bracket (B) to the electrical box (Figure 2).

Note: A new electric box comes with screws. When replacing a fixture, retain the existing screws for use with the new fixture.

4. Using the ground screw (E) and the cupped washer (F) found in kit bag, secure a pigtail lead to the mounting bracket (B).
5. Hold the fixture (A) close to the mounting bracket (B) and using suitable wire connectors (not provided), connect fixture wires to supply wire (white to white and black to black). Connect all ground wires (bare copper or green to bare copper or green).

CAUTION: MAKE SURE WIRE CONNECTORS ARE TWISTED ON SECURELY AND NO BARE WIRES ARE EXPOSED.

6. Apply a generous bead of a suitable caulking material (not provided) to caulking lip (G) on the fixture. Caulk should be applied around the entire perimeter of the backplate (Figure 3).
7. Carefully tuck all wires behind fixture and inside the mounting bracket (B). Place fixture firmly onto bracket and fasten with two #8 screws (C) and rubber washers (D) on top.

Note: Be sure no wires are pinched between the wall and fixture.

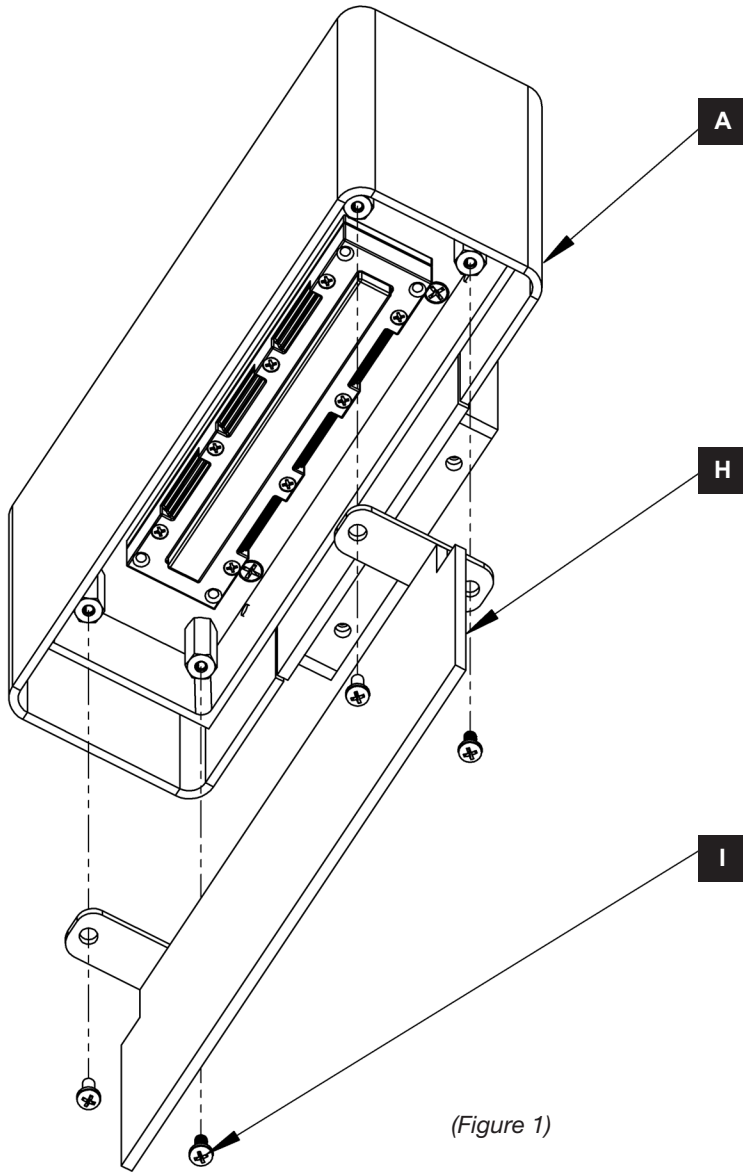
8. Install the two #8 screws (C) in bottom of fixture.
9. Place accent plate (H) up into fixture assembly and re-install plate screws (I) (Figure 1).
10. Restore electricity at main breaker

CONTINUED

ASSEMBLY & INSTALLATION INSTRUCTIONS

B416

Stratum Outdoor Sconce 302630 & 302632



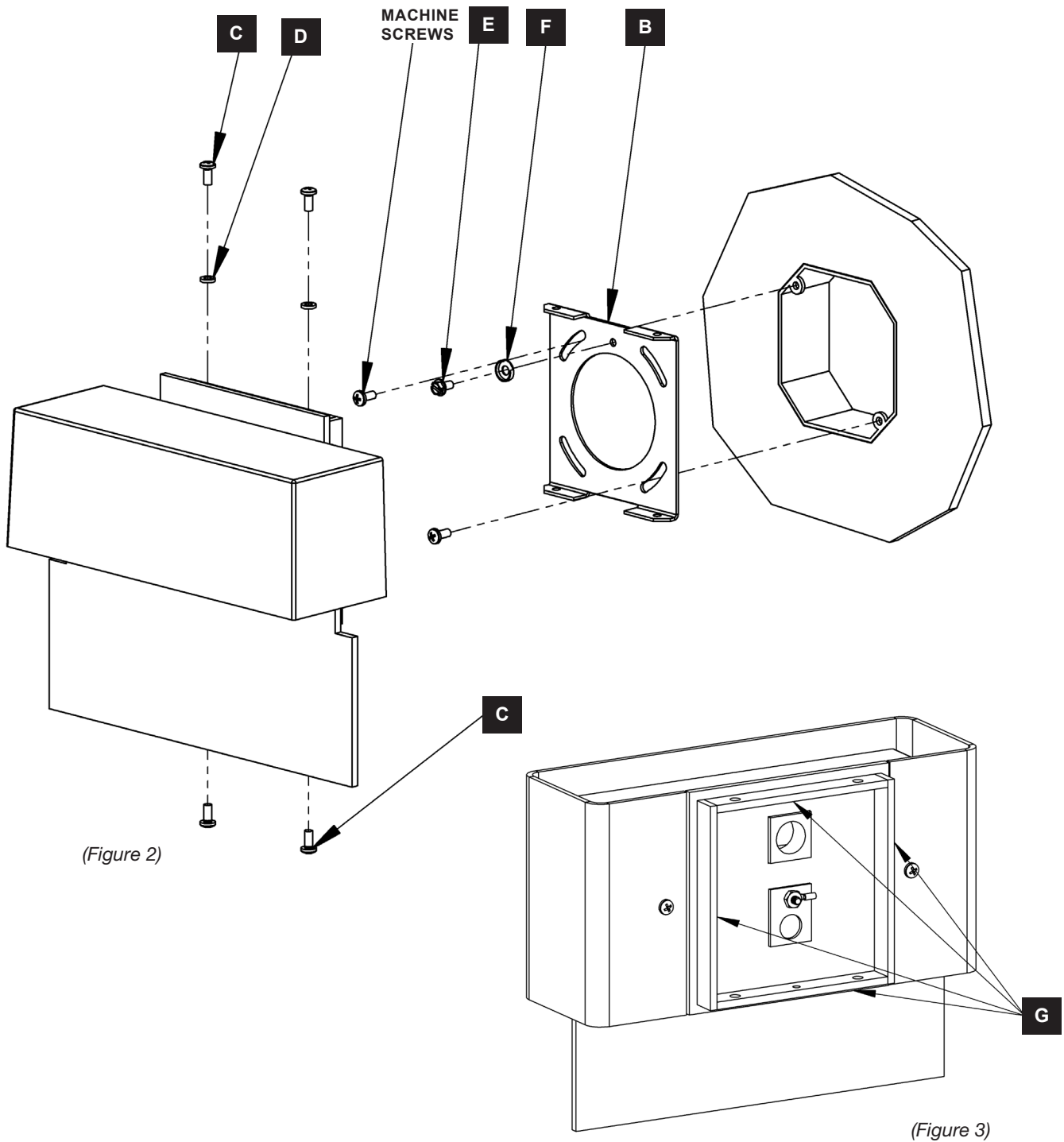
(Figure 1)

CONTINUED

ASSEMBLY & INSTALLATION INSTRUCTIONS

B416

Stratum Outdoor Sconce 302630 & 302632



(Figure 2)

(Figure 3)

If you need further assistance, or find that you are missing any parts, please contact the dealer from which you purchased this product. We hope you enjoy your fixture!

*** Hubbardton Forge will not be liable for injury or damage caused by improper installation, lamping or use of this fixture.**