

COMPONENT PARTS

- A Fixture
- B Mounting Bracket
- C Anchors (4)
- D #10 Screws (4)
- E Ground Screw
- F Cupped Washer
- G Threaded Studs (4)
- H Knurled Balls (4)
- I Front Assembly
- K #8 Screws (2)
- L Crystal (8)

CAUTION: FAILURE TO INSTALL THIS FIXTURE PROPERLY MAY RESULT IN SERIOUS PERSONAL INJURY OR DEATH AND PROPERTY DAMAGE. We recommend installation by a licensed electrician. This product must be installed in accordance with applicable installation code(s), by a person familiar with the construction and operation of the product and the hazards involved.*

CAUTION: Do not exceed maximum wattage noted on fixture. Use only recommended bulbs with fixture.

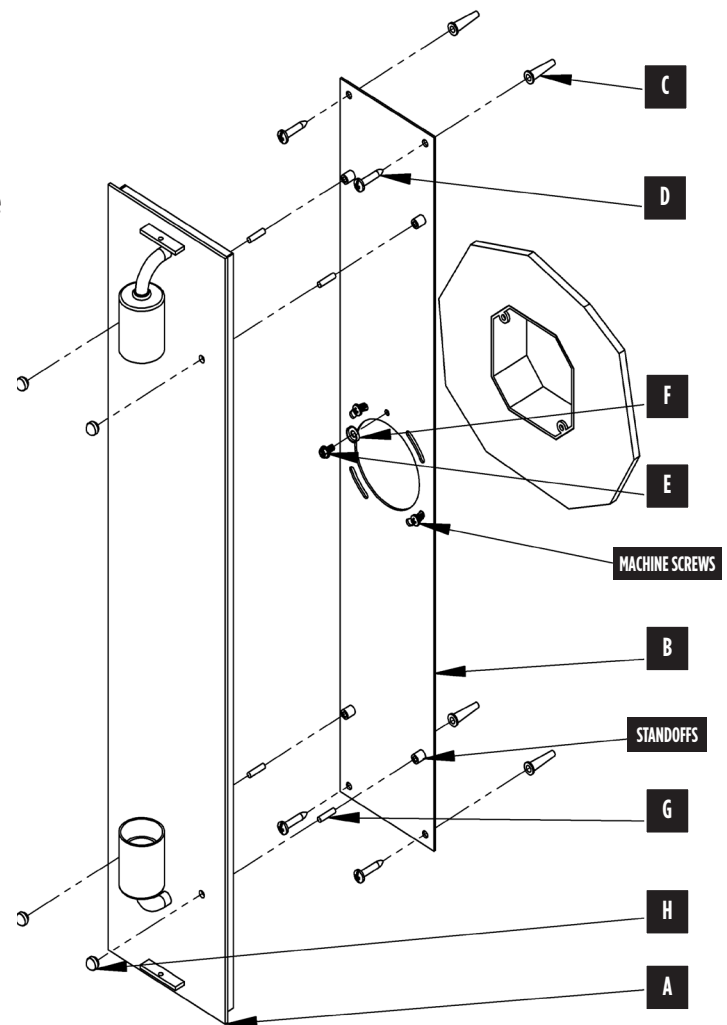
Please Note: After installation extra hardware and accessories are possible; our kits are used on multiple products.

TO ATTACH TO WALL (Figure 1)

CAUTION: BE SURE POWER IS OFF AT THE MAIN BREAKER BOX PRIOR TO INSTALLATION.

- Carefully unpack the fixture from the carton.
- Front assembly (I) is shipped installed. Refer to Figure 2 on following page. To disassemble, remove (2) screws (K) and retain for later use.
- Place the mounting bracket (B) over the electrical box being sure to hold it level. Line up holes in mounting bracket with holes in electrical box. With a pencil, mark the location of all mounting holes in the mounting bracket on the wall behind. Set bracket aside.
- Drill 1/4" holes in the locations marked on the wall. Place the tapered end of the anchors (C) into the holes and gently tap them flush to the wall using a light weight hammer.
- Thread the wires in the electrical box through the hole in the mounting bracket (B) while moving the bracket into position. Using two machine screws (not provided) fasten the mounting bracket to the electric box.
Note: A new electric box comes with screws. When replacing an existing fixture, retain screws for use with the new fixture.
- Using #10 screws (D), screw the mounting bracket (B) securely to the wall. Be careful not to over-tighten or strip the anchors (C).
- Attach a pigtail lead to the mounting bracket (B) using the cupped washer (F) and ground screw (E) found in kit bag.
- Install threaded studs (G) into standoffs on mounting bracket (B).
- Hold fixture (A) close to wall. Using suitable wire connectors (not provided), connect fixture wires to supply wires (white to white and black to black). Connect all ground wires (bare copper or green to bare copper or green).

CAUTION: MAKE SURE WIRE CONNECTORS ARE TWISTED ON SECURELY, AND NO BARE WIRES ARE EXPOSED.

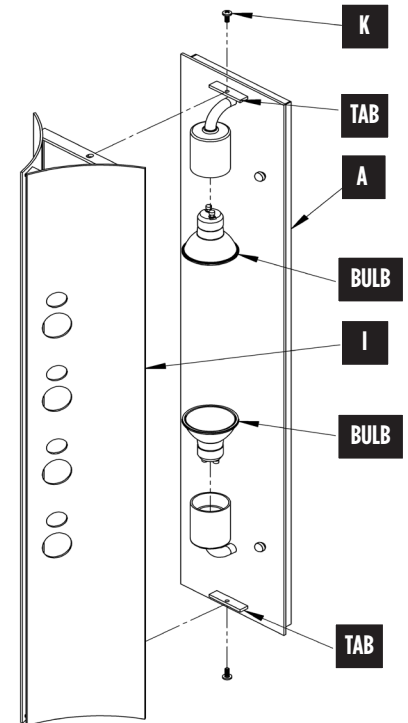


(Figure 1)

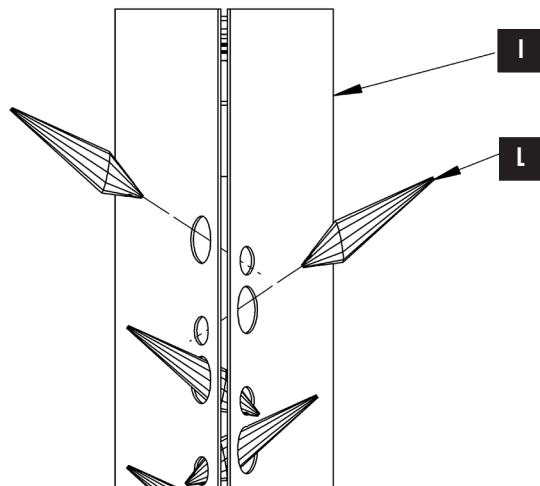
- Place end of fixture (A) with 'this end up' label towards the top of mounting bracket (B). Place fixture over threaded studs (G) and secure with knurled balls (H). Be sure studs are fully seated in knurled balls.

TO COMPLETE INSTALLATION (Figures 2, 3 and 4)

1. Install bulbs (not included).
2. Locate front assembly (I) and #8 screws (K) from earlier step. Place end of front assembly (I) with 'this end up' label towards the top of the fixture.
Note: It is critical for crystal installation that this end be towards the top of the fixture.
3. Slide front assembly (I) over tabs on fixture (A).
4. Secure with #8 screws (K). Tighten evenly.
5. Locate the crystals (L) and white gloves.
Note: Using white gloves while handling the crystals (L) will prevent smudges.
Note: Each crystal (L) has a makers mark from Swarovski as shown in Figure 4.
6. Refer to Figure 3 for crystal (L) orientation. Place crystal through large hole in front assembly (I) until it rests in smaller hole.
7. Repeat for remaining crystals (L).
8. Restore electricity at the main breaker.



(Figure 2)



(Figure 3)



(Figure 4)

If you need further assistance, or find that you are missing any parts, please contact the dealer from which you purchased this product. We hope you enjoy your fixture!

***Synchronicity / Hubbardton Forge will not be liable for injury or damage caused by improper installation, lamping or use of this fixture.**