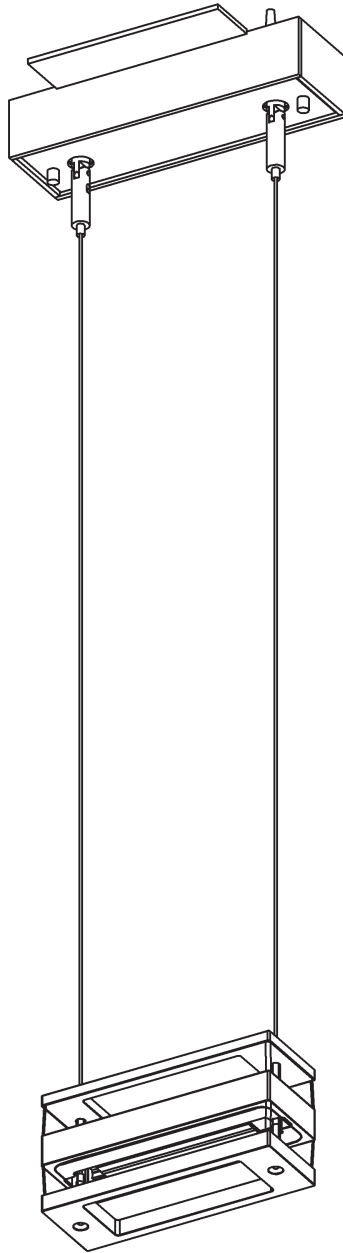


# ASSEMBLY & INSTALLATION INSTRUCTIONS

A512

Stacks Single Pendant - 401854

---



HUBBARDTON FORGE.

MODERN AMERICAN BLACKSMITHS | FINE, HAND CRAFTED LIGHTING  
CASTLETON, VERMONT USA | HUBBARDTONFORGE.COM

## Component Parts

- A Knobs (2)**
- B Canopy**
- C Cover Plate**
- D Driver**
- E Box Cover**
- F #8 Screws (5)**
- G Gripper Plates (2)**
- H Anchors (2)**
- I #10 Screws (2)**
- J Grippers (2)**
- K Standoffs (2)**
- L Glass Assembly**
- M Supply/Support Cables (2)**



# ASSEMBLY & INSTALLATION INSTRUCTIONS

A512

Stacks Single Pendant - 401854

**CAUTION: FAILURE TO INSTALL THIS FIXTURE PROPERLY MAY RESULT IN SERIOUS PERSONAL INJURY OR DEATH AND PROPERTY DAMAGE.** We recommend installation by a licensed electrician. This product must be installed in accordance with applicable installation code(s), by a person familiar with the construction and operation of the product and the hazards involved.\*

**Caution:** Do not exceed maximum wattage noted on fixture. Use only recommended bulbs with fixture.

## TO INSTALL CANOPY TO SINGLE BOX (Figure 1)

**CAUTION: BE SURE POWER IS OFF AT THE MAIN BREAKER BOX PRIOR TO INSTALLATION.**

1. Carefully unpack the fixture from the carton.
2. Unscrew the knobs (A) from the canopy (B). Remove canopy cover plate (C). Set knobs and canopy cover plate aside.
3. Pull driver (D) out of canopy (B) to allow access to mounting holes. Driver (D) will hang from wires while canopy (B) is being mounted.
4. Attach canopy (B) to electric box using two machine screws.

**NOTE:** A new electric box comes with screws. When replacing a fixture, retain the existing screws for use with the new fixture.

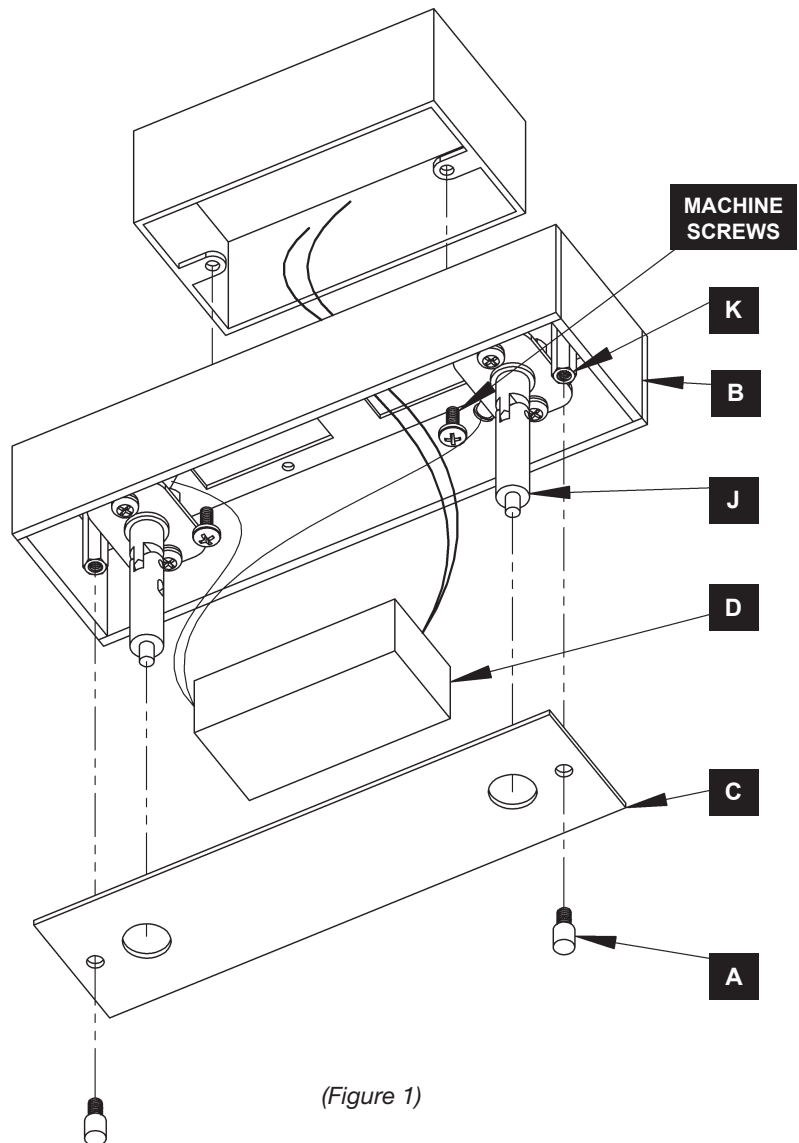
5. Using suitable wire connectors (not provided), connect fixture wires from driver (D) to supply wires (white to white and black to black). Hold cover plate (C) close, connect all ground wires (bare copper or green to bare copper or green).

**CAUTION: MAKE SURE WIRE CONNECTORS ARE TWISTED ON SECURELY AND NO BARE WIRE IS EXPOSED.**

6. Push driver (D) back into canopy (B). Re-install canopy cover plate (C) over grippers (J) and secure with knobs (A) into standoffs (K).

**CAUTION: BE SURE NO WIRES ARE PINCHED BETWEEN CANOPY AND COVER PLATE.**

7. See instructions on page 5 to complete installation



(Figure 1)

# ASSEMBLY & INSTALLATION INSTRUCTIONS

A512

Stacks Single Pendant - 401854

## TO INSTALL CANOPY TO 4 INCH BOX (Figure 2)

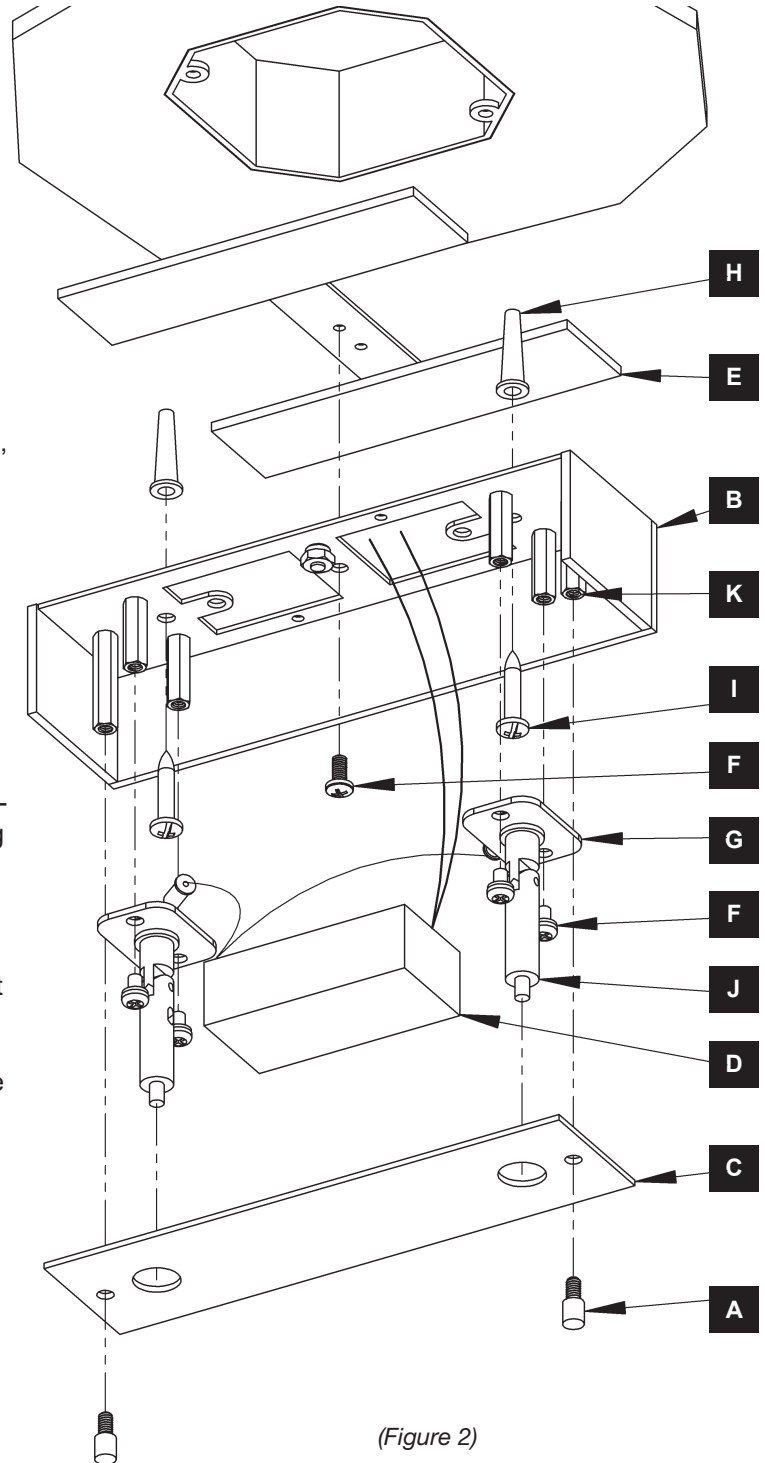
**CAUTION: BE SURE POWER IS OFF AT THE MAIN BREAKER BOX PRIOR TO INSTALLATION.**

1. Carefully unpack the fixture from the carton.
2. Unscrew the knobs (A) from the canopy (B). Remove canopy cover plate (C). Set knobs and canopy cover plate aside.
3. Attach box cover (E) to canopy (B) using a #8 screw (F).
4. To access mounting holes remove both gripper plates (G) by unscrewing the (4) #8 screws (F). Set gripper plates (G) and driver (D) aside while the canopy (B) is attached.
5. Center the canopy over the electric box. With a pencil, mark the location of desired mounting holes on the ceiling. Set canopy (B) aside.
6. Drill 1/4" holes in the locations marked on the ceiling. Place the tapered end of anchor (H) into the hole and gently tap flush to the ceiling using a light weight hammer.
7. Attach canopy (B) to ceiling using #10 screws (I). Be careful not to overtighten or strip anchors (H).
8. When canopy (B) is securely attached to the ceiling re-attach gripper plates (G) using 4 #8 screws (F) making sure to keep grippers (J) pointing down. Leave driver (D) outside canopy (B) so wiring connections can be made.
9. Using suitable wire connectors (not provided), connect fixture wires from driver (D) to supply wires (white to white and black to black). Hold cover plate (C) close, connect all ground wires (bare copper or green to bare copper or green).
10. Push driver (D) back into canopy (B). Re-install canopy cover plate (C) over grippers (J) and secure with knobs (A) into standoffs (K).

**CAUTION: MAKE SURE WIRE CONNECTORS ARE TWISTED ON SECURELY AND NO BARE WIRE IS EXPOSED.**

**CAUTION: BE SURE NO WIRES ARE PINCHED BETWEEN CANOPY AND COVER PLATE.**

11. See instructions on next page to complete installation.



(Figure 2)  
Canopy side plate hidden to show inside of canopy.

# ASSEMBLY & INSTALLATION INSTRUCTIONS

A512

Stacks Single Pendant - 401854

## TO FINISH INSTALLTION (Figure 3)

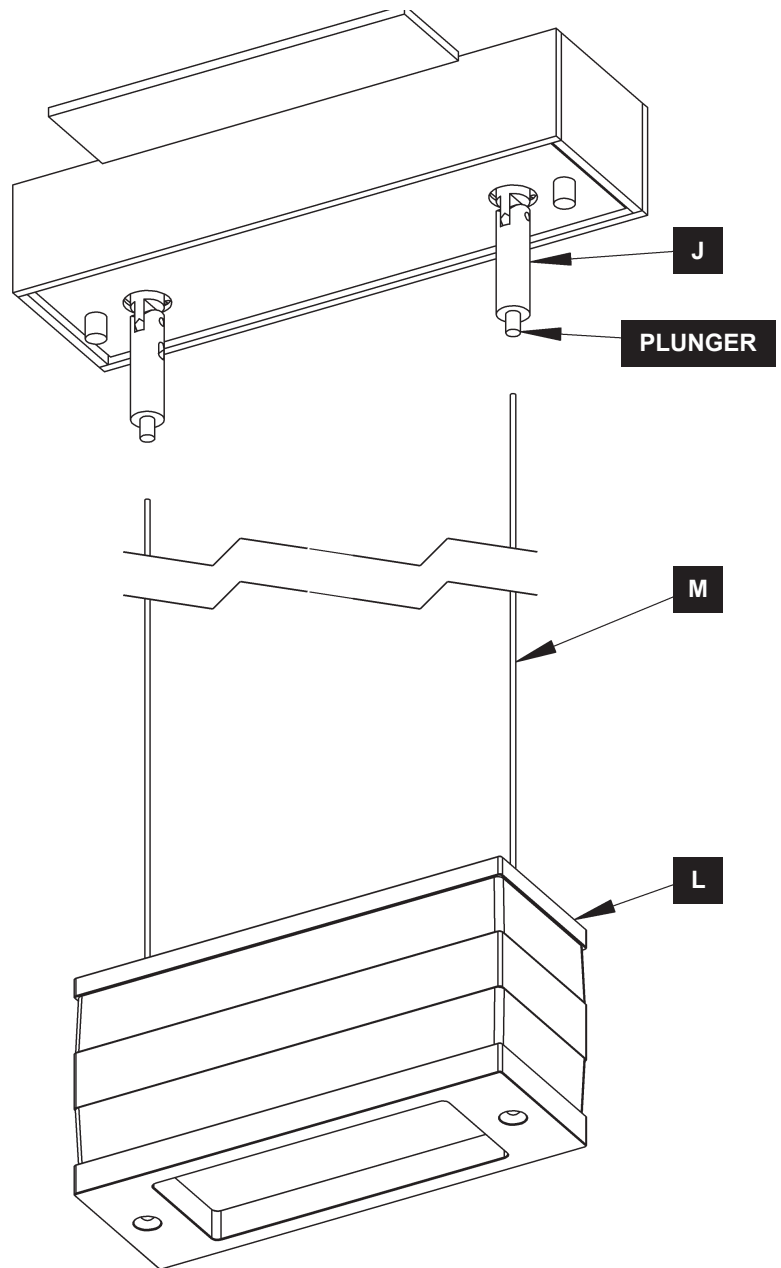
1. Locate glass assembly (L) and uncoil the supply/support cables (M) in order to find the (+) and (-) cable.
2. Align the (+) cable (M) with the (+) gripper (J) and the (-) cable with the (-) gripper. Slide supply/support cables (M) through the grippers (J) until the desired height of glass assembly (L) is reached.

**NOTE:** To lower glass assembly (L), depress the gripper plunger and pull supply/support cable (M) out until desired height is reached.

3. Trim the supply/support cables (M) as close to the grippers (J) as possible.

**CAUTION:** Once supply/support cables (M) are cut the glass assembly can no longer be lowered. Make sure desired height is reached before cutting cables.

4. Restore electricity at main breaker.



(Figure 3)

If you need further assistance, or find that you are missing any parts, please contact the dealer from which you purchased this product. We hope you enjoy your fixture!

**\* Hubbardton Forge will not be liable for injury or damage caused by improper installation, lamping or use of this fixture.**

**HF** HUBBARDTON FORGE.

MODERN AMERICAN BLACKSMITHS | FINE, HAND CRAFTED LIGHTING  
CASTLETON, VERMONT USA | HUBBARDTONFORGE.COM

39537

5 OF 5