

# Assembly & Installation Instructions

**A435**

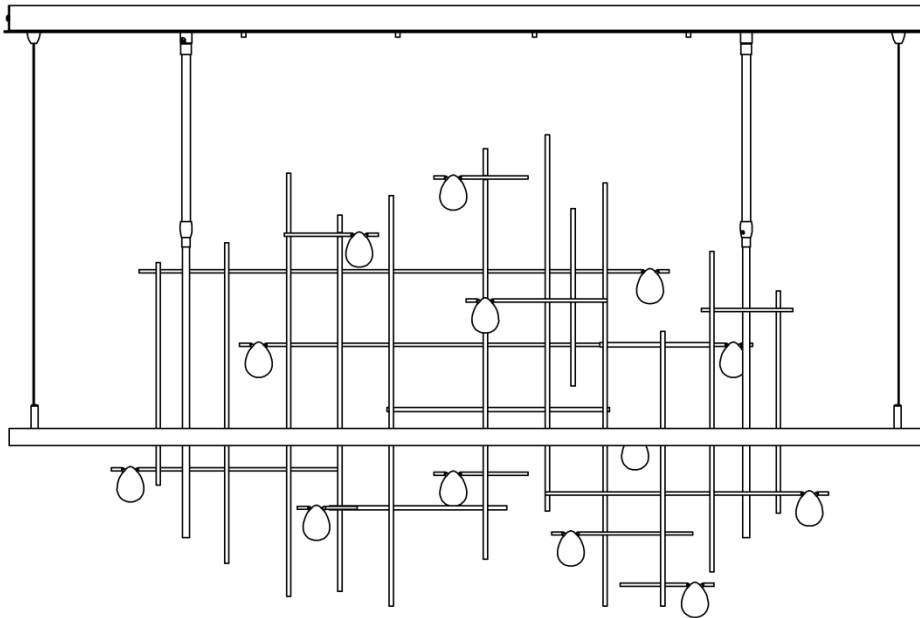
Spring Pendant 139751D

Page 1 of 6

**CAUTION:** FAILURE TO INSTALL THIS FIXTURE PROPERLY MAY RESULT IN SERIOUS PERSONAL INJURY OR DEATH AND PROPERTY DAMAGE. We recommend installation by a licensed electrician.

This product must be installed in accordance with applicable installation code(s), by a person familiar with the construction and operation of the product and the hazards involved.\*

**Caution:** Do not exceed maximum wattage noted on fixture. Use only recommended bulbs with fixture.



## Attach Fixture Pipes (Figure 1)

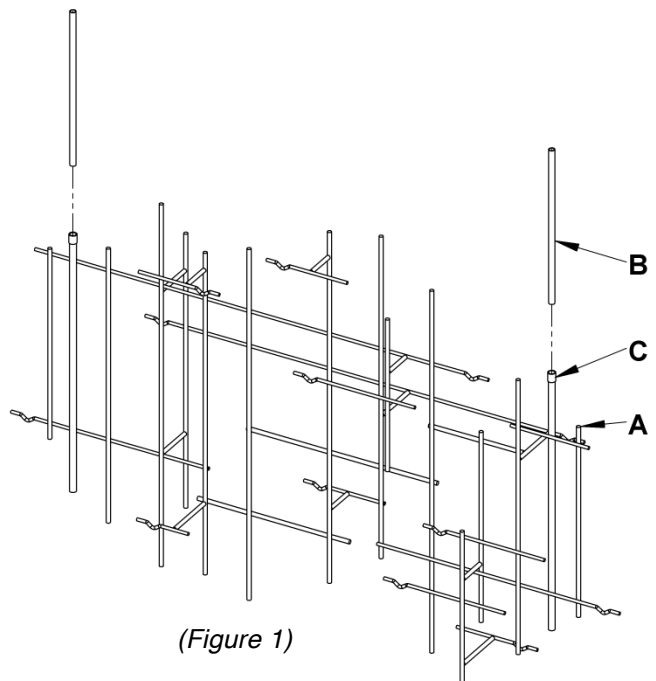
### Component Parts

- A Decorative Assembly
- B Decorative Assembly Pipes (2)
- C Decorative Assembly Coupling (2)

1. Carefully unpack the fixture from the carton.
2. Apply a drop of the supplied thread locking compound to the internal threads of the decorative assembly coupling (C) and screw pipes (B) into coupling.

**Note:** Application of the thread locking compound is necessary to prevent the stem from loosening during regular maintenance and cleaning of the fixture. Be certain to apply the compound.

3. Repeat step for remaining pipe (B).



# Assembly & Installation Instructions

**A435**

Spring Pendant 139751D

Page 2 of 6

## Attach Canopy Pipes and Ceiling Bracket (Figures 2 thru 4)

### Component Parts

D	Mounting bracket (2)	K	Canopy Pipe (2)	Q	Safety Cable Nut
E	Bent bracket (2)	L	Ground Nuts (2)	R	Supply Cable (4)
G	Hex Nipple (2)	M	Cupped Washer (2)	S	Threaded Standoffs (4)
H	Lock Washer (2)	N	#10 Wood Screws (8)	T	Barrel Knobs w/ Studs (4)
I	Swivel (2)	O	#8 Screws (2)	U	Connectors (2)
J	Canopy	P	Safety Cable		

**Caution: Be sure power is off at the main breaker box prior to installation.**

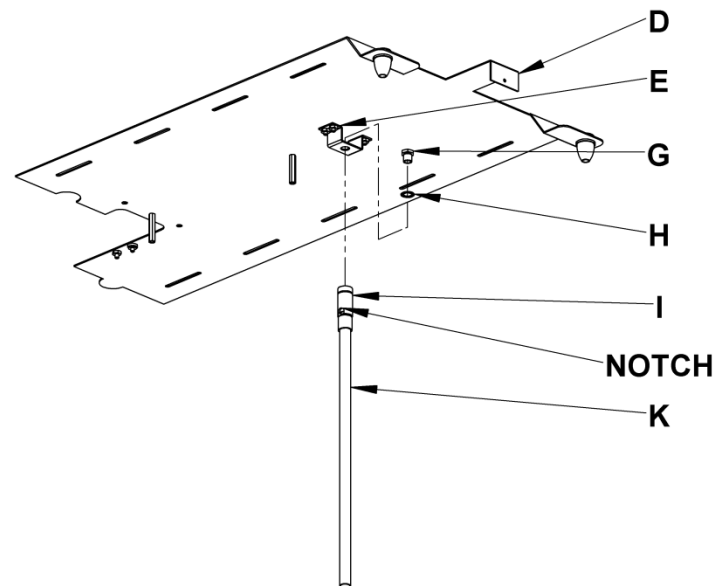
1. Hex nipples (G) and lock washers (H) are shipped installed in swivels (I). Remove these parts and set aside.
2. Locate mounting brackets (D) and bent brackets (E). The parts are shipped assembled together.
3. Insert threaded end of hex nipple (G) down through lock washer (H), bent bracket (E) and into swivel (I). Repeat with second swivel (I)
4. Tighten securely being sure the notches in the swivels (I) are orientated properly.

**Note:** If installing on a sloped ceiling, make certain that the notches in the swivel portion of the stems are orientated toward the lower side of the slope.

5. Using wood screws (N), attach mounting brackets (D) to a structural member in the ceiling, centering the bracket over the outlet box. It may be necessary to pre-drill  $\frac{1}{4}$ " holes where screws (N) are being installed. Wood screws are supplied with your fixture; however, different materials and/or construction methods may require different fasteners. If in doubt, contact a qualified electrician. **Do not attach bracket directly to outlet box.** **Note:** There are half-round features built into the mounting brackets to help with alignment when installing both brackets to the ceiling.
6. Run the long blue wire from one end of the mounting bracket (D) to the supplied connectors (U) on the black wire of the driver. Repeat same step for Red wire (connecting to the red driver wire). See figure 4 for wiring diagram of connectors (U).

**Note:** Grey and purple driver wires are not used for this fixture.

7. Line up holes in canopy (J) with canopy pipes (K). Raise canopy (J) close to ceiling and attach safety cable (P) using safety cable nut (Q) that is shipped installed on the mounting bracket (D).



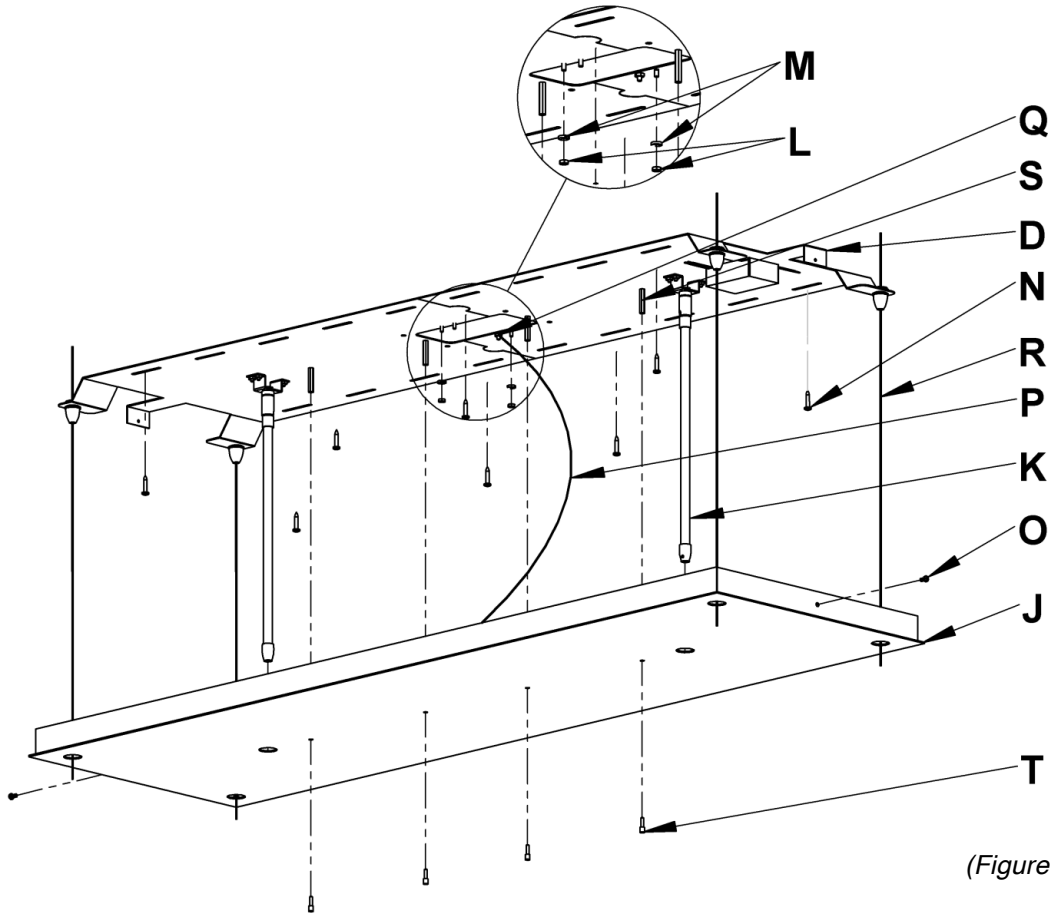
(Figure 2)

# Assembly & Installation Instructions

Spring Pendant 139751D

**A435**

Page 3 of 6



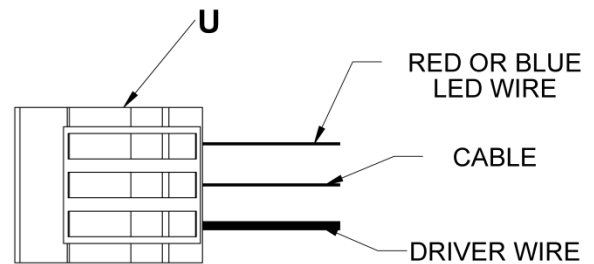
(Figure 3)

**Note:** Safety cable is used to temporarily suspend canopy while wiring connections are made.

8. Attach a pigtail lead to both mounting brackets (D) using capped washers (M) and ground nuts (L) that ship installed on each mounting bracket. Run pigtail lead from each bracket to the outlet box. Connect all ground wires (bare copper or green to bare copper or green). Push wires back into outlet box.

**Caution:** Make sure wire connectors are twisted on securely, and no bare wire is exposed.

9. Using suitable wire connectors (not provided) connect driver wires to supply wires (white to white and black to black).
10. Slip supply cables (R) through appropriate holes in canopy (J).
11. Raise canopy (J) and push firmly to ceiling, making sure that no wires are pinched between canopy (J) and ceiling.
12. Screw barrel knobs w/ studs (T) into threaded standoffs (S).
13. To completely secure canopy, thread #8 screws (O) through canopy (J) and into mounting brackets (D).



(Figure 4)

## To Attach Decorative Assembly (Figures 5 & 6)

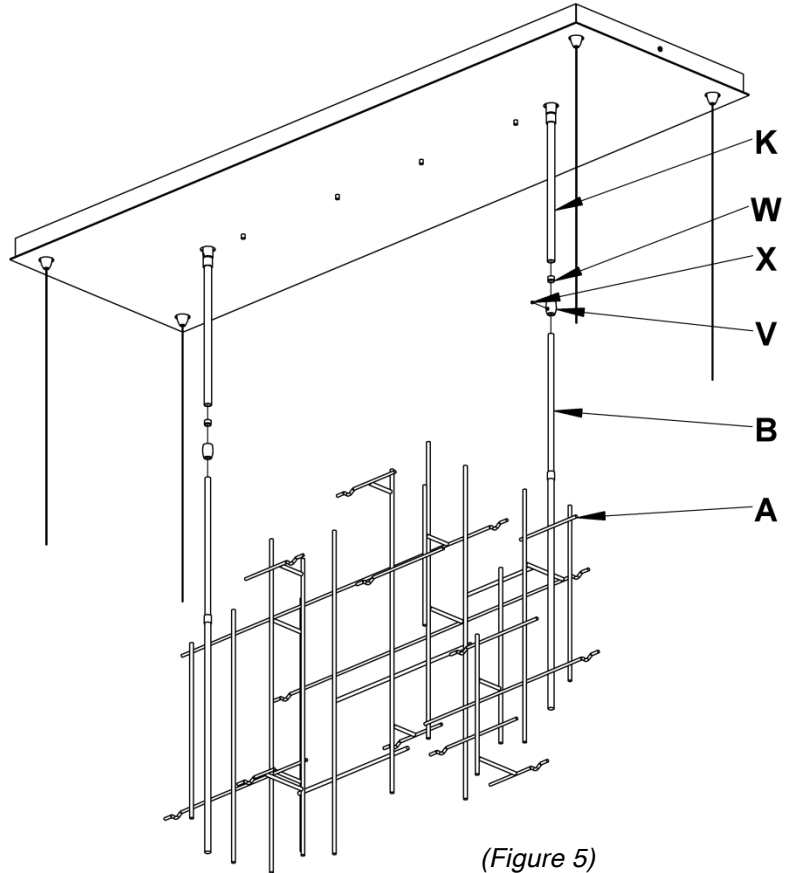
### Component Parts

- A Decorative Assembly
- B Decorative Assembly Pipes (2)
- K Canopy Pipe (2)
- V Clutch (2)
- W Plastic Clutch Sleeve (2)
- X Set Screw (2)

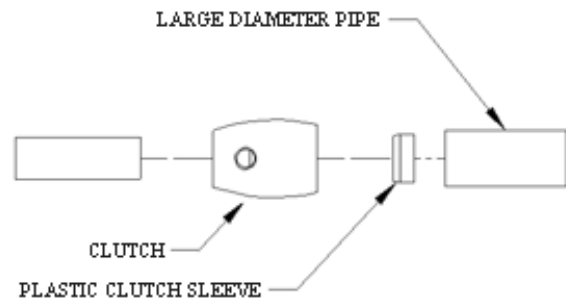
1. Unscrew the clutch (V) from the canopy pipe (K); slide it onto the decorative assembly pipe (B). Follow this with the plastic clutch sleeve (W). Repeat for second set of pipes.

**Note:** the plastic clutch sleeve (W) should be oriented so the tapered end nests in the clutch (V). (Figure 6)

2. Slide the decorative assembly pipe (B) into the canopy pipe (K) as far as necessary to give you the total length of the decorative assembly (A) which you desire. Be careful not to scratch the pipe surfaces. Once desired height has been reached, screw clutch (V) onto canopy pipe (K). There must be a minimum 1-1/2" of inner pipe inside the outer pipe.
3. Tighten set screws (X) in both clutches (V) with supplied hex wrench to lock adjustment.



(Figure 5)



(Figure 6)

# Assembly & Installation Instructions

Spring Pendant 139751D

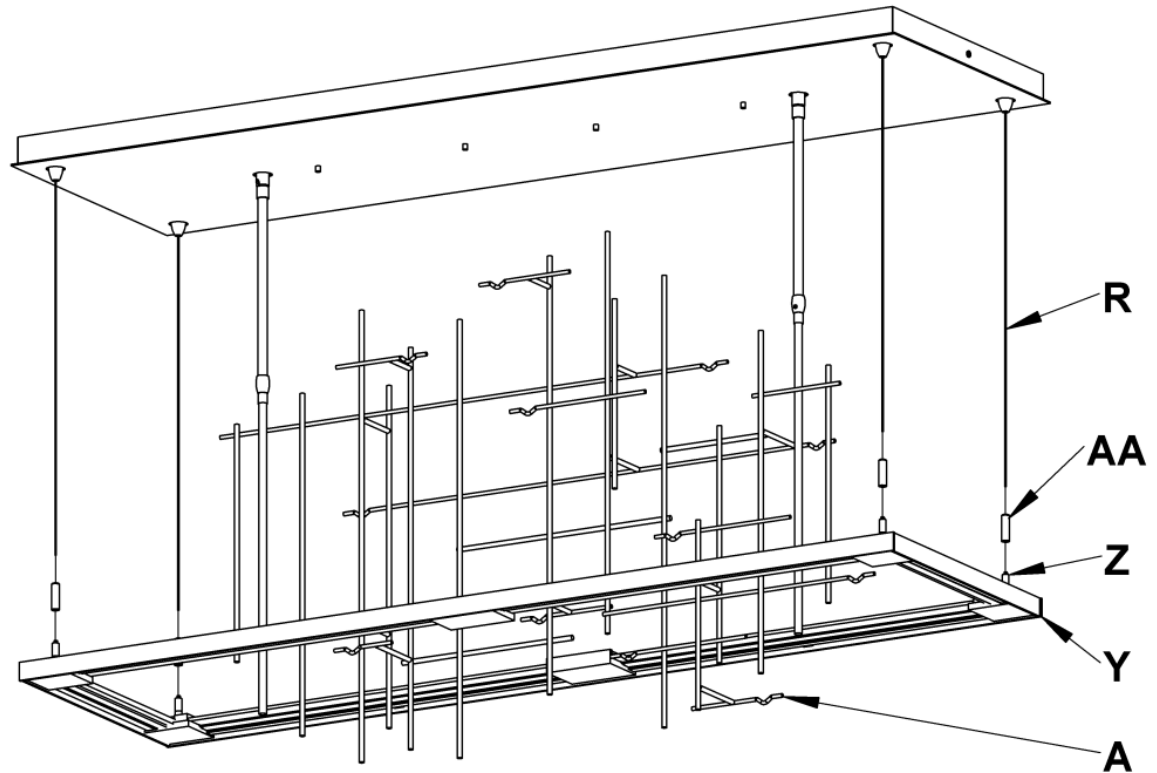
A435

Page 5 of 6

## To Install LED Assembly (Figure 7)

### Component Parts

- A Decorative Assembly
- R Supply Cable (4)
- Y LED Assembly
- Z Gripper (4)
- AA Gripper Cover (4)



(Figure 7)

1. Insert supply cable (R) through gripper cover (AA) and into gripper (Z) until cable sticks through the slot in the side of the gripper (Z).

**Note:** Gripper covers (AA) are shipped in kit bag.

2. Repeat with remaining supply cables (R).
3. Continue pulling supply cables (R) through grippers (Z) until correct LED assembly (Y) height is achieved. Be sure to keep LED assembly (Y) level.

**Note:** If fixture needs to be lowered, push down on top of gripper (Z) to release cable.

4. Use diagram on page 1 for recommended location of LED assembly (Y) in relation to decorative assembly (A).
5. Once desired height of the LED assembly (Y) is achieved, cut off the excess cable (R) as close to the gripper (Z) as possible.

**Caution:** Once excess cable is cut, fixture cannot be lowered.

6. Screw gripper covers (AA) onto grippers (Z).
7. See instructions on next page for installing glass.

# Assembly & Installation Instructions

Spring Pendant 139751D

**A435**

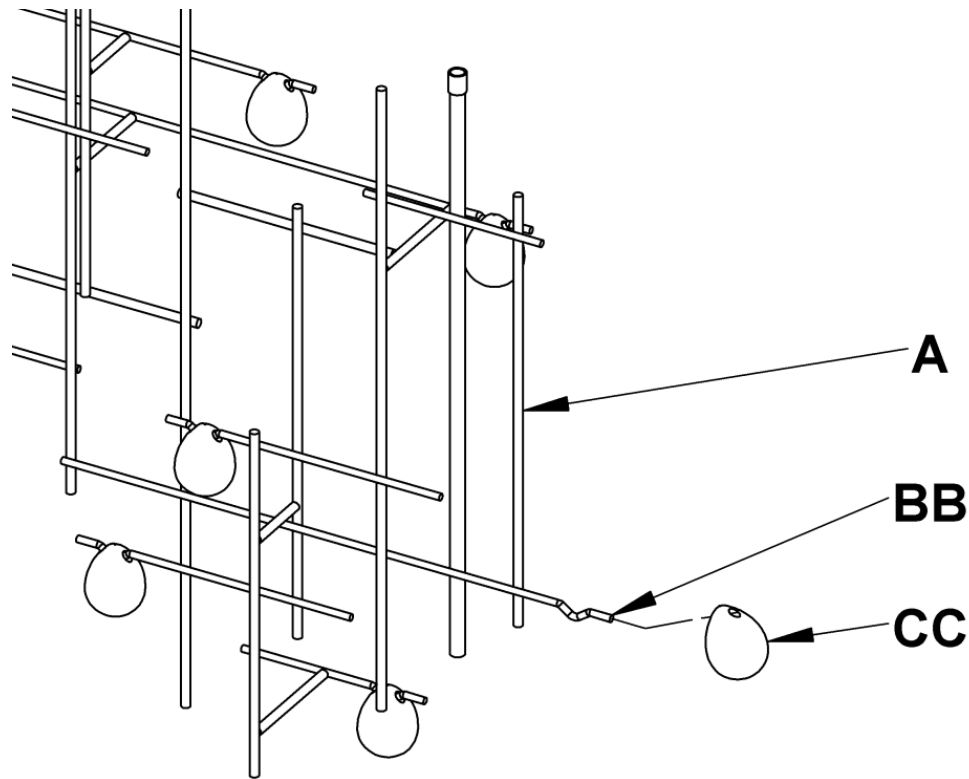
Page 6 of 6

## **To Install Glass** (Figure 8)

### Component Parts

- A Decorative Assembly
- BB Bent Rod (13)
- CC Glass (13)

1. Rotate glass (CC) and slide onto the end of bent rods (BB). Glass (CC) will hang in bent section of the rod (BB).
2. Repeat with remaining glass (CC).
3. Restore electricity at main breaker



(Figure 8)

*If you need further assistance, or find that you are missing any parts, please contact the dealer from which you purchased this product. We hope you enjoy your fixture!*

\* Hubbardton Forge will not be liable for injury or damage caused by improper installation, lamping or use of this fixture.