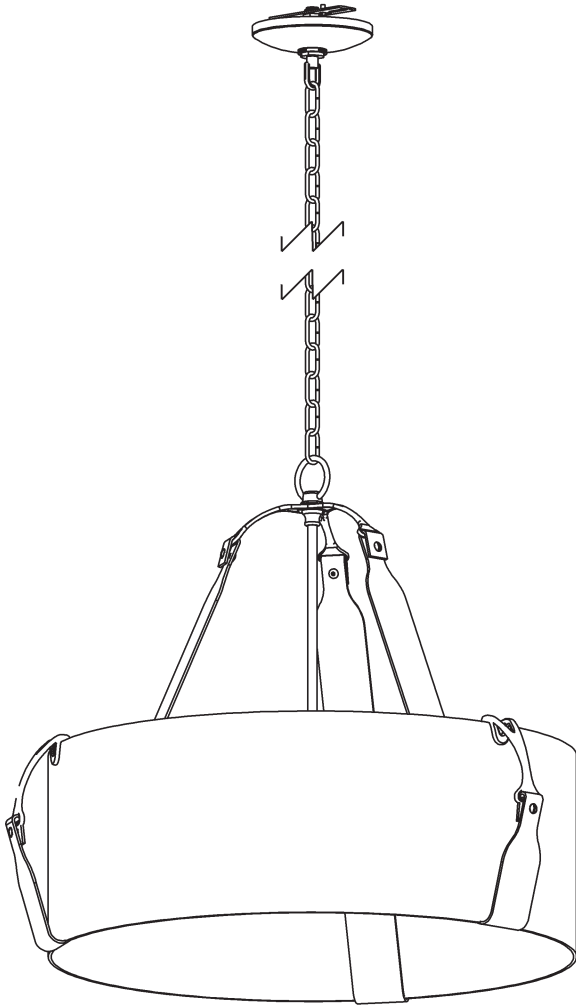


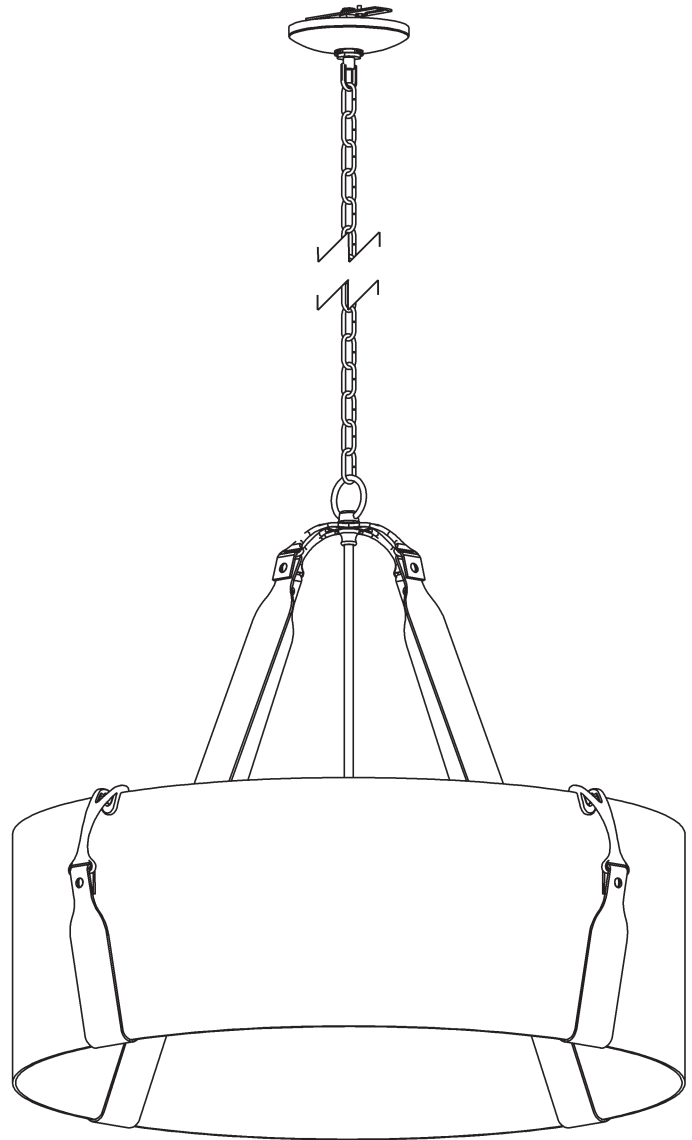
# ASSEMBLY & INSTALLATION INSTRUCTIONS

A664

Saratoga Pendants Small 104070 & Large 104072



104070  
(shown in illustrations)



104072



HUBBARDTON FORGE.

## Component Parts

- A Crossbar**
- B Lock Nut**
- C Nipple**
- D Ground Screw**
- E Canopy**
- F Canopy Ring**
- G Canopy Loop**
- H Chain**
- I Fixture Loop**
- J Fixture**
- K Leather Strap (3)**
- L Binding Screw (6)**
- M Hook (3)**
- N Socket (3)**
- O Shade**



Saratoga Pendants Small 104070 & Large 104072

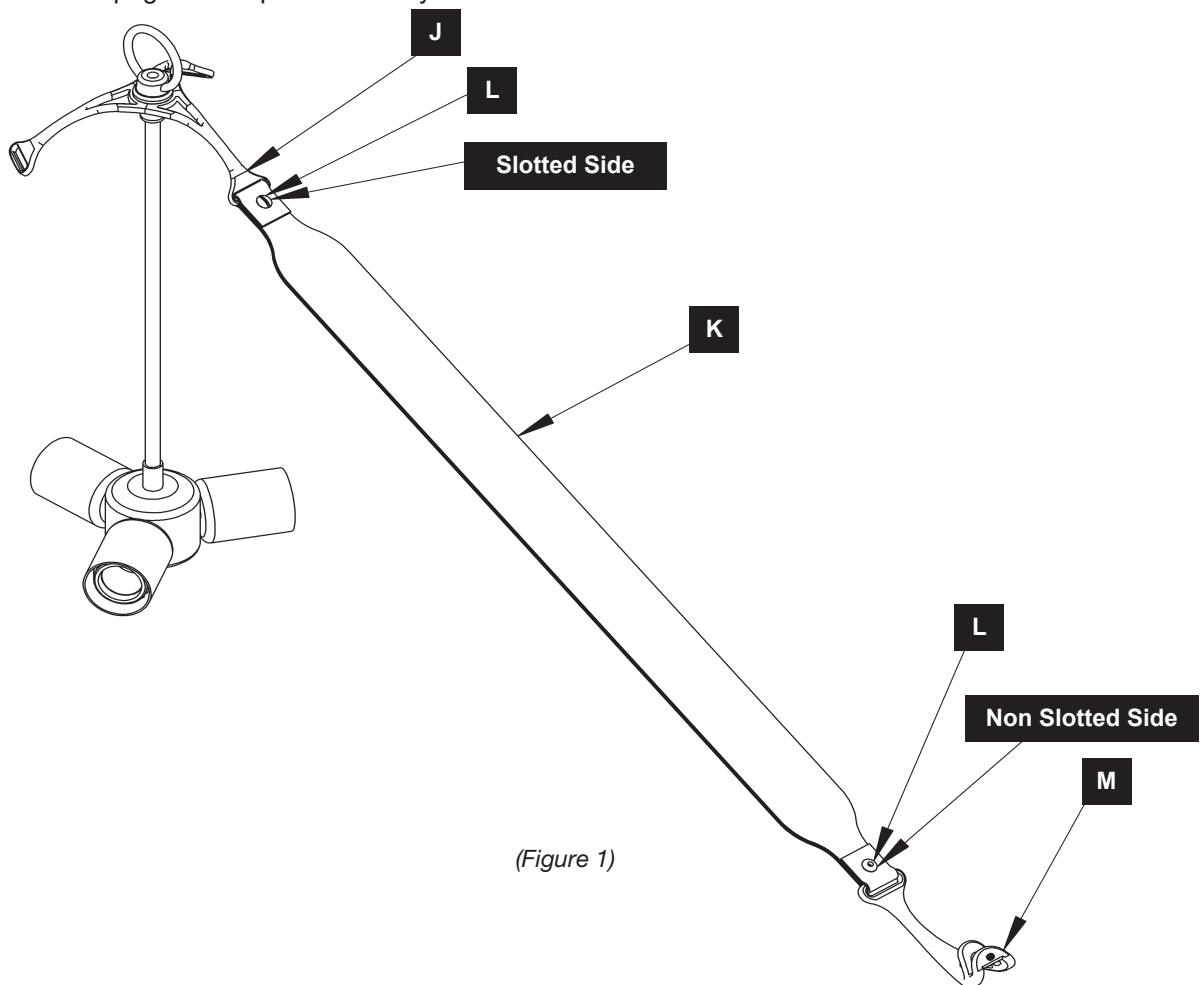
**CAUTION:** FAILURE TO INSTALL THIS FIXTURE PROPERLY MAY RESULT IN SERIOUS PERSONAL INJURY OR DEATH AND PROPERTY DAMAGE. We recommend installation by a licensed electrician. This product must be installed in accordance with applicable installation code(s), by a person familiar with the construction and operation of the product and the hazards involved.\*

**Caution:** Do not exceed maximum wattage noted on fixture. Use only recommended bulbs with fixture.

*Please Note: After installation extra hardware and accessories are possible; our kits are used on multiple products.*

## To Install Leather & Hooks (Figure 1)

1. Carefully unpack leather straps (K) and fixture (J) from the carton.
2. Binding screws (L) are shipped installed in leather straps (K). Remove these and retain for later step.
3. Slide one end of leather strap (K) up through fixture (J). Fold over onto itself and secure with binding screw (L). Slotted side of binding screw (L) should be facing direction shown in Figure 1.
4. Slide remaining end of leather strap (K) up through hook (M). Be sure hook (M) orientation matches Figure 1. Fold strap over onto itself and secure with binding screw (L). Slotted side of binding screw will be facing direction shown in Figure 1 - opposite direction of first installed binding screw (L).
5. Repeat steps 2 thru 4 for remaining leather straps (K)
6. Follow steps on next page to complete assembly & installation.



## To Install Fixture (Figure 2)

**CAUTION:** BE SURE POWER IS OFF AT THE MAIN BREAKER BOX PRIOR TO INSTALLATION.

1. Carefully unpack fixture from the carton.
2. Using two machine screws (not provided), fasten the crossbar (A) to the electric box with the head of the ground screw (D) facing down.

**Note:** A new electric box comes with screws. When replacing a fixture, retain the existing screws for use with the new fixture.

3. Adjust the length of nipple (C) in crossbar (A) so that canopy ring (F), which comes threaded onto canopy loop (G), will hold canopy (E) against the ceiling with no threads showing for best appearance. When the correct adjustment is established, tighten lock nut (B) against crossbar (A).

4. Remove the crossbar (A) assembly from electrical box.

5. Attach one end of the chain (H) to the fixture loop (I). Lace the wires through every other link of the chain to the end. Slip wires and chain through canopy (E) and canopy ring (F). Allow canopy ring and canopy to slide down chain and rest on fixture loop (I).

**Note:** Fixture is shipped with quick links attached to each end of chain to aid in chain installation.

6. Slip wires through the canopy loop (G) and nipple (C). Make sure to provide enough slack in the wire to ensure weight of fixture is supported by the chain (H).

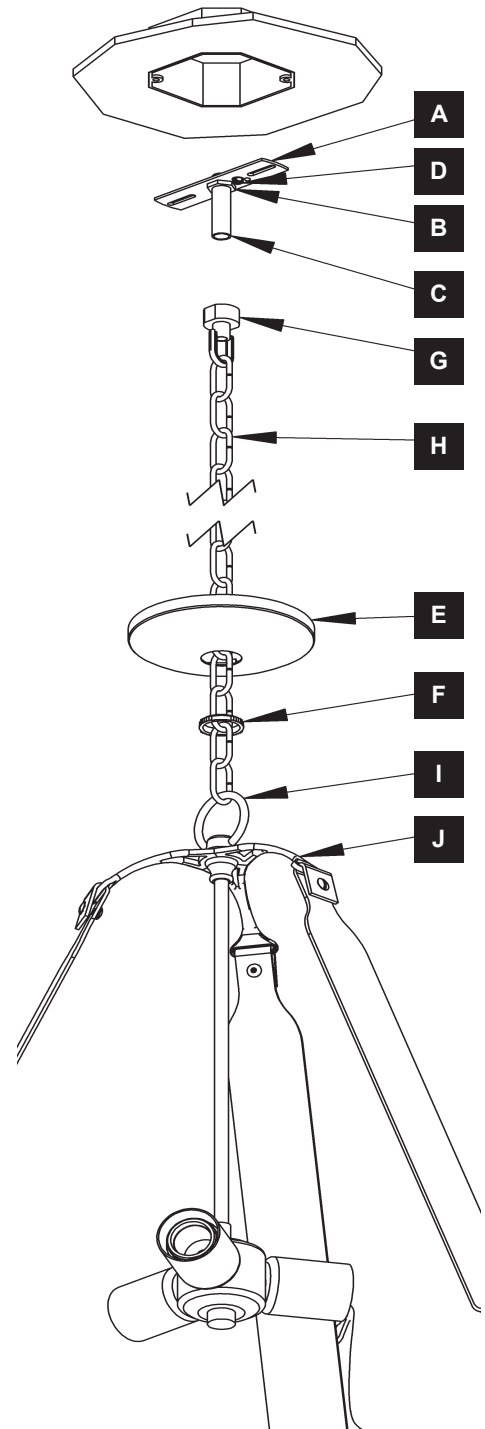
7. Using two machine screws (not provided), reattach the crossbar (A) to the electric box.

8. Using suitable wire connectors (not provided) connect fixture wires to supply wires (white to ribbed side of the fixture cord, black to smooth side). Run a pigtail lead from crossbar ground screw (D) to the junction box and connect all ground wires (bare copper or green to bare copper or green).

**CAUTION:** MAKE SURE WIRE CONNECTORS ARE TWISTED ON SECURELY AND NO BARE WIRE IS EXPOSED.

9. Raise canopy (E) to the ceiling and secure canopy ring (F) to canopy loop (G).

10. Follow steps on next page to complete installation.



(Figure 2)

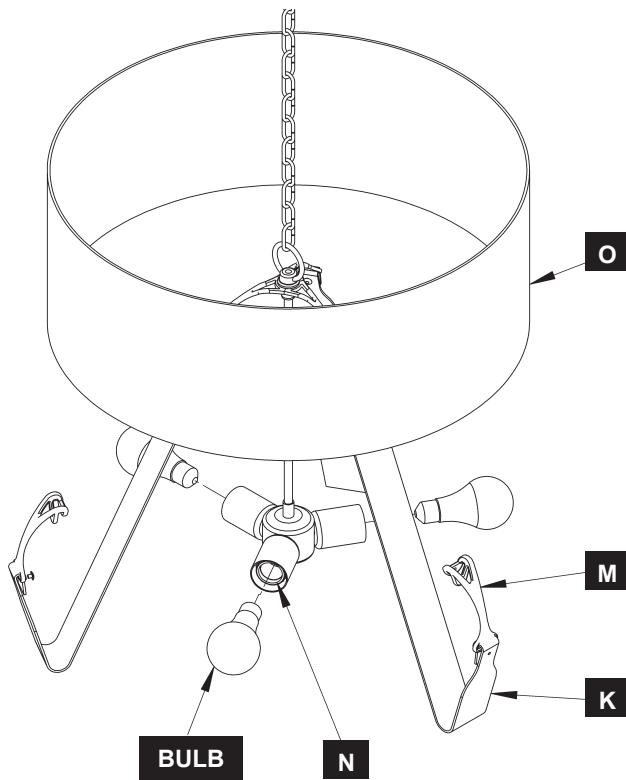
# ASSEMBLY & INSTALLATION INSTRUCTIONS

A664

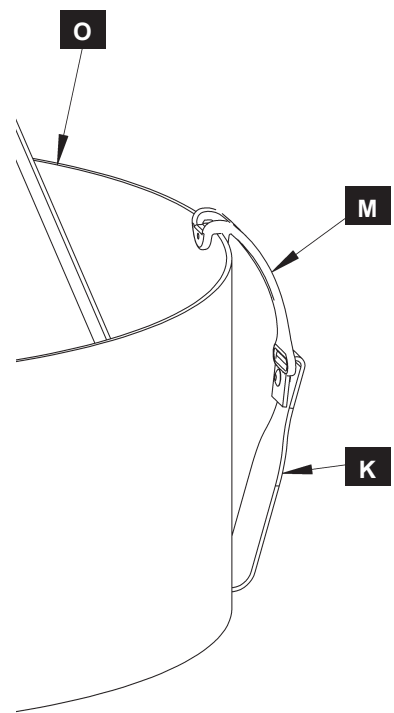
Saratoga Pendants Small 104070 & Large 104072

## To Install Shade (Figures 3 & 4)

1. Install bulbs (not provided) into sockets (N).
2. Unpack shade (O).
3. Slide shade (O) up over leather straps (K).
4. Raise leather strap (K) and attach hook (M) to top of shade (O).
5. Repeat with remaining leather straps (K).
6. Relocate hook (M) locations on shade (O) to adjust shade (O) to be level.
7. Restore electricity at main breaker.



(Figure 3)



(Figure 4)

If you need further assistance, or find that you are missing any parts, please contact the dealer from which you purchased this product. We hope you enjoy your fixture!

**\* Hubbardton Forge will not be liable for injury or damage caused by improper installation, lamping or use of this fixture.**