

Installation Instructions

A372

Quill Circular Pendant 135003D

Page 1 of 2

CAUTION: FAILURE TO INSTALL THIS FIXTURE PROPERLY MAY RESULT IN SERIOUS PERSONAL INJURY OR DEATH AND PROPERTY DAMAGE. We recommend installation by a licensed electrician. This product must be installed in accordance with applicable installation code(s), by a person familiar with the construction and operation of the product and the hazards involved.*

Caution: Do not exceed maximum wattage noted on fixture. Use only recommended bulbs with fixture.

To Set Fixture Height (Figure 1)

Component Parts

A	Crossbar	G	Supply/Support Cable
B	Ground Screw	H	Canopy Support Cable
C	Cupped Washer	I	Canopy Support Cable Screw
D	Canopy	J	Anchors
E	#8 Screws (4)	K	#10 Screws
F	Canopy Gripper		

CAUTION: BE SURE POWER IS OFF AT THE MAIN BREAKER BOX PRIOR TO INSTALLATION.

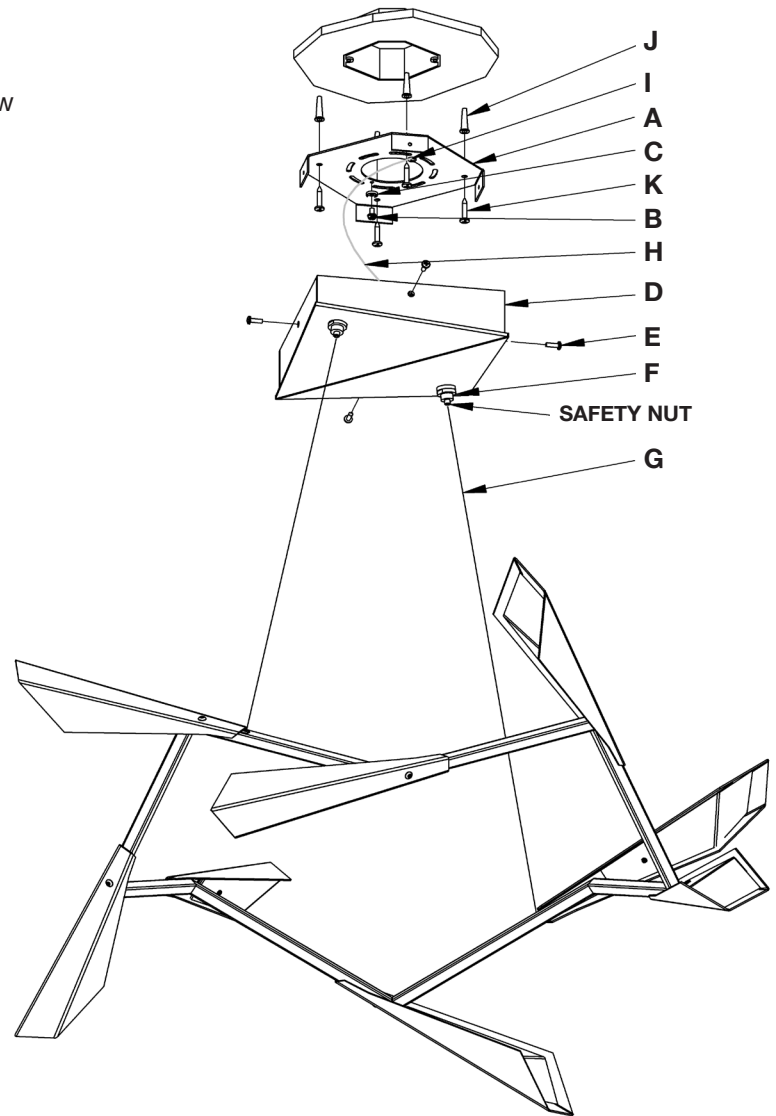
1. Carefully unpack the fixture from the carton.
2. Crossbar (A) is shipped installed in canopy (D). Remove 4 #8 screws (E) to separate crossbar and canopy. Retain screws for use later.
3. Height of fixture should be set prior to attaching fixture to the ceiling.

Note: Fixture is shipped at max height.

4. Loosen safety nut on canopy gripper (F). It is not necessary to completely remove.
5. Push supply/support cable (G) into canopy gripper (F) until desired height is reached.
6. Retighten safety nut on canopy gripper (F). Repeat for remaining supply/support cable (G).

To Install Fixture (Figure 1)

7. Center the crossbar (A) over the electrical box. With a pencil, mark the location of all mounting holes in the crossbar on the ceiling.
8. Put the crossbar (A) down and drill 1/4" holes in the locations marked on the ceiling. For holes using anchors (J), place the tapered end of the anchors (J) into the holes and gently tap them flush to the ceiling using a light weight hammer.



(Figure 1)

(Continued)

If you need further assistance, or find that you are missing any parts, please contact the dealer from which you purchased this product. We hope you enjoy your fixture!

* Hubbardton Forge will not be liable for injury or damage caused by improper installation, lamping or use of this fixture.

To Install the Fixture (Figure 1)

(Continued)

9. Thread the wires in the electrical box through the center hole in the crossbar (A) while moving it into position. Using the #10 screws (K), screw the crossbar securely to the ceiling. Be careful not to over-tighten or strip the anchors.
10. Using two machine screws (not provided) fasten the crossbar (A) to the electric box.

Note: A new electric box comes with screws. When replacing an existing fixture, retain screws for use with the new fixture.

11. Raise canopy (D) close to ceiling. Attach support cable (H) to crossbar (A) using the canopy support cable screw (I), from mounting kit, to temporarily support fixture while wiring.
12. Using suitable wire connectors (not provided) connect fixture wires to supply wires (white to white, black to black). Run a pigtail lead from crossbar ground screw (B) and cupped washer (C) to the junction box and connect all ground wires (bare copper or green to bare copper or green). Ground screw (B) and cupped washer (C) are shipped in the mounting kit. (Figure 1)

CAUTION: MAKE SURE WIRE CONNECTORS ARE TWISTED ON SECURELY, AND NO BARE WIRE IS EXPOSED.

13. Align holes in canopy (D) with holes in crossbar (A) and secure with (4) #8 screws (E).
14. If fixture needs to be lowered to achieve desired height, loosen safety nut, push up on canopy gripper (F) and gently pull down on supply/support cable (G).
15. Restore electricity at main breaker.

If you need further assistance, or find that you are missing any parts, please contact the dealer from which you purchased this product. We hope you enjoy your fixture!

***Hubbardton Forge will not be liable for injury or damage caused by improper installation, lamping or use of this fixture.**