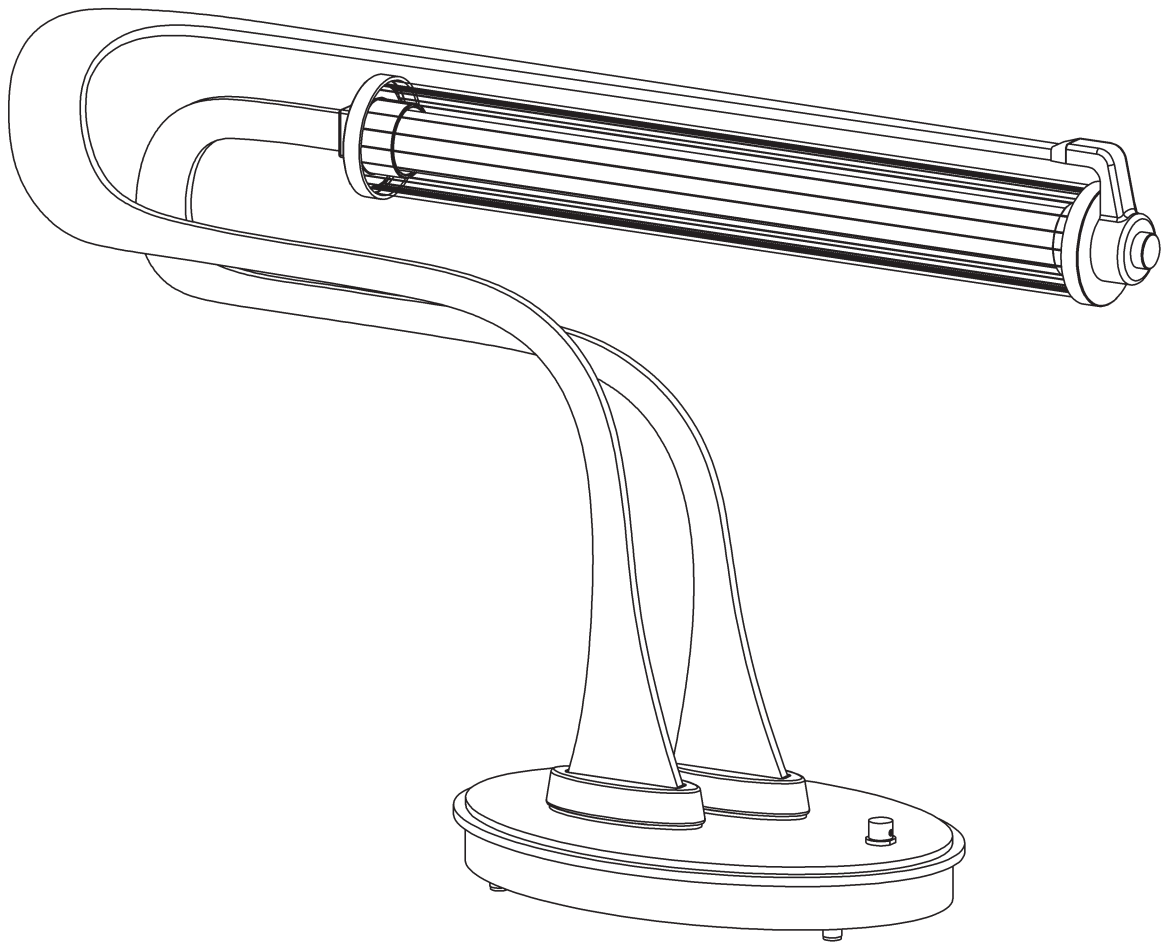


ASSEMBLY & INSTALLATION INSTRUCTIONS

272116 Pulse LED Table Lamp

C101



HUBBARDTON FORGE.

MODERN AMERICAN BLACKSMITHS | FINE, HAND CRAFTED LIGHTING
CASTLETON, VERMONT USA | HUBBARDTONFORGE.COM

Component Parts

- A Fixture**
- B LED Glass Assembly**
- C Endcap (2)**
- D Stud (2)**
- E Adapter**
- F Bracket**
- G Screw**
- H Lock Washer**
- I Washer**
- J Standoff**
- K Cover**
- L Cap**

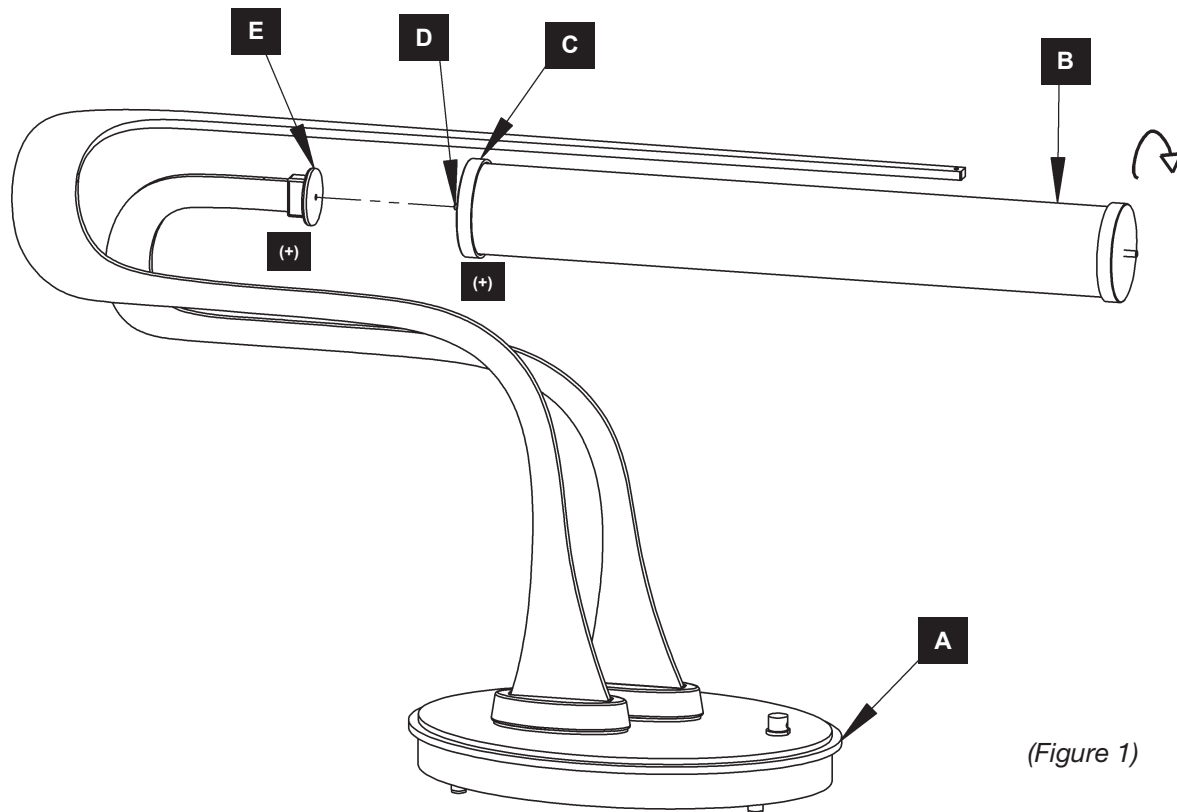


CAUTION: FAILURE TO INSTALL THIS FIXTURE PROPERLY MAY RESULT IN SERIOUS PERSONAL INJURY OR DEATH AND PROPERTY DAMAGE. We recommend installation by a licensed electrician. This product must be installed in accordance with applicable installation code(s), by a person familiar with the construction and operation of the product and the hazards involved.*

Caution: Do not exceed maximum wattage noted on fixture. Use only recommended bulbs with fixture.

Install LED Glass Assembly (Figures 1)

1. Carefully unpack fixture from carton.
2. Locate LED glass assembly (B).
3. Align stud (D) on (+) end of LED glass assembly (B) with adapter (E).
4. Thread stud (D) into adapter (E) until endcap (C) tightens against adapter (E).
5. Follow instructions on next page to complete assembly.

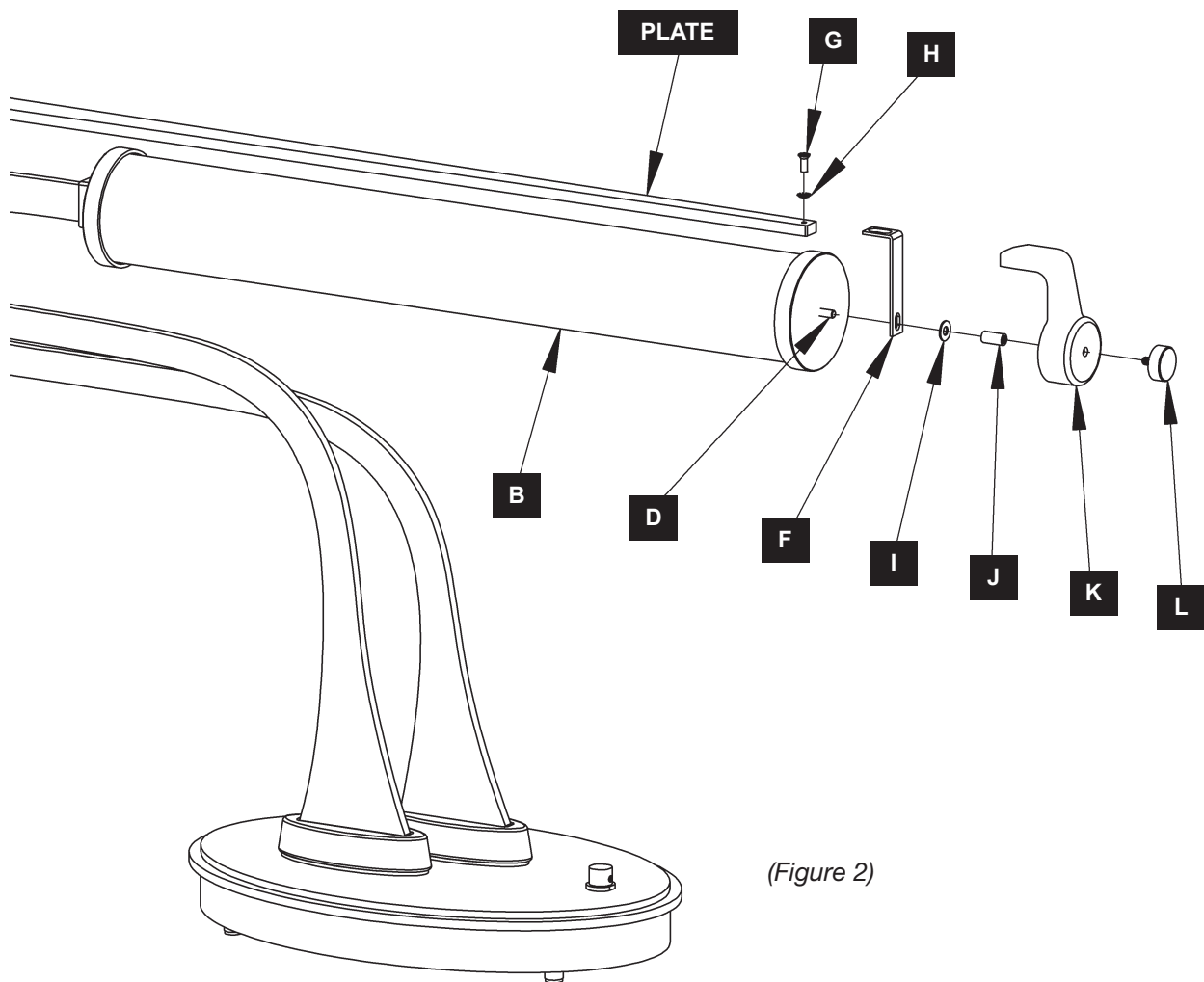


(Figure 1)

272116 Pulse LED Table Lamp

Complete Assembly *(Figure 2)*

1. Place bracket (F) over stud (D) on end of LED glass assembly (B). Bracket (F) should also rest on fixture plate.
2. Install screw (G) and lock washer (H) into bracket (F), then thread into plate.
3. Place washer (I) over stud (D) and thread on standoff (J) until tight against washer (I).
4. Install cover (K) over bracket (F) and thread cap (L) into standoff (J) to secure.
5. Plug in power cord.



(Figure 2)

If you need further assistance, or find that you are missing any parts, please contact the dealer from which you purchased this product.
We hope you enjoy your fixture!

*** Hubbardton Forge will not be liable for injury or damage caused by improper installation, lamping or use of this fixture.**