

# Installation Instructions

For Province Semi-Flush 365650

**A418**

Page 1 of 4

**CAUTION: FAILURE TO INSTALL THIS FIXTURE PROPERLY MAY RESULT IN SERIOUS PERSONAL INJURY OR DEATH AND PROPERTY DAMAGE. We recommend installation by a licensed electrician.**

This product must be installed in accordance with applicable installation code(s), by a person familiar with the construction and operation of the product and the hazards involved.\*

## Prepare Fixture for Installation (Figures 1 & 2)

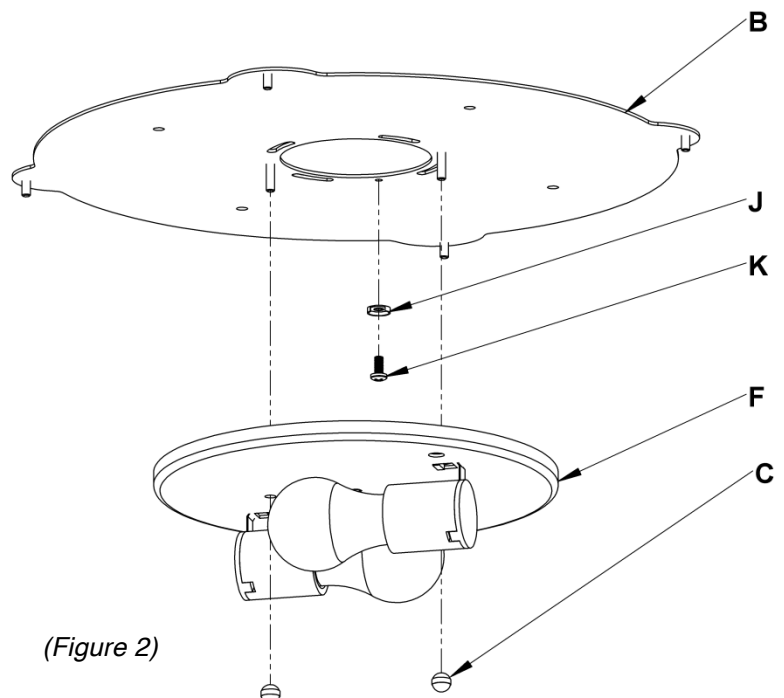
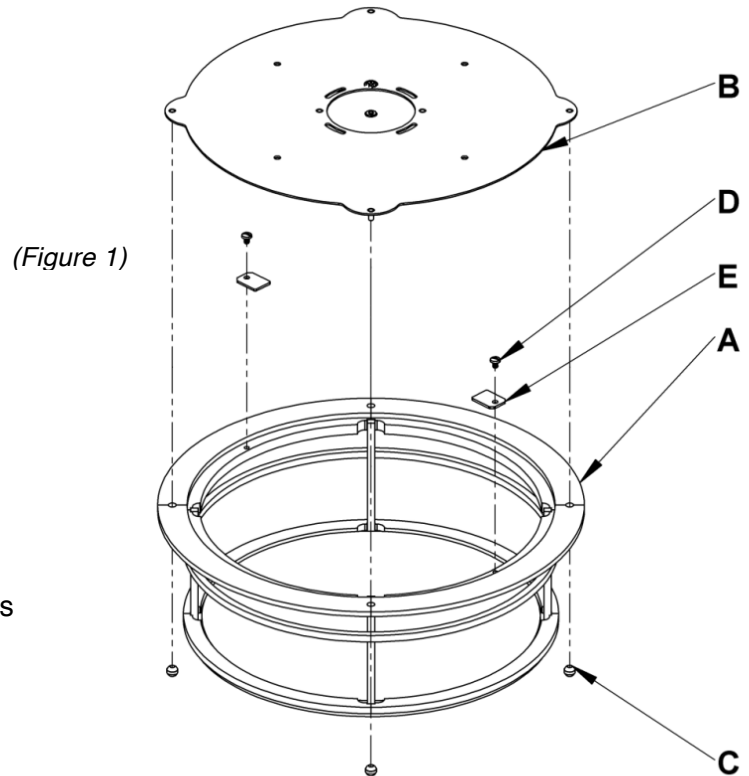
### Component Parts

- A Fixture
- B Mounting Bracket
- C Knurled Balls (6)
- D Slotted Screw (2)
- E Glass Retaining Tab (2)
- F White socket can
- J Cupped Washer
- K Ground Screw

**Caution: Be sure power is off at the main breaker box prior to installation.**

1. Carefully unpack the fixture from the carton.
2. Remove 4 knurled balls (C) and remove bracket (B) from fixture (A). (Figure 1) Retain knurled balls for later use. *Bracket ships installed.*
3. Unscrew slotted screws (D) from fixture (A). Remove glass retaining tabs (E). Retain screws (D) and tabs (E) for later use.
4. Remove 2 knurled balls (C) and slide white socket can (F) off studs. Set aside knurled balls (C) and white socket can (F) for use in later step. (Figure 2)
5. Attach pigtail lead to mounting bracket (B) using the ground screw (K) and cupped washer (J).

To install fixture directly to electrical box see next step. To install using anchors skip to **Install fixture using anchors**.



(continued)

# Installation Instructions

For Province Semi-Flush 365650

**A418**

Page 2 of 4

## Install fixture to Electrical Box (Figure 3)

### Component Parts

- B Mounting Bracket
- C Knurled Balls (2)
- F White socket can
- J Cupped Washer
- K Ground Screw

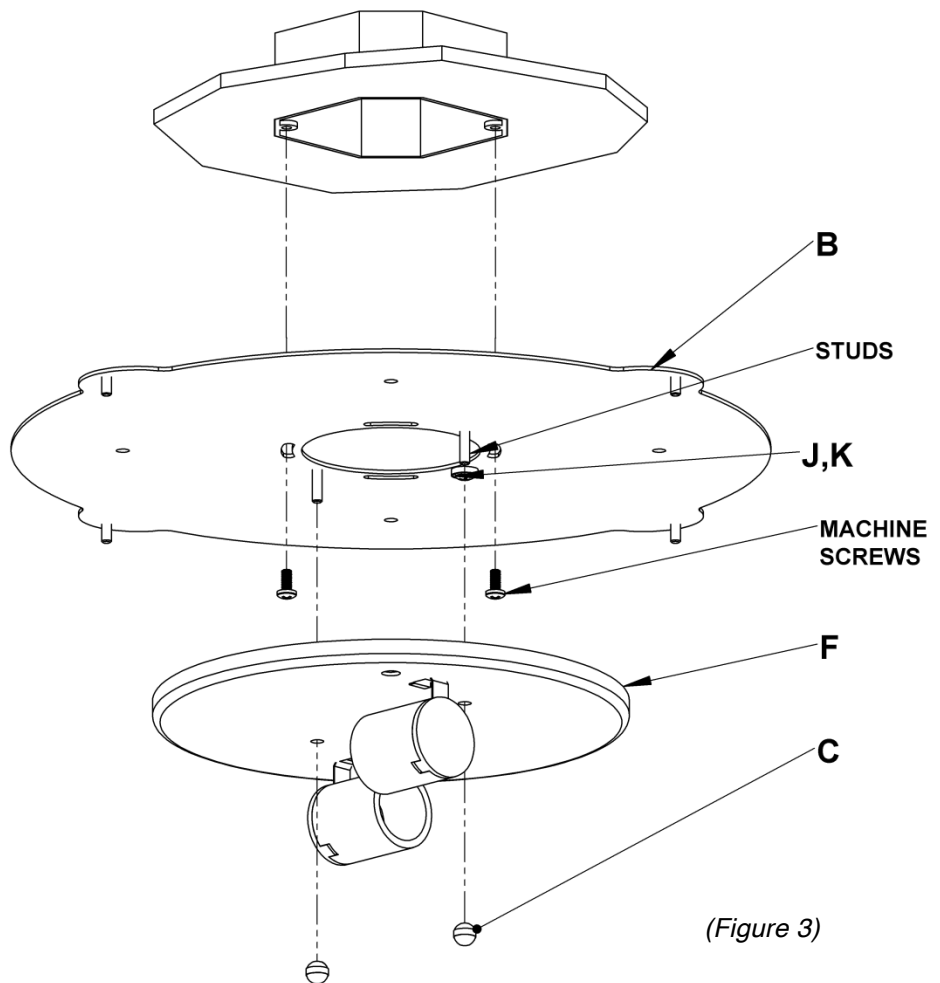
1. Thread the wires in the electrical box through the hole in the mounting bracket (B) while moving the bracket into position. Using two machine screws (not provided) fasten bracket (B) to the electric box using oval holes to orient fixture to desired hanging position.

**Note:** A new electric box comes with screws. When replacing a fixture, retain the existing screws for use with the new fixture.

2. Hold white socket can (F) close to the mounting bracket (B) and using suitable wire connectors (not provided) connect fixture wires to supply wires (white to white and black to black). Connect pigtail lead from the ground screw (K) and cupped washer (J). Connect pigtail lead and fixture ground wire to electrical box ground (bare copper or green to bare copper or green).

**Caution:** Make sure wire connectors are twisted on securely, and no bare wires are exposed.

3. Carefully tuck all wires into electrical box while sliding white socket can (F) over studs, secure in place with knurled balls (C). Continue to 'Glass Installation'



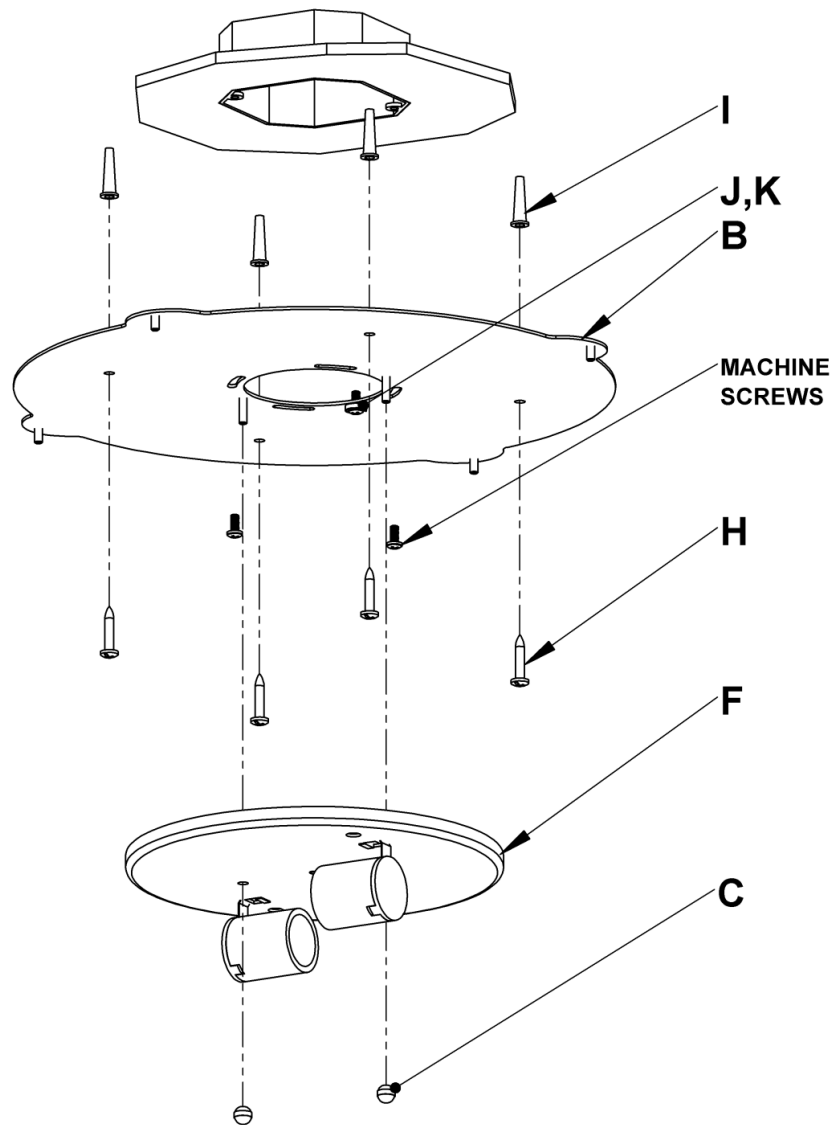
(continued)

## Install fixture using anchors (Figure 4)

### Component Parts

- B Mounting Bracket
- C Knurled Balls (2)
- F White socket can
- H #10 Screws (4)
- I Anchors (4)
- J Cupped Washer
- K Ground Screw

1. Place the mounting bracket (B) over the electrical box. With a pencil, mark the location of all mounting holes in the bracket (B) on the ceiling.  
**IMPORTANT:** Mounting brackets must be secured to a solidly mounted to a framing member in at least two locations. Do not depend on drywall anchors alone to support this fixture. If in doubt, contact a qualified electrician.
2. Drill 1/4" holes in the locations marked on the ceiling. For holes using anchors, place the tapered end of the anchors (I) into the holes and gently tap them flush to the ceiling using a light weight hammer.
3. Thread the wires in the electrical box through the hole in the mounting bracket (B) while moving the bracket into position.
4. Using the 1" #10 screws (D), screw the bracket (B) securely to the ceiling. Be careful not to over-tighten or strip the anchors.



(Figure 4)

5. Hold white socket can (F) close to mounting bracket (B) and using Connect pigtail lead from the ground screw (K) and cupped washer (J). Connect pigtail lead and fixture ground wire to electrical box ground (bare copper or green to bare copper or green).  
**Caution:** Make sure wire connectors are twisted on securely, and no bare wires are exposed.
6. Carefully tuck all wires into electrical box while sliding white socket can (F) over studs, secure in place with knurled balls (C). Continue to 'Glass Installation'

(continued)

# Installation Instructions

For Province Semi-Flush 365650

**A418**

Page 4 of 4

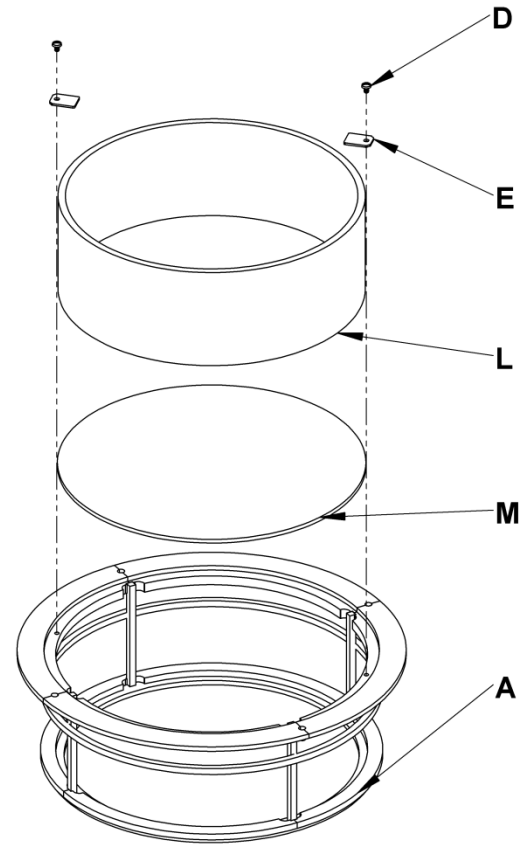
## Glass Installation (Figure 5)

### Component Parts

- A Fixture
- D Slotted Screw (2)
- E Glass Retaining Tab (2)
- L Glass
- M Diffuser

1. Set diffuser (M) down into fixture (A).
2. Set glass (L) into fixture until it rests on the diffuser (M).
3. Place glass retaining tabs (E) on fixture lining up holes in tabs (E) with tapped holes in fixture. Position tabs so that they extend over the edge of the glass (L). Install slotted screws (D).

(Figure 5)



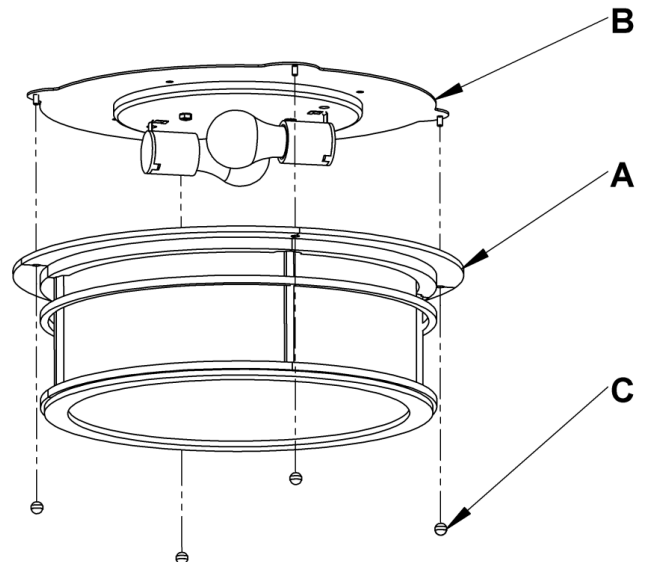
## To Install Fixture (Figure 6)

### Component Parts

- A Fixture
- B Mounting Bracket
- C Knurled Balls (4)

1. Raise fixture (A) up to mounting bracket (B), aligning studs in mounting bracket (B) with holes in fixture (A).
2. Thread 4 knurled balls (C) onto studs.
3. Restore electricity at main breaker.

(Figure 6)



*If you need further assistance, or find that you are missing any parts, please contact the dealer from which you purchased this product. We hope you enjoy your fixture!*

\* Hubbardton Forge will not be liable for injury or damage caused by improper installation, lamping or use of this fixture.