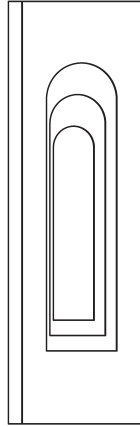
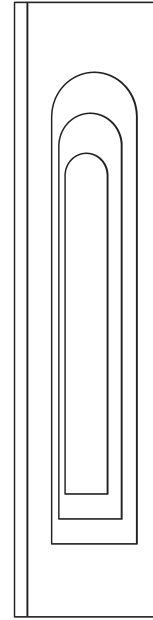


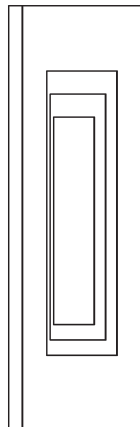
ASSEMBLY & INSTALLATION INSTRUCTIONS



403046

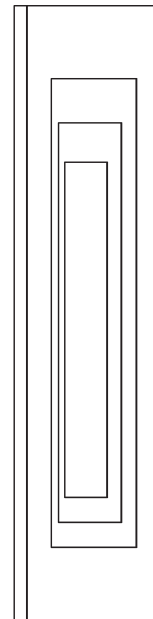


403087



403052

Instructions cover all versions



403061

ASSEMBLY & INSTALLATION INSTRUCTIONS

COMPONENT PARTS

A	Front Plate Assembly
B	Top Plate
C	Backplate
D	Accent Plate 1
E	Accent Plate 2
F	Rubber Washer
G	Mounting Bracket
H	#10 Screws (8)
I	#8 Screws (12)
J	Glass Shield (2)
K	Anchor (8)
L	Ground Screw
M	Cupped Washer
N	Socket (2)
O	Bulb (2)
P	Threaded standoff (2)
Q	Diffuser
R	Accent
S	Retaining cup (2)

ASSEMBLY & INSTALLATION INSTRUCTIONS

CAUTION: FAILURE TO INSTALL THIS FIXTURE PROPERLY MAY RESULT IN SERIOUS PERSONAL INJURY OR DEATH AND PROPERTY DAMAGE. We recommend installation by a licensed electrician. This product must be installed in accordance with applicable installation code(s), by a person familiar with the construction and operation of the product and the hazards involved.*

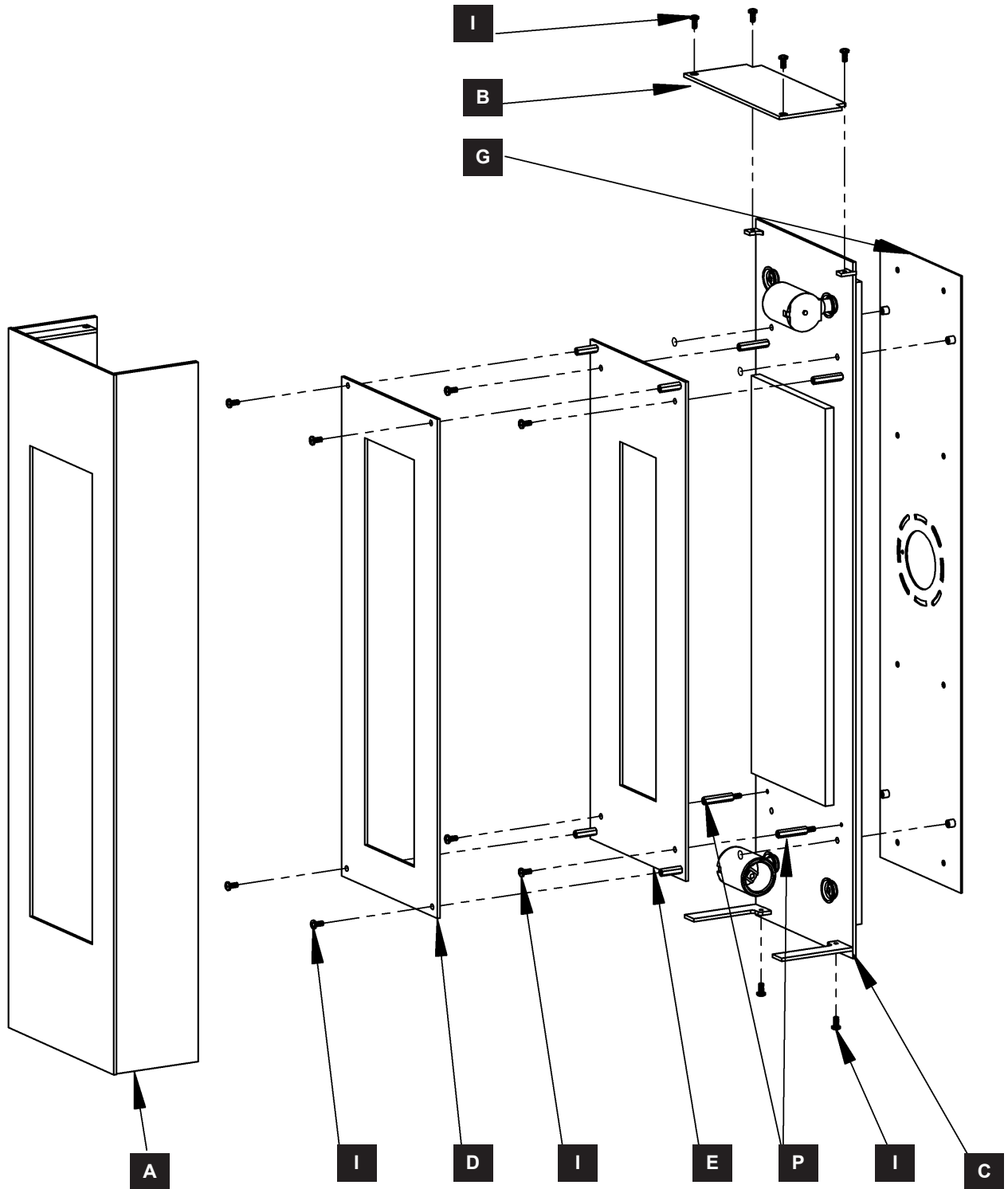
Caution: Do not exceed maximum wattage noted on fixture. Use only recommended bulbs with fixture.

To Prepare Fixture for Installation (Figure 1)

CAUTION: BE SURE POWER IS OFF AT THE MAIN BREAKER BOX PRIOR TO INSTALLATION.

1. Carefully unpack the fixture from the carton.
2. Remove plastic wrap and separate the mounting bracket (G) from the fixture and set aside.
3. Remove (2) #8 screws (I) that secure the top plate (B). Remove top plate and set aside.
4. Remove (4) #8 (I) screws that hold the front plate assembly (A) on to the backplate (C). Remove front plate assembly (A) and set aside.
5. Remove (4) #8 (I) screws that hold accent plate 1 (D) on. Remove accent plate A and set screws and plate aside.
NOTE: Be sure to maintain correct orientation of the plates for reinstallation.
6. Remove (4) #8 (I) screws that hold accent plate 2 (E) on. Remove accent plate B and set screws and plate aside.
7. Remove the (2) threaded standoffs (P) at the bottom of the backplate (C).

ASSEMBLY & INSTALLATION INSTRUCTIONS



(Figure 1)

ASSEMBLY & INSTALLATION INSTRUCTIONS

To Install Fixture (Figures 2-3)

1. Place the mounting bracket (G) over the electrical box being sure to hold it level. Line up holes in mounting bracket with holes in electrical box. With a pencil, mark the location of all mounting holes in the mounting bracket on the wall behind. Set bracket aside.
2. Drill 1/4" holes in the locations marked on the wall. Place the tapered end of the anchors (K) into the holes and gently tap them flush to the wall using a light weight hammer.
3. Thread the wires in the electrical box through the hole in the mounting bracket (G) while moving the bracket into position. Using two machine screws (not provided) attach mounting bracket (G) to the electrical box.

Note: A new electric box comes with screws. When replacing a fixture, retain the existing screws for use with the new fixture.

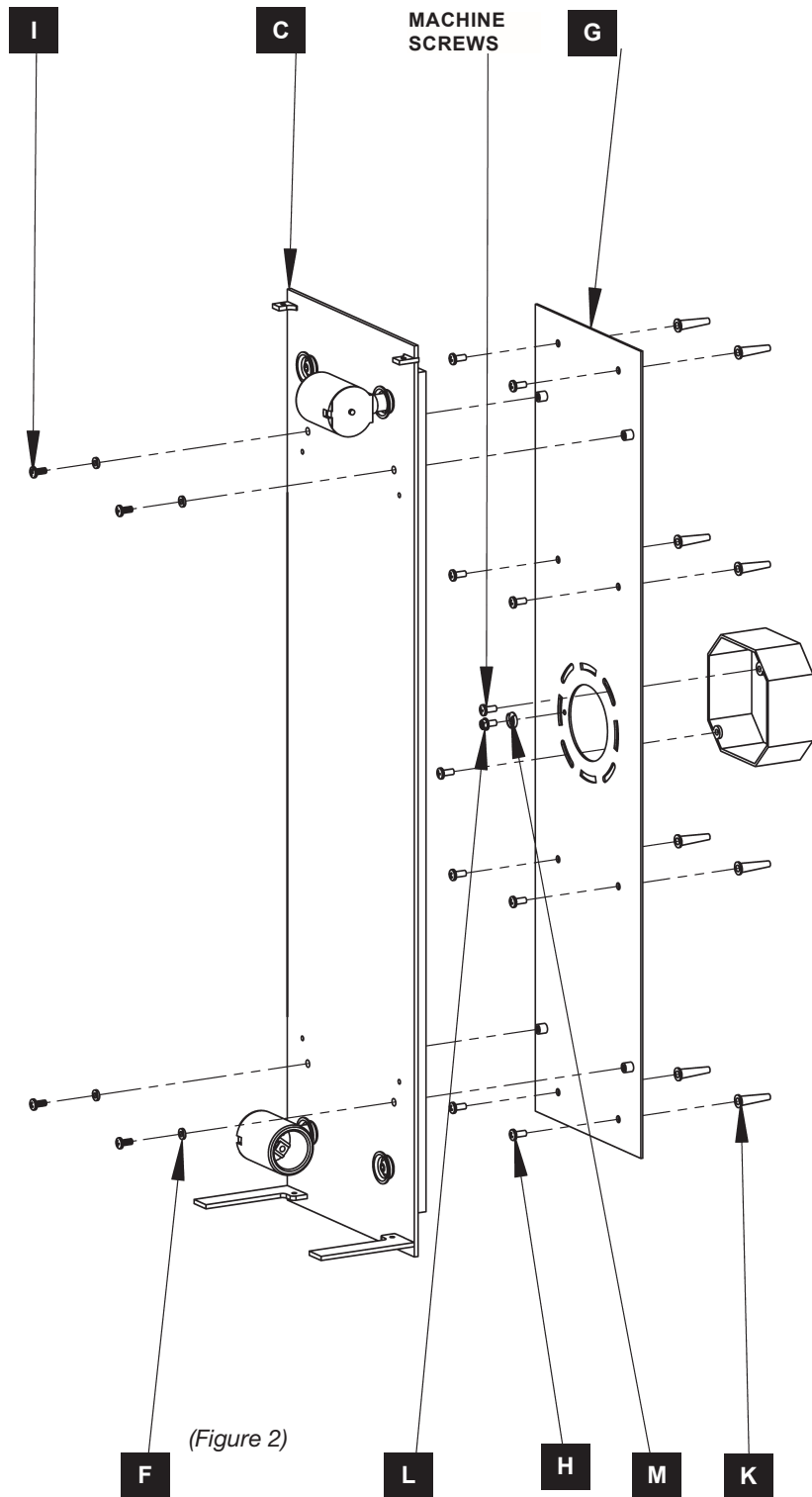
4. Using #10 screws (H), screw the mounting bracket securely to the wall. Be careful not to over-tighten or strip the anchors (K).
5. Attach a pigtail lead to the mounting bracket (G) using the ground screw (L) and cupped washer (M) found in kit bag.
6. Hold the backplate (C) close to the mounting bracket (G) and using suitable wire connectors (not provided), connect fixture wires to supply wire (white to white and black to black). Connect all ground wires (bare copper or green to bare copper or green).

CAUTION: MAKE SURE WIRE CONNECTORS ARE TWISTED ON SECURELY, AND NO BARE WIRES ARE EXPOSED.

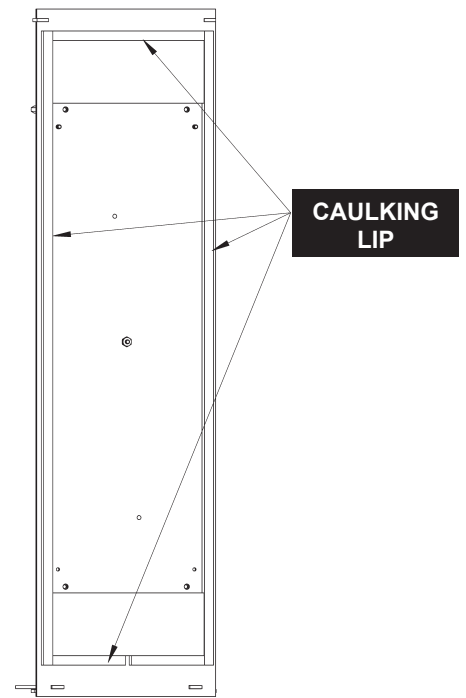
7. Apply a generous bead of a suitable caulking material (not provided) to caulking lip on the backplate (C). Caulk should be applied around the entire perimeter of the backplate (Figure 3).
8. Carefully tuck all wires behind backplate and inside the mounting bracket (G). Place backplate firmly onto bracket and fasten with (4) 8-32 screws (I) and rubber washers (F).

Note: Be sure no wires are pinched between wall and fixture.

ASSEMBLY & INSTALLATION INSTRUCTIONS



(Figure 2)



BACK VIEW

(Figure 3)

ASSEMBLY & INSTALLATION INSTRUCTIONS

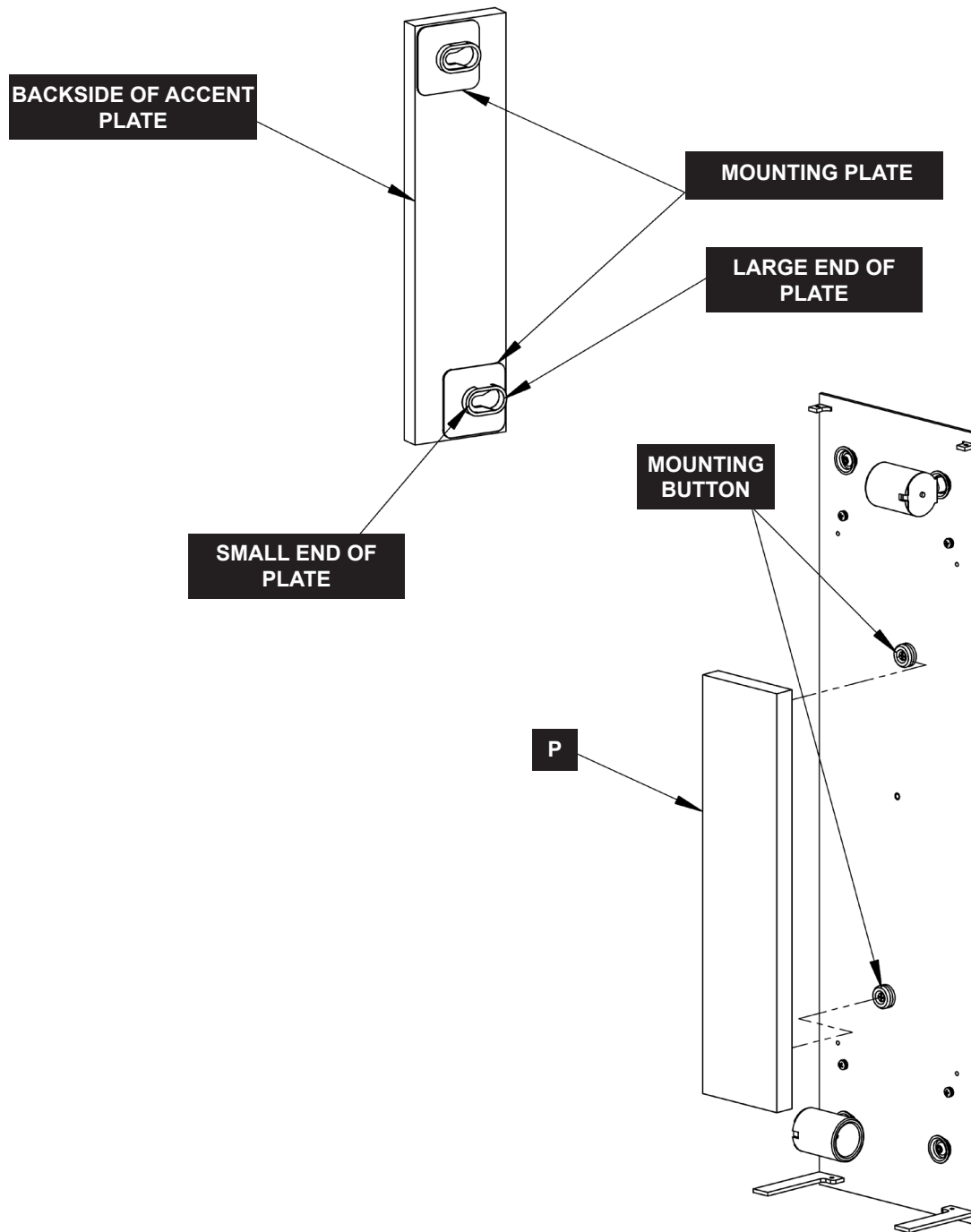
To Complete Installation *(Figure 4)*

1. Locate accent piece (R).

Note: *Accent pieces vary in size. Figures represent crystal accent panel.*

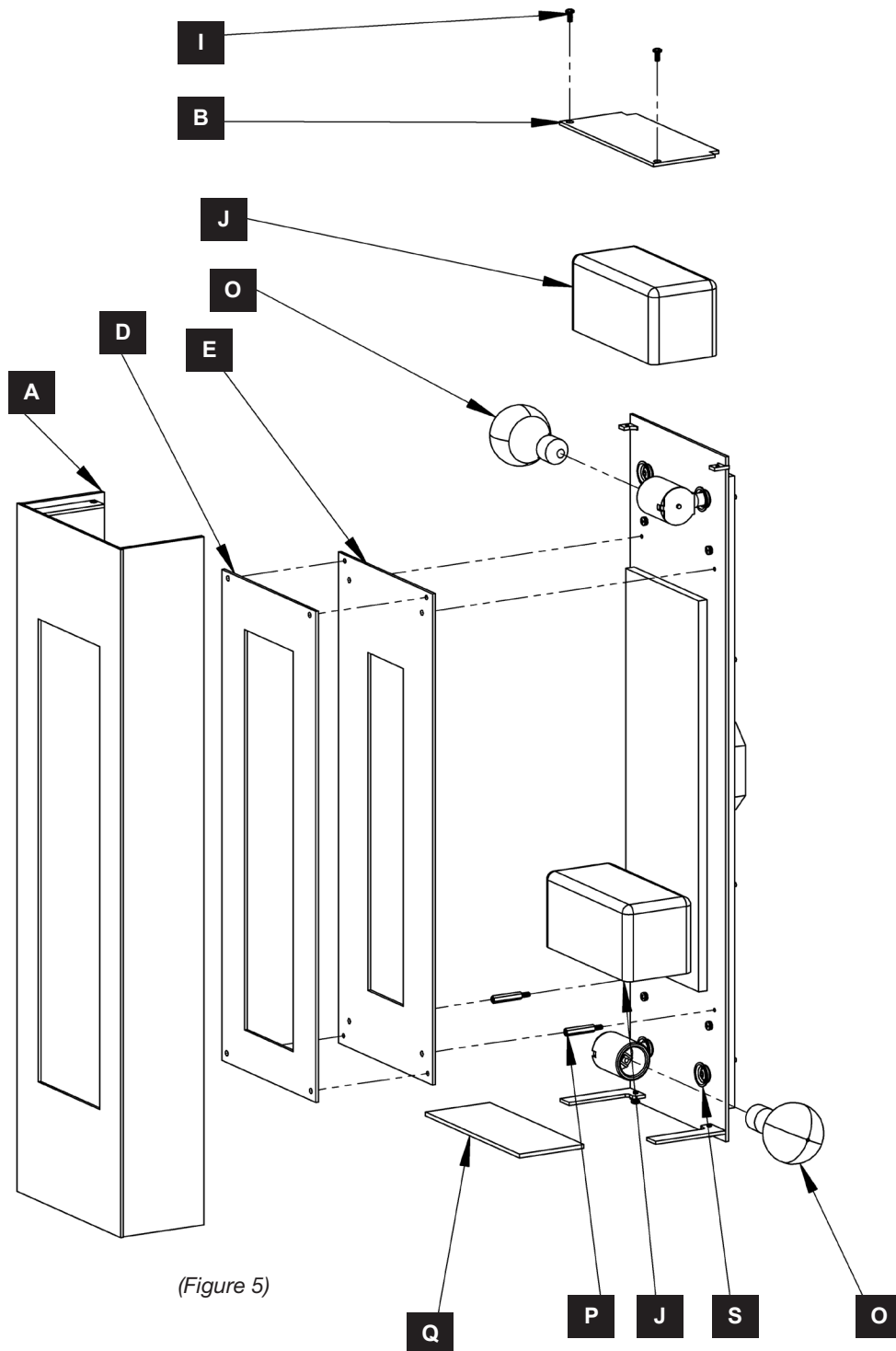
2. Refer to Figure 4. Align large ends of mounting plates with the two mounting buttons.
3. Push accent plate (R) against fixture so that button fits inside the mounting plate.
4. Firmly slide accent plate sideways until buttons snap into the small end of the mounting plate.
5. Install bulbs (O) into sockets (N).
6. Locate the two glass shields (J) and slide over the sockets (N) and retaining cups (S).
7. Slide glass diffuser (Q) onto arms on the bottom of the backplate (C).
8. Reinstall threaded standoffs (P) into backplate (C).
9. Reinstall accent plate 2 (E) onto backplate (C) using (4) #8 screws (I).
10. Reinstall accent plate 1 (D) onto accent plate B (E) using (4) #8 screws (I)
11. Slide front plate assembly (A) on to tabs on backplate (C). Secure with (4) #8 screws (I).
12. Place top plate (B) on top of fixture and secure with (2) #8 screws (I).
13. Restore electricity at main breaker.

ASSEMBLY & INSTALLATION INSTRUCTIONS



(Figure 4)

ASSEMBLY & INSTALLATION INSTRUCTIONS



If you need further assistance, or find that you are missing any parts, please contact the showroom from which you purchased this product. We hope you enjoy your fixture!

***ART+ALCHEMY will not be liable for injury or damage caused by improper installation, lamping or use of this fixture.**