

Glass Installation Instructions

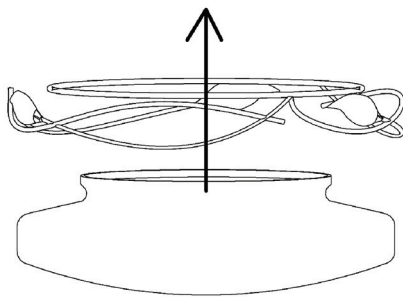
For Flush Mount Pendants

Please see reverse side for Fixture Installation Instructions.

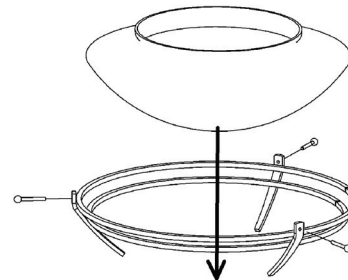
Caution: Do not exceed maximum wattage noted on fixture. Use only recommended bulbs with fixture.

To Install Glass

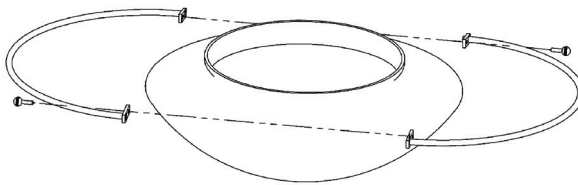
1. Attach decorative cage to glass, if applicable. Refer to the appropriate diagram:
 - Model 124402: Place the glass into the ring assembly and secure by threading the three screws over the edge of the glass.
 - Model 126706: Place the leaf assembly down over the neck of the glass.
 - Model 126709: Attach the two halves of the leaf assembly together around the neck of the glass and secure with two ball screws.
2. To attach the glass to the fixture, insert the neck of the glass into the fixture and secure by tightening the three or four retaining screws against the glass.



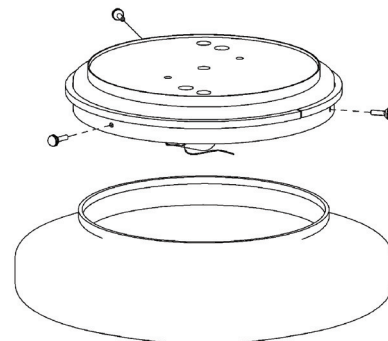
126706



124402



126709



Glass to Fixture
All Models

(continued)

Installation Instructions

For Semi-Flush Mount Fixtures

CAUTION: FAILURE TO INSTALL THIS FIXTURE PROPERLY MAY RESULT IN SERIOUS PERSONAL INJURY OR DEATH AND PROPERTY DAMAGE. We recommend installation by a licensed electrician.

This product must be installed in accordance with applicable installation code(s), by a person familiar with the construction and operation of the product and the hazards involved.*

Caution: Do not exceed maximum wattage noted on fixture. Use only recommended bulbs with fixture.

For fixtures requiring assembly, please refer to assembly instructions prior to installation.

Component Parts

A	Canopy	F	Round Cross Bar
B	Electric Box Machine Screws (not provided)	G	8-32 Threaded Studs
C	Black or Smooth Wires	H	8-32 Knurled Balls
D	Ground Wires	I	Wire Nuts or connectors (not provided)
E	White or Ribbed Wires	J	Green Ground Screw

To Install

Caution: Be sure power is off at the main breaker box prior to installation

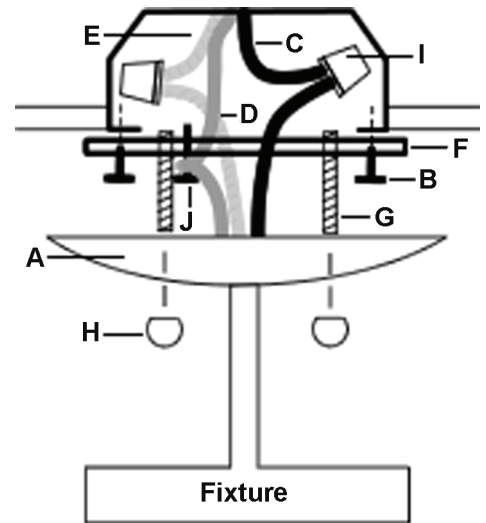
1. Carefully unpack the fixture from the carton.
2. Thread studs (G) through appropriate holes in cross bar (F) to match hole centers in canopy (A). Move ground screw (J) to another available threaded hole if necessary.
3. Using two machine screws (B, not provided) fasten cross bar to the electric box using outer oval holes to orient fixture to desired hanging position.

Note: A new electric box comes with screws. When replacing an existing fixture, retain the screws for use with the new fixture.

5. Using suitable wire connectors (I) (not provided), connect fixture wires to supply wires (white to white or ribbed (E) and black to black or smooth (C). Connect all ground wires (D) to green ground screw (J).

Caution: Make sure wire connectors are twisted on securely, and no bare wire is exposed.

6. Slide fixture canopy (A) over threaded studs and push firmly to ceiling, making sure that no wires are pinched between fixture canopy and ceiling. Fasten with knurled balls (H). Be sure studs (G) are fully seated in the knurled balls (H).
7. Install light bulb(s) (not provided).
8. Install glass (refer to glass installation instructions if appropriate).
9. Restore electricity at main breaker.



If you need further assistance, or find that you are missing any parts, please contact the dealer from which you purchased this product. We hope you enjoy your fixture!

* Hubbardton Forge will not be liable for injury or damage caused by improper installation, lamping or use of this fixture.