

A507



HUBBARDTON FORGE®

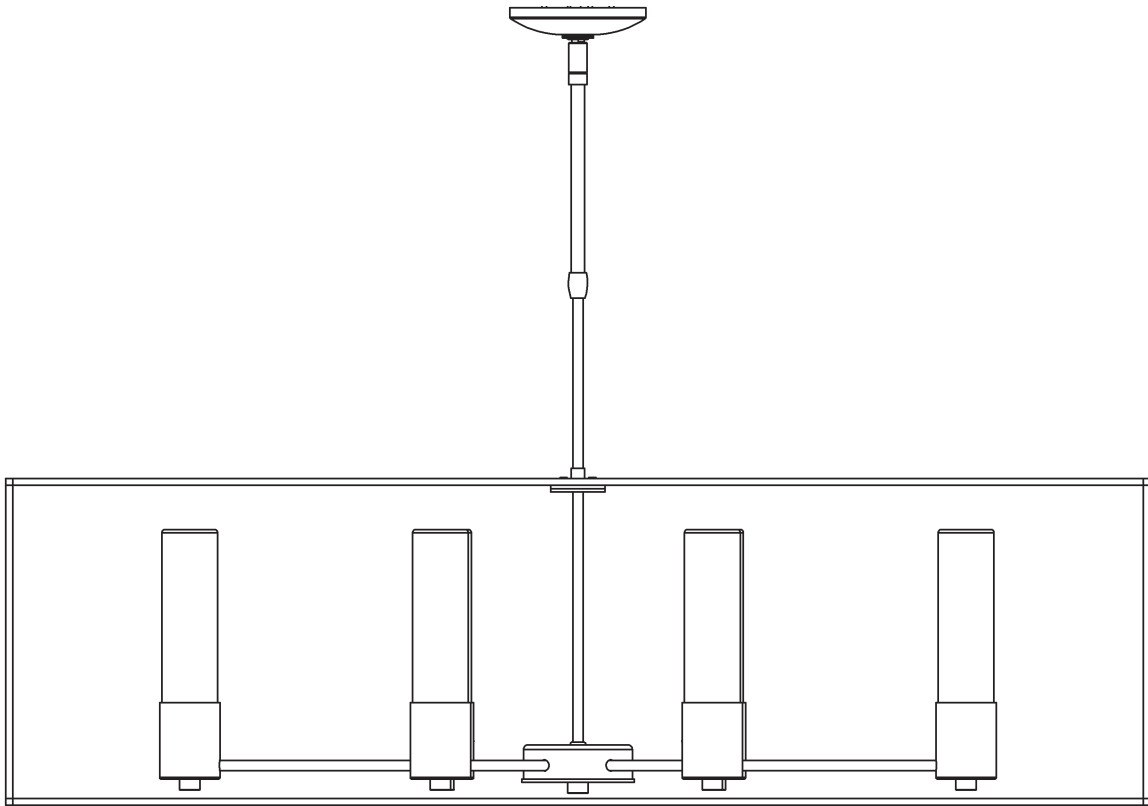
ASSEMBLY & INSTALLATION INSTRUCTIONS

ASSEMBLY & INSTALLATION INSTRUCTIONS

A507

Portico Pendant 138940

CONTENTS



HUBBARDTON FORGE.

MODERN AMERICAN BLACKSMITHS | FINE, HAND CRAFTED LIGHTING
CASTLETON, VERMONT USA | HUBBARDTONFORGE.COM

39004 Rev A

Component Parts

- A Fixture**
- B Crossbar**
- C Ground Screw**
- D Jam Nut**
- E Canopy**
- F Canopy Ring**
- G Canopy Pipe Assembly**
- H Fixture Coupling**
- I Nipple**
- J Fixture Pipe**
- K Clutch**
- L Set Screw**
- M Plastic Sleeve**
- N Socket (6)**
- O Bulb (not included)**
- P Glass (6)**
- Q O-Ring (12)**
- R Threaded Knobs (2)**
- S Outer Cage Assembly**
- T Threaded Stud (2)**



ASSEMBLY & INSTALLATION INSTRUCTIONS

A507

Portico Pendant 138940

CAUTION: FAILURE TO INSTALL THIS FIXTURE PROPERLY MAY RESULT IN SERIOUS PERSONAL INJURY OR DEATH AND PROPERTY DAMAGE. We recommend installation by a licensed electrician. This product must be installed in accordance with applicable installation code(s), by a person familiar with the construction and operation of the product and the hazards involved.*

Caution: Do not exceed maximum wattage noted on fixture. Use only recommended bulbs with fixture.

Please Note: After installation extra hardware and accessories are possible due to our kits are used on multiple products and options.

To Install Fixture (Figures 1 & 2)

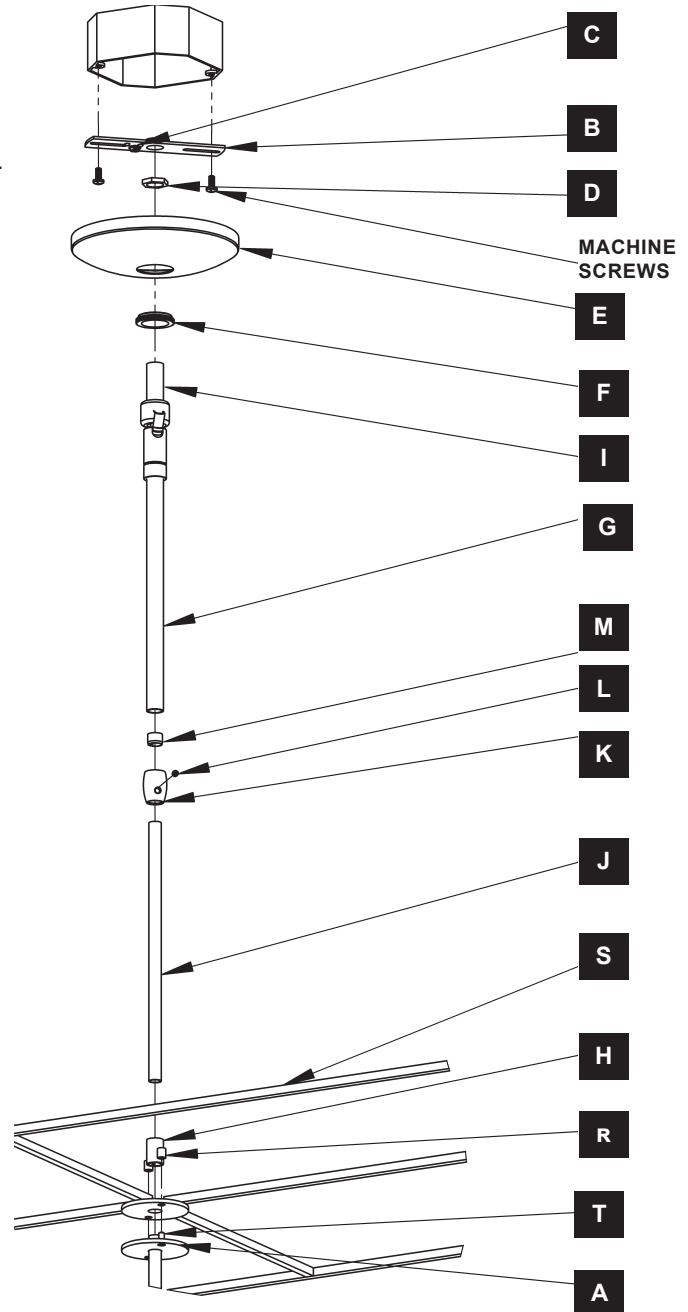
CAUTION: BE SURE POWER IS OFF AT THE MAIN BREAKER BOX PRIOR TO INSTALLATION.

1. Carefully unpack fixture from the carton.
2. Thread the jam nut (D) and crossbar (B) onto threaded nipple (I). Leave parts loose.
3. Using two machine screws (not provided), temporarily fasten the cross bar (B) to the electric box.

Note: A new electric box comes with screws. When replacing a fixture, retain the existing screws for use with the new fixture.

4. Adjust the length of the threaded nipple (I) in crossbar (B) so that the canopy ring (F) will hold canopy (E) against the ceiling with no threads showing for best appearance. When the correct adjustment is established, tighten jam nut (D) against the cross bar (B) to hold adjustment.
5. Remove the crossbar (B) from the electrical box and proceed with assembly instructions.
6. Remove the two threaded knobs (R) from threaded studs (T) installed on fixture (A). Save to use later.
7. Thread wires from fixture (A) through the center of outer cage assembly (S) and attach the outer cage assembly (S) to the fixture (A) using the two threaded knobs (R).
8. Thread wires from fixture (A) through coupling (H). Apply a drop of the supplied thread locking compound to the internal threads of the fixture coupling (H) and screw coupling onto fixture pipe, being careful not to twist the wires.
9. Locate fixture pipe (J) and slip the end of the pipe with the shortest threads over wires.
10. Apply a drop of the supplied thread locking compound to the internal threads of the fixture coupling (H) and screw fixture pipe (J) into fixture coupling (H), being careful not to twist the wires.

Note: Application of the thread locking compound is necessary to prevent the stem from loosening during regular maintenance and cleaning of the fixture. Be certain to apply the compound.



(Figure 1)

ASSEMBLY & INSTALLATION INSTRUCTIONS

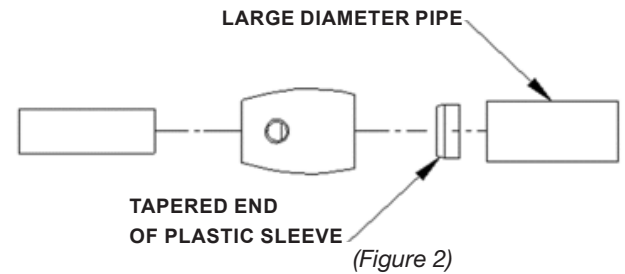
A507

Portico Pendant 138940

11. Carefully slide canopy ring (F) and canopy (E) over fixture pipe (J) until it rests on the fixture (A). Make sure the smaller diameter side of canopy ring (F) is oriented up.
12. Slide the wires from the fixture pipe (J) through the canopy pipe assembly (G).
13. Unscrew the clutch (K) from the canopy pipe assembly (G); slide it across the wires and onto the fixture pipe (J). Follow this with the plastic sleeve (M), oriented so the tapered end nests in the clutch (K). (Figure 2)
14. Slide the canopy pipe assembly (G) over the fixture pipe (J) as far as necessary to give you the total length of the fixture which you desire. It may be necessary to loosen the set screw (L) in the clutch (K). Be careful not to scratch the pipe surface and to pull excess wire up through the canopy pipe assembly (G). There must be a minimum 1-1/2" of inner pipe inside the outer pipe.
15. Tighten the set screw (L) in clutch (K) firmly with hex wrench provided.
16. Using two machine screws (not provided), fasten the cross bar (B) to the electric box.
17. Using suitable wire connectors (not provided) connect fixture wires to supply (white to white and black to black). Attach a pig-tail lead to the crossbar ground screw (C). Connect all ground wires (bare copper or green to bare copper or green). Push wires back into electrical box.

CAUTION: MAKE SURE WIRE CONNECTORS ARE TWISTED ON SECURELY, AND NO BARE WIRE IS EXPOSED.

18. Slide canopy (E) against ceiling and secure with canopy ring(F).
19. See 'To Install Glass' to complete installation.



ASSEMBLY & INSTALLATION INSTRUCTIONS

A507

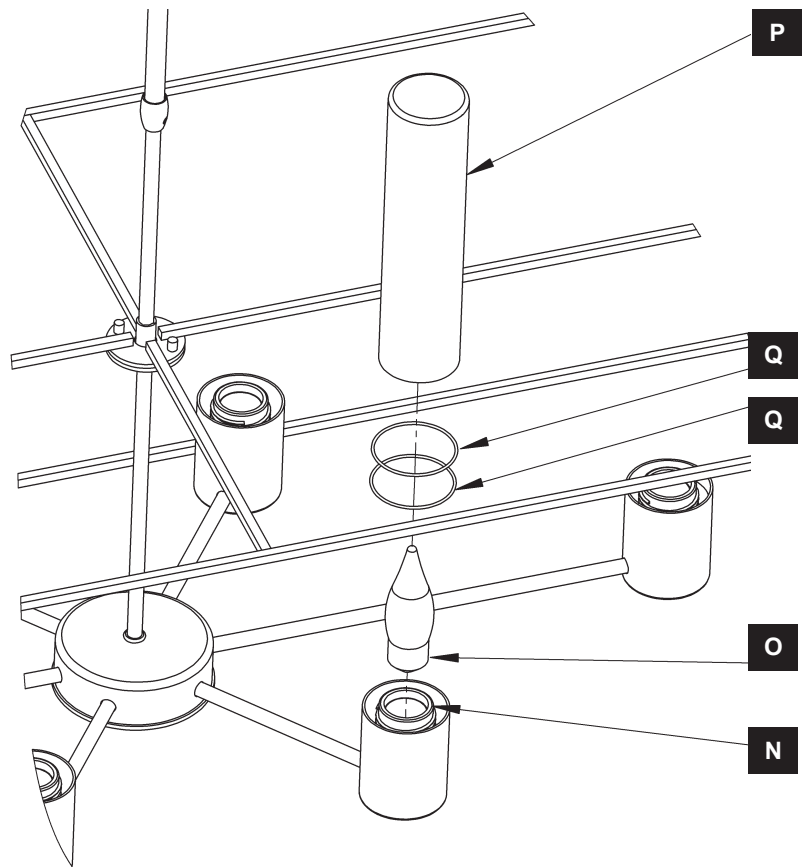
Portico Pendant 138940

To Install Glass (Figure 3)

1. Install bulb (O) into socket (N). (*Bulbs not provided*).
2. Stretch and roll two o-rings (Q) onto glass (P).

Note: Leave o-rings near bottom of glass so that o-rings aren't visible after installation

3. Slip glass over bulb (O) and socket (N) until glass is fully seated.
4. Repeat for remaining sockets.



(Figure 3)

If you need further assistance, or find that you are missing any parts, please contact the dealer from which you purchased this product. We hope you enjoy your fixture!

** Hubbardton Forge will not be liable for injury or damage caused by improper installation, lamping or use of this fixture.*



HUBBARDTON FORGE.

MODERN AMERICAN BLACKSMITHS | FINE, HAND CRAFTED LIGHTING
CASTLETON, VERMONT USA | HUBBARDTONFORGE.COM

39004 Rev A