

# Installation Instructions

**A370**

Quill Pendant 135001

Page 1 of 3

**CAUTION: FAILURE TO INSTALL THIS FIXTURE PROPERLY MAY RESULT IN SERIOUS PERSONAL INJURY OR DEATH AND PROPERTY DAMAGE. We recommend installation by a licensed electrician.**

This product must be installed in accordance with applicable installation code(s), by a person familiar with the construction and operation of the product and the hazards involved.\*

**Caution:** Do not exceed maximum wattage noted on fixture. Use only recommended bulbs with fixture.

## **To Install the Canopy & Vertical Installation** (Figure 1&2)

### Component Parts

A	Crossbar	E	#8 Screws	K	Canopy Plate
B	Ground Screw	F	Fixture	L	Screws w/Lock Washers
C	Cupped Washer	G	Canopy Gripper		
D	Canopy	H	Supply/Support Cable		

### **Caution: Be sure power is off at the main breaker box prior to installation**

1. Carefully unpack the fixture from the carton.
2. Crossbar (A) is shipped installed. Remove screws (E) from canopy (D) and save for later use. Remove crossbar (A).
3. Using two machine screws (not provided), fasten the crossbar (A) to the electric box. (Figure 1)

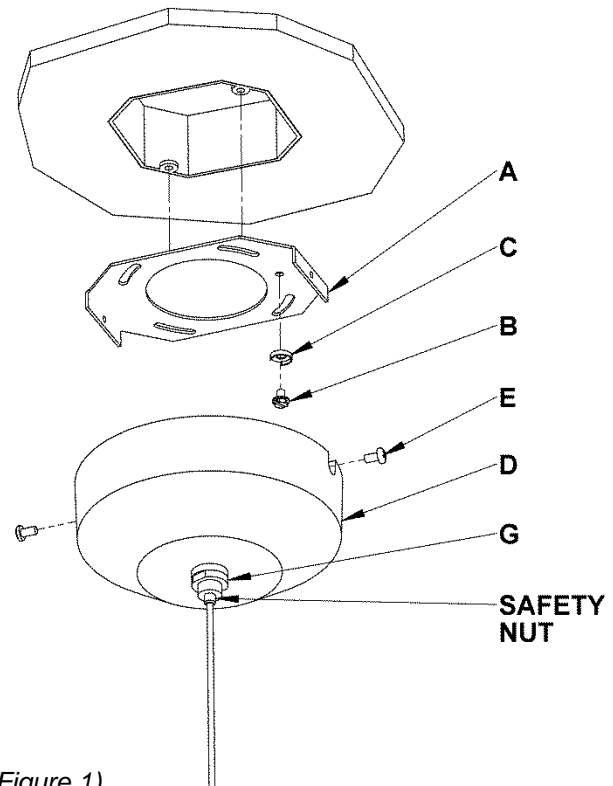
**Note:** A new electric box comes with screws. When replacing a fixture, retain the existing screws for use with the new fixture.

4. Height of fixture can be set before attaching the fixture to the ceiling. Remove screws w/lock washers (L) and canopy plate (K) from canopy (D). (Figure 2)

**Note:** Fixture is shipped at max height.

5. Loosen safety nut on canopy gripper (G) by twisting counter clockwise. Push supply/support cable (H) into canopy gripper (G) until desired height is reached.
6. Retighten safety nut on canopy gripper (G).
7. Coil supply/support cable (H) in canopy (D) and place canopy plate (K) in canopy (D). Install screws w/lock washers (L) to secure plate.

**Caution:** Be sure not to pinch the supply/support cable in between the canopy (D) and the canopy plate (K).



(continued)

# Installation Instructions

**A370**

Quill Pendant 135001

Page 2 of 3

- Using suitable wire connectors (not provided) connect fixture wires to supply wires (white to white, black to black). Run a pigtail lead from crossbar ground screw (B) to the junction box and connect all ground wires (bare copper or green to bare copper or green). (Figure 1)

**Caution:** Make sure wire connectors are twisted on securely, and no bare wire is exposed.

- Raise canopy (D) close to ceiling. Align holes in canopy (D) with holes in crossbar (A) and secure with (2) #8 screws (E).
- If fixture needs to be lowered to achieve desired height, loosen safety nut, push up on canopy gripper (G) and gently pull down on supply/support cable (H). Retighten safety nut.

## **To Install Fixture Horizontally or Angled** (Figure 3&4)

### Component Parts

- F Fixture
- M Support Cable
- N Anchor
- O #6 Screw
- P Cable Gripper

**Note:** This fixture maybe oriented vertically or horizontally or any angle in between.

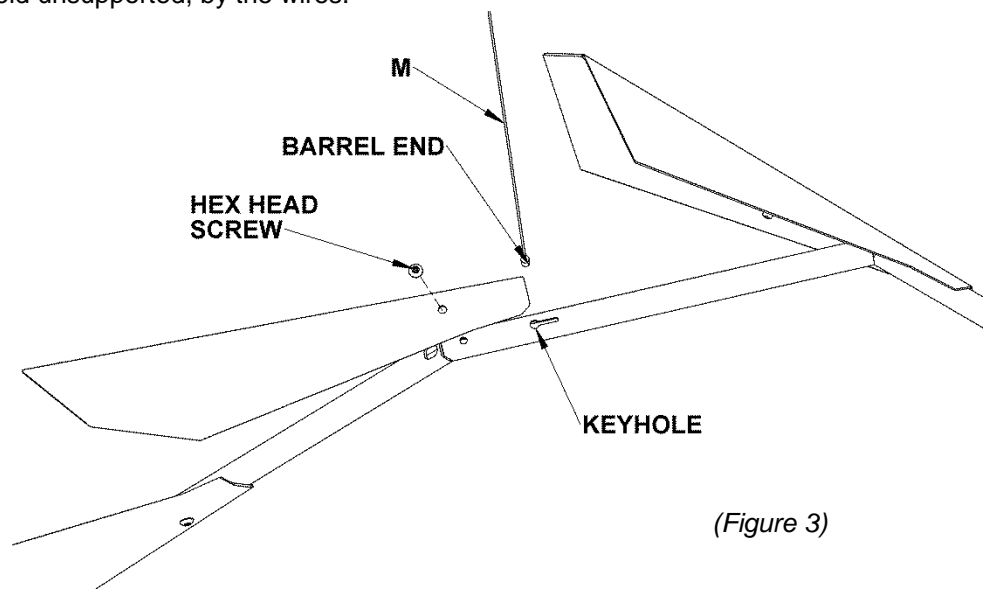
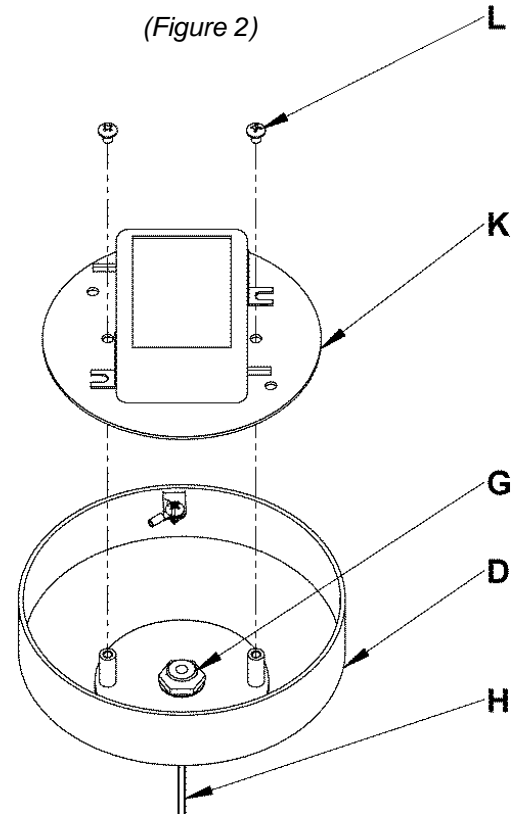
- Locate fourth decorative shield from canopy end of fixture. Remove hex head screw and gently move the decorative shield to gain access to keyhole. Insert barrel end of cable (M) into large end of keyhole. Reattach decorative shield with hex head screw. (Figure 3).

**Caution:** Do not leave decorative shield unsupported, by the wires.

- Orient fixture to desired location and determine appropriate location for ceiling cable gripper (P). With a pencil, mark this location on the ceiling.
- Drill 1/4" hole in the locations marked on the ceiling. Place the tapered end of the anchor (N) into the hole and gently tap flush to the wall using a light weight hammer
- Unscrew gripper base from cable gripper (P). Slip #4 screw (O) into gripper base and attach to ceiling by screwing into anchor (N).

- Screw cable gripper (P) back on to gripper base. Insert support cable (M) into cable gripper. With the swivel portion of the cable gripper oriented horizontally adjust support cable to correct height. Using heavy duty cable cutters, cut excess support cable (M) short enough to allow swivel to rotate.

(Figure 2)



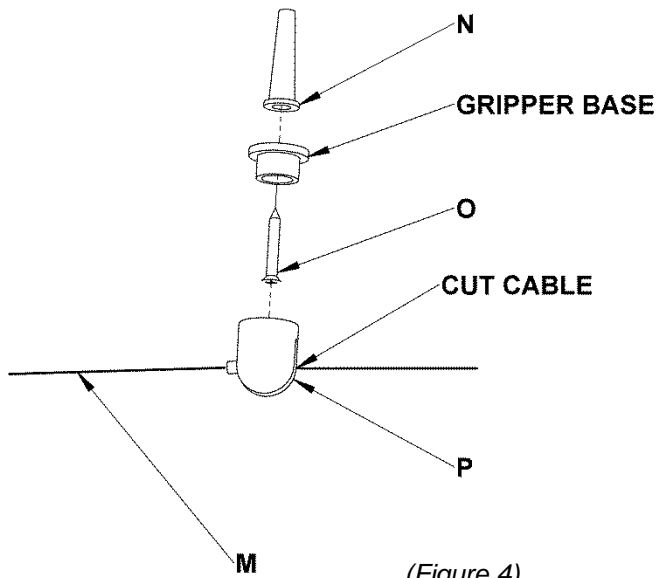
(Figure 3)

# Installation Instructions

Quill Pendant 135001

**A370**

Page 3 of 3



*If you need further assistance, or find that you are missing any parts, please contact the dealer from which you purchased this product. We hope you enjoy your fixture!*

\* Hubbardton Forge will not be liable for injury or damage caused by improper installation, lamping or use of this fixture.