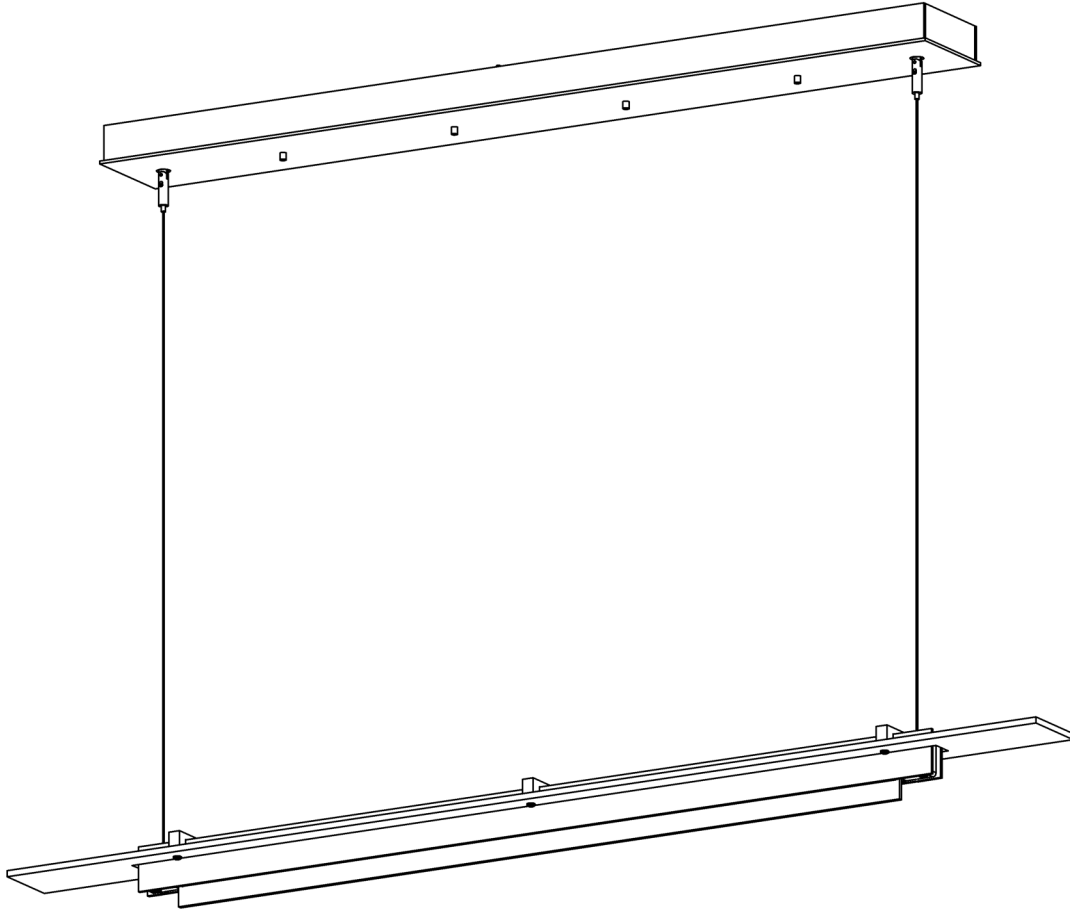


ASSEMBLY & INSTALLATION INSTRUCTIONS

A583

Plank Pendant 139920



HUBBARDTON FORGE.

MODERN AMERICAN BLACKSMITHS | FINE, HAND CRAFTED LIGHTING
CASTLETON, VERMONT USA | HUBBARDTONFORGE.COM

42399 Rev A

1 OF 5

Component Parts

- A Canopy**
- B Mounting Bracket**
- C Anchor (4)**
- D #10 Wood Screw (4)**
- E Safety Cable**
- F Safety Cable screw**
- G Ground Screw**
- H Cupped Washer**
- I Driver**
- J Threaded Stud (4)**
- K Standoff (4)**
- L Barrel Knob (4)**
- M Gripper (2)**
- N Fixture**
- O Supply/Support Cable (2)**
- P Decorative Element**



ASSEMBLY & INSTALLATION INSTRUCTIONS

A583

Plank Pendant 139920

CAUTION: FAILURE TO INSTALL THIS FIXTURE PROPERLY MAY RESULT IN SERIOUS PERSONAL INJURY OR DEATH AND PROPERTY DAMAGE. We recommend installation by a licensed electrician. This product must be installed in accordance with applicable installation code(s), by a person familiar with the construction and operation of the product and the hazards involved.*

Caution: Do not exceed maximum wattage noted on fixture. Use only recommended bulbs with fixture.

Please Note: After installation extra hardware and accessories are possible; our kits are used on multiple products.

To Install Canopy (Figure 1)

CAUTION: BE SURE POWER IS OFF AT THE MAIN BREAKER BOX PRIOR TO INSTALLATION.

1. Carefully unpack the fixture from the carton.
2. Center the mounting bracket (B) over the electrical box. Be sure to line up oval slots in bracket with mounting holes in electrical box. With a pencil, mark the location of all mounting holes in the mounting bracket (B) on the ceiling.
3. Put the bracket down and drill 1/4" holes in the locations marked on the ceiling. Place the tapered end of the anchors (C) into the holes and gently tap them flush to the ceiling using a light weight hammer.
4. Thread the wires from the electrical box through the center hole in the mounting bracket (B) while moving the bracket into position.
5. Using two machine screws (not provided), fasten the mounting bracket (B) to the electric box using oval slots in center.
Note: Most electric boxes comes with screws. When replacing a fixture, retain the existing screws for use with the new fixture.
6. Using the #10 screws (D), screw the bracket (B) securely to the ceiling. Be careful not to over-tighten or strip the anchors (C).
7. Holding canopy (A) close to ceiling, use safety cable screw (F) from mounting kit to attach the safety cable (E) to mounting bracket (B). This is used to temporarily suspend canopy (A) while making wiring connections.
8. Using suitable wire connectors (not provided) connect driver (I) wires to supply wires (white to white and black to black). Attach a pigtail lead to mounting bracket (B) using the ground screw (G) and cupped washer (H) found in mounting kit. Connect all ground wires (bare copper or green to bare copper or green) together.

Caution: Be sure wire connectors are twisted on securely, and no bare wire is exposed.

9. Thread studs (J) into standoffs (K) on mounting bracket (B).
10. Slip canopy (A) over grippers (M) and threaded studs (J). Press canopy (A) to ceiling.

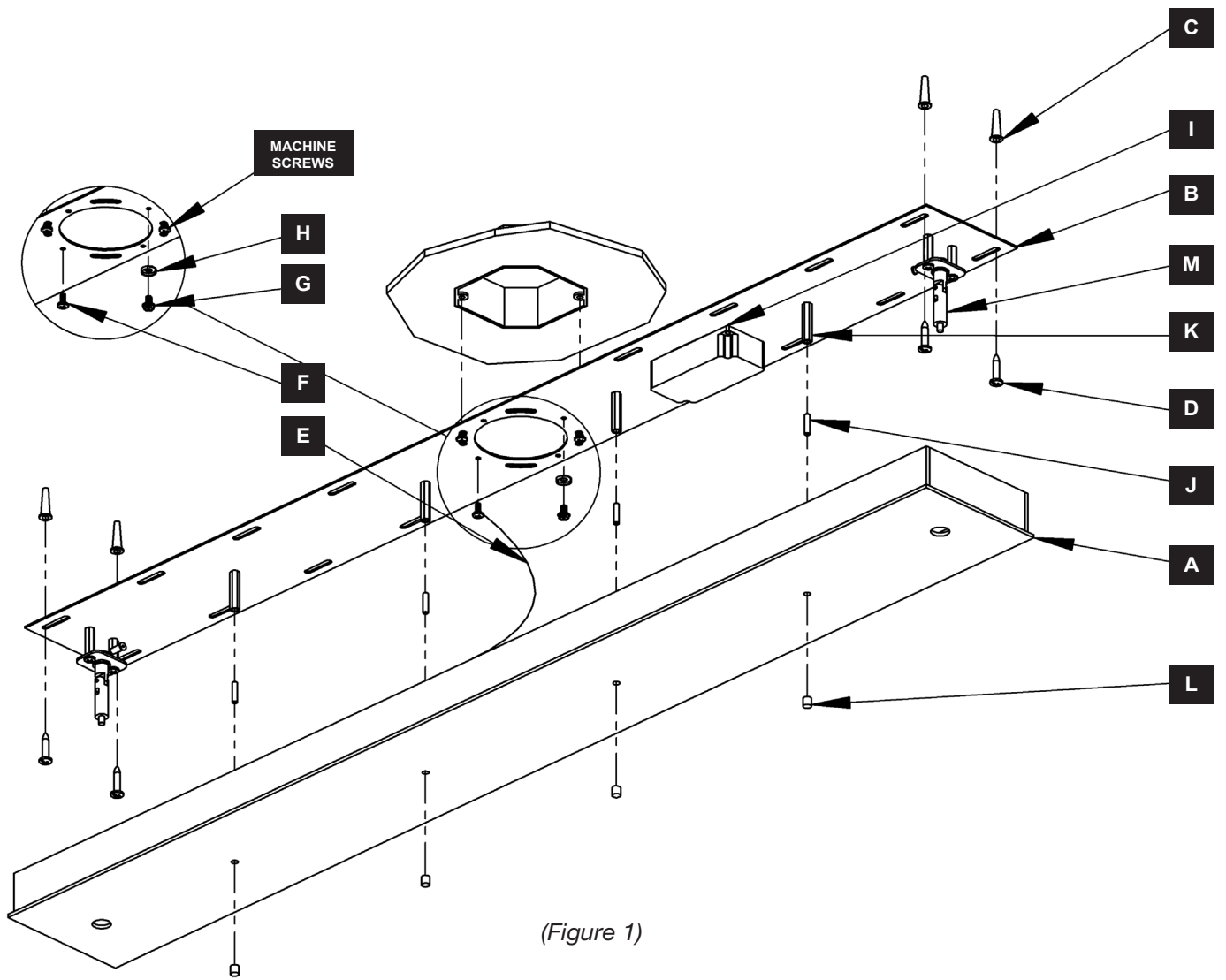
Caution: Be sure no wires are pinched between the canopy (A) and the ceiling.

11. Secure canopy (A) by threading (4) barrel knobs (L) found in mounting kit bag onto threaded studs (J). Be sure threaded studs are fully seated in barrel knobs.

ASSEMBLY & INSTALLATION INSTRUCTIONS

A583

Plank Pendant 139920



Plank Pendant 139920

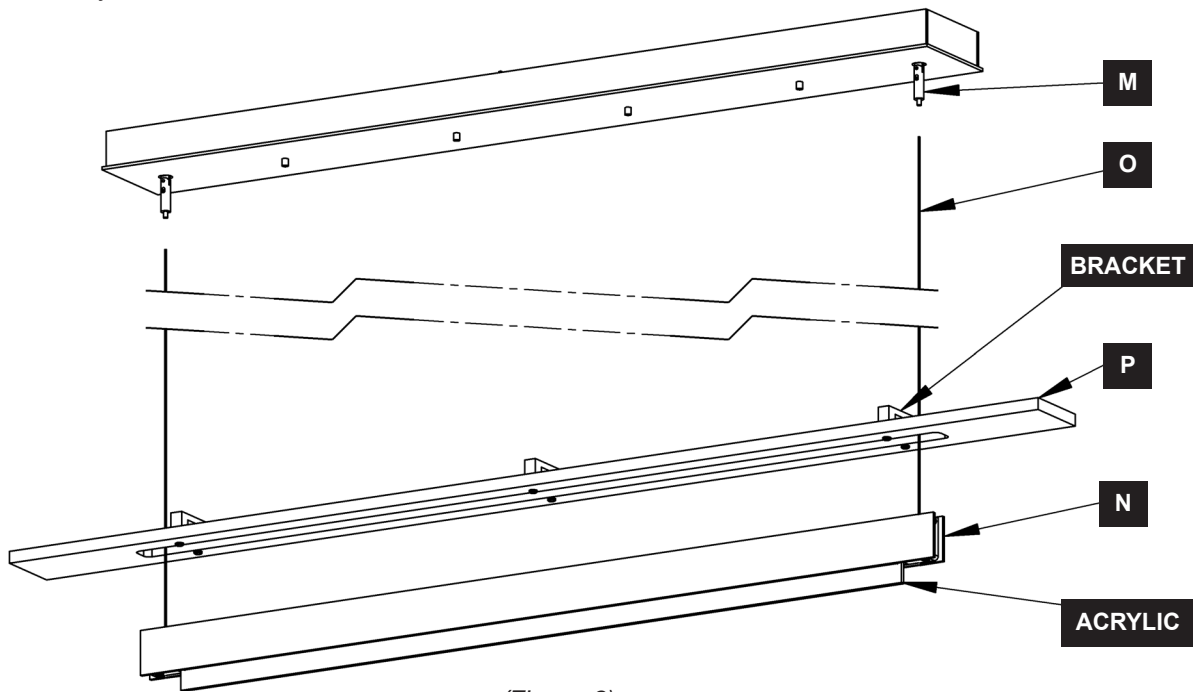
To Install Fixture (Figure 2)

1. Uncoil supply/support cables (O) coming from fixture (H). Remove velcro on fixture (N).
2. Locate decorative element (P). Slip supply/support cables (O) through decorative element (P) as seen in Figure 2. Allow decorative element (P) to rest on top of fixture (N).
3. Align the (+) label on the fixture (N) with the (+) label on the gripper (M).
4. Push the supply/support cable (O) through the gripper until the cable sticks through the slot in the side of the gripper (M).
5. Repeat for remaining cable (O) and adjust both cables until desired height of the fixture is reached.
Note: *If the fixture needs to be lowered, push up on the plunger of gripper to release cable.*
6. Once desired height of fixture is reached, cut the excess supply/support cables (O) as close to the slot in grippers (M) as possible.

CAUTION: ONCE EXCESS CABLE IS CUT, FIXTURE CANNOT BE LOWERED.

CAUTION: FIXTURE WILL NOT LIGHT IF ANY PART OF THE SUPPORT CABLE IS TOUCHING THE FIXTURE.

7. Restore electricity at main breaker.



(Figure 2)

If you need further assistance, or find that you are missing any parts, please contact the dealer from which you purchased this product. We hope you enjoy your fixture!

Hubbardton Forge will not be liable for injury or damage caused by improper installation, lamping or use of this fixture.