

Slight variations in the oval glass shape are normal

This is a kiln-formed glass that goes through a dynamic stretching and pulling process that simpler shapes do not. To make the oval, the artisan heats the flat glass to over 1,200 degrees and then uses gravity to form it into a deep curve. Each piece of glass is unique, and slight variations in shape are a normal result of this process.

If you need assistance, or find that you are missing any parts, please contact the dealer from which you purchased this product. We hope you enjoy your fixture!

Installation Instructions

B31

For Heavy Bracket Mounted Bath Style Fixtures

CAUTION: FAILURE TO INSTALL THIS FIXTURE PROPERLY MAY RESULT IN SERIOUS PERSONAL INJURY OR DEATH AND PROPERTY DAMAGE. We recommend installation by a licensed electrician.

This product must be installed in accordance with applicable installation code(s), by a person familiar with the construction and operation of the product and the hazards involved.*

Caution: Do not exceed maximum wattage noted on fixture. Use only recommended bulbs with fixture.

For fixtures requiring assembly, please refer to assembly instructions before installation.

Please Note: This fixture is designed to be mounted on a standard wall surface and may not be suitable for all applications. If installing in a non-wood frame application, we recommend consulting a qualified builder or electrician.

Component Parts

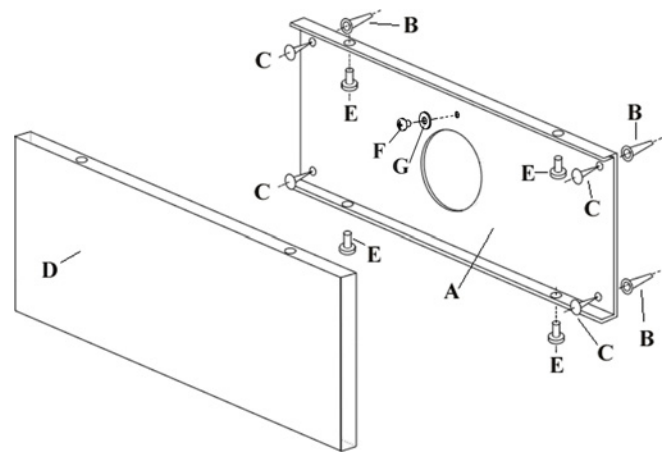
| | | |
|-----------------------------|-----------------------------|------------------------|
| A Wall Mount Bracket | D Fixture | G Cupped Washer |
| B Anchors | E #8 Black Screws | |
| C #10 Screws | F Green Ground Screw | |

To Install

Caution: Be sure power is off at the main breaker box prior to installation.

Caution: This fixture is heavy and must be securely fastened to at least one framing member.

1. Center the wall mount bracket (A) over the electrical box being sure to hold it plum and level. With a pencil, mark the location of all mounting holes in the wall mount bracket on the wall behind. Put the wall mount bracket down and drill 1/4" holes in the locations marked on the wall. It may be necessary to drill new holes in the mounting bracket to allow for attachment to a framing stud. Place the tapered end of the anchors (B) into the holes and gently tap them flush to the wall using a light weight hammer.
2. Thread the wires in the electrical box through the center hole in the wall mount bracket while moving the bracket into position. Using the 1" #10 screws (C), screw the bracket securely to the wall. Be careful not to over-tighten or strip the anchors. Make certain that bracket is attached directly to at least one framing member.
3. Thread the black # 8 screws (E) up through the holes in the top of the wall mount bracket. Leave the bottom screws out for now.
4. Hold the fixture assembly (D) close to the wall mount bracket and using suitable wire connectors (not provided), connect fixture wires to supply wires (white to white, black to black, and bare copper or green to bare copper or green). Ground the mounting bracket using the green ground screw (F) and cupped washer (G) to secure a pigtail lead to the bracket.



Caution: Make sure wire connectors are twisted on securely, and no bare wires are exposed.

5. Carefully tuck all wires behind the fixture assembly and inside the wall mount bracket and place the fixture over the bracket so that the screws in the top of the bracket go through the holes in the top of the fixture. Secure the fixture by threading the remaining black #8 screws up through the holes in the bottom of the fixture and into the mounting bracket.

If you need further assistance, or find that you are missing any parts, please contact the dealer from which you purchased this product. We hope you enjoy your fixture!

* Hubbardton Forge will not be liable for injury or damage caused by improper installation, lamping or use of this fixture.

Glass Installation Instructions

B33

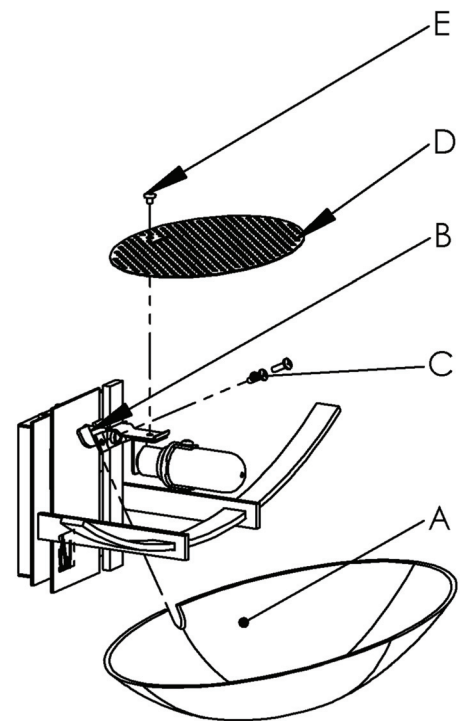
Please refer to fixture assembly and installation instructions prior to glass installation.

Component Parts

- A Glass
- B Glass Stop
- C Nylon Screw
- D Diffuser
- E Screw

To Install Glass

1. Slide Glass (A) into fixture so that the notch in the glass fit's around the socket stem and the edge of the glass is positioned between the glass stop (B) and the screw bracket.
2. Secure glass by tightening the two Nylon Screws (C) against glass.
3. Install diffuser (D) onto bracket, securing with Screw (E).



If you need further assistance, or find that you are missing any parts, please contact the dealer from which you purchased this product. We hope you enjoy your fixture!