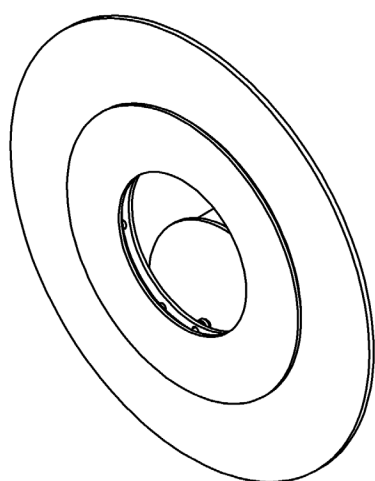


Assembly & Installation Instructions

B374

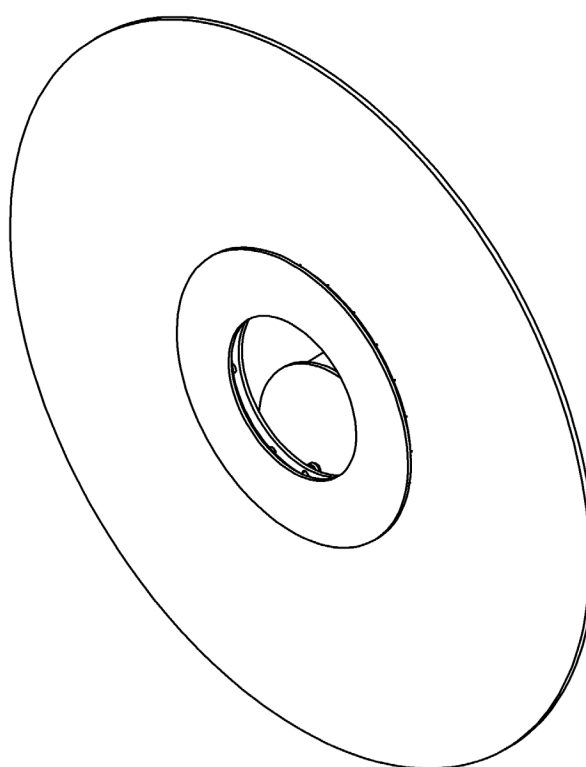
Orbit Sconce 209335

Page 1 of 4



13" GLASS

SHOWN IN INSTRUCTIONS



21" GLASS

Assembly & Installation Instructions

B374

Orbit Sconce 209335

Page 2 of 4

Component Parts

A	Fixture
B	Crossbar Assembly
C	Ground Screw
D	#8 Screws (2)
E	Cover Plate
F	Knurled Ball
G	Countersunk Plate
H	Countersunk Screws (4)
I	Glass
J	LED
K	Foam Tape

Assembly & Installation Instructions

B374

Orbit Sconce 209335

Page 3 of 4

CAUTION: FAILURE TO INSTALL THIS FIXTURE PROPERLY MAY RESULT IN SERIOUS PERSONAL INJURY OR DEATH AND PROPERTY DAMAGE. We recommend installation by a licensed electrician. This product must be installed in accordance with applicable installation code(s), by a person familiar with the construction and operation of the product and the hazards involved.*

Caution: Do not exceed maximum wattage noted on fixture. Use only recommended bulbs with fixture.

Please Note: After installation extra hardware and accessories are possible; our kits are used on multiple products and options.

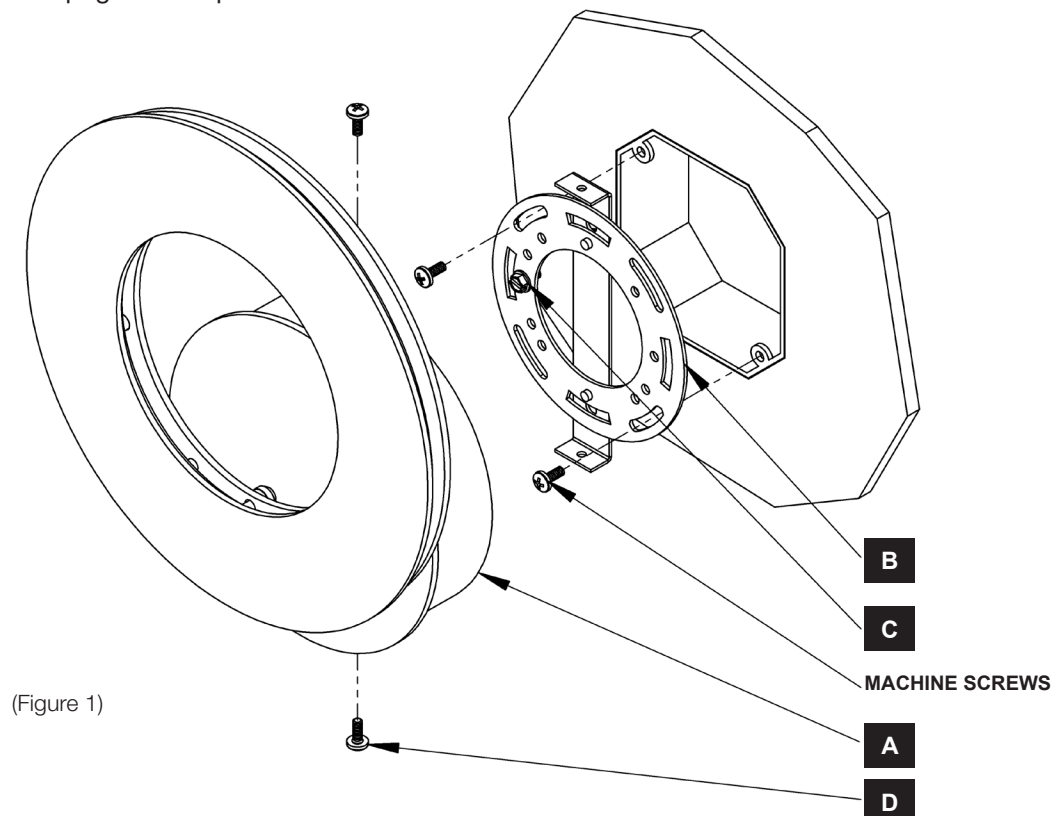
To Install Fixture (Figure 1)

CAUTION: BE SURE POWER IS OFF AT THE MAIN BREAKER BOX PRIOR TO INSTALLATION.

1. Carefully unpack the fixture from the carton.
2. Using two machine screws (not provided) fasten the crossbar assembly (B) to the electric box with bent tabs facing out.
Note: A new electric box comes with screws. When replacing a fixture, retain the existing screws for use with the new fixture.
3. Hold fixture (A) close to wall. Using suitable wire connectors (not provided) connect fixture wires to supply wires (white to white and black to black). Attach a pigtail lead to the crossbar ground screw (C). Connect all ground wires (bare copper or green to bare copper or green). If ground screw (C) interferes with fixture (A), move to a different hole in the crossbar assembly (B).

CAUTION: MAKE SURE WIRE CONNECTORS ARE TWISTED ON SECURELY, AND NO BARE WIRES ARE EXPOSED.

4. Slide fixture (A) over crossbar assembly (B) and push firmly to wall, making sure that no wires are pinched between fixture back and wall. Fasten with #8 screws (D) in top and bottom.
5. See instructions on next page to complete installation.



Assembly & Installation Instructions

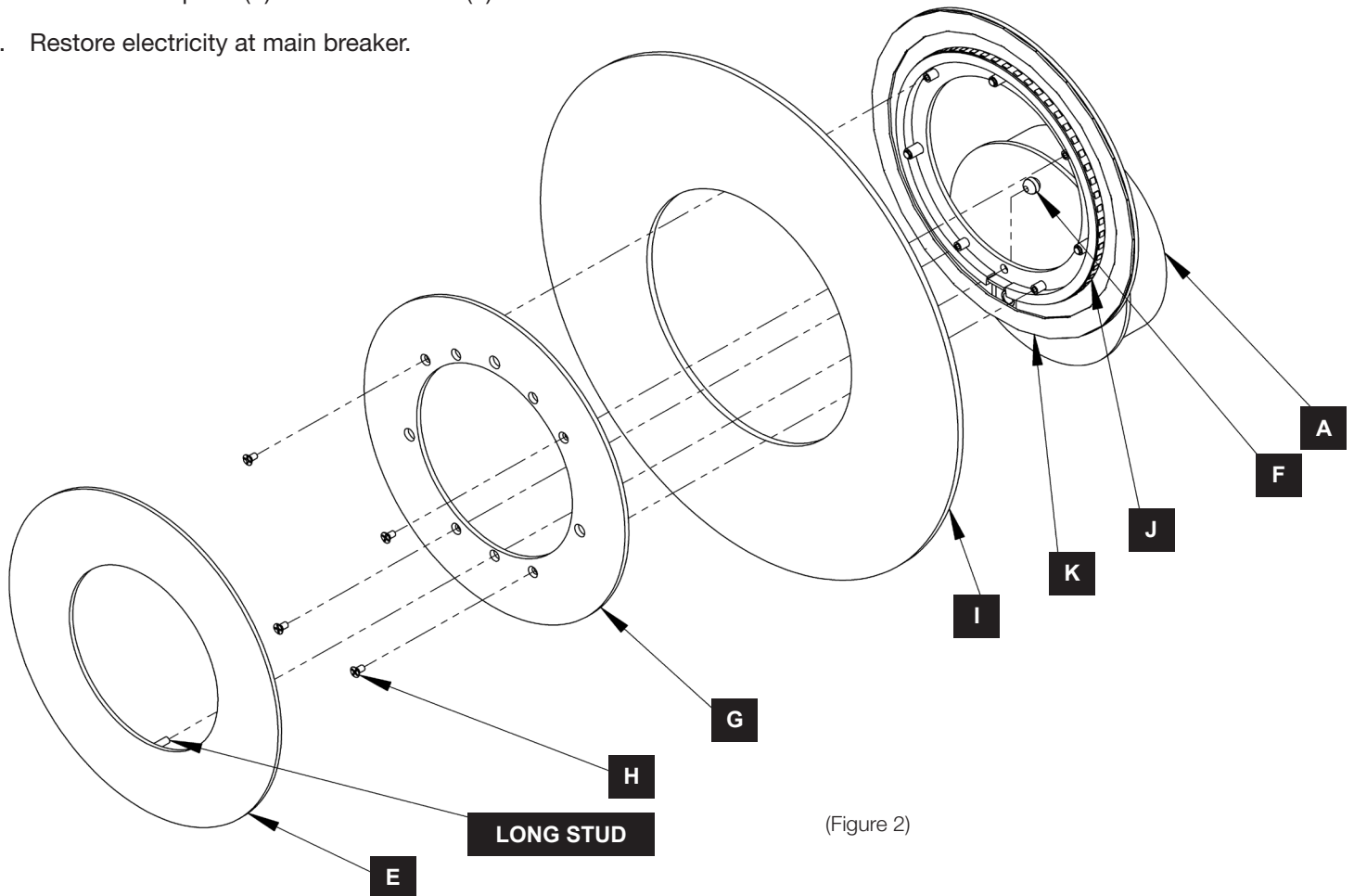
B374

Orbit Sconce 209335

Page 4 of 4

To Finish Installation (Figure 2)

1. Remove knurled ball (F) and cover plate (E). Retain for later use.
Note: Magnets are also used to hold cover plate (E) so a small amount of force will be needed to remove cover plate (E).
2. Remove countersunk screws (H) along with countersunk plate (G) and retain for later use.
Note: Taking note of plate (G) alignment will aid in later installation.
3. Place glass (I) over LED (J) and press up against foam tape (K) on fixture (A).
Note: Design preference is with textured side of glass (I) towards the wall.
4. Replace countersunk plate (G) onto fixture (A) and install countersunk screws (H) to secure glass (I).
5. Align long stud in cover plate (E) with lower hole in fixture (A). Press cover plate (E) tight to fixture (A) until magnets contact plate (E).
6. Secure cover plate (E) with knurled ball (F).
7. Restore electricity at main breaker.



If you need further assistance, or find that you are missing any parts, please contact the dealer from which you purchased this product. We hope you enjoy your fixture!

*Hubbardton Forge will not be liable for injury or damage caused by improper installation, lamping or use of this fixture.