

Assembly & Installation Instructions

B185

Ondrian Vertical Three-Light Sconces 206309L, 206309R, 206315L & 206315R

Page 1 of 2

CAUTION: FAILURE TO INSTALL THIS FIXTURE PROPERLY MAY RESULT IN SERIOUS PERSONAL INJURY OR DEATH AND PROPERTY DAMAGE. We recommend installation by a licensed electrician.

This product must be installed in accordance with applicable installation code(s), by a person familiar with the construction and operation of the product and the hazards involved.*

Caution: Do not exceed maximum wattage noted on fixture. Use only recommended bulbs with fixture.

Please Note: This fixture is designed to be mounted on a standard wall surface and may not be suitable for all applications. If installing in a non-wood frame application, we recommend consulting a qualified builder or electrician.

Please Note: After installation, extra hardware and accessories may be left due to kits being used on multiple products.

Component Parts

A	Wall Mounting Bracket	D	Electric Box Cover (for 4" Outlet box)	F	Fixture Assembly
B	Anchors (3)	E	#8 Black Screws (3)		
C	#10 Screws (3)				

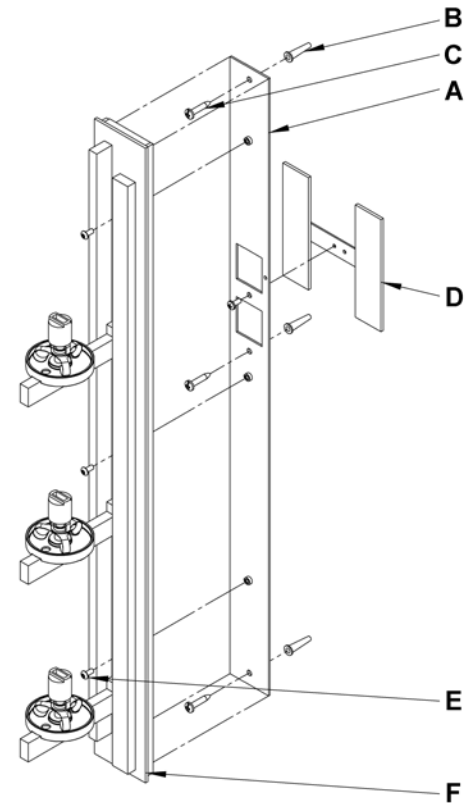
To Mount Fixture to Wall (Figure 1)

Caution: Be sure power is off at the main breaker box prior to installation.

1. Carefully unpack the fixture from the carton.
2. Place the wall mounting bracket (A) over the electrical box using one of the wiring holes provided being sure to hold it plum and level (square openings should be towards top). **If using a single gang outlet box electric box, cover (D) is not needed.** Remove #8 black screw (E) from electric box cover (D) and save for later use. Determine which electric box cover (D) location works the best and attach to wall mounting bracket (A). With a pencil, mark the location of all mounting holes in the wall mount bracket on the wall behind.

IMPORTANT: Wall mounting bracket must be secured to a solidly mounted to a framing member in at least two locations. Do not depend on drywall anchors alone to support this fixture. If in doubt, contact a qualified electrician. Drill 1/4" holes in the locations marked on the wall. For holes using anchors, place the tapered end of the anchors (B) into the holes and gently tap them flush to the wall using a light weight hammer.

3. Thread the wires in the electrical box through the hole in the wall mounting bracket (A) while moving the bracket into position. Using the 1" #10 screws (C), screw the bracket securely to the wall. Be careful not to over-tighten or strip the anchors.
4. Hold the fixture assembly (F) close to the wall mounting bracket (A) and using suitable wire connectors (not provided) connect fixture wires to supply wires (white to white, black to black, and bare copper or green to bare copper or green). Ground the mounting bracket using the green ground wire fastened to the back of the fixture assembly (F).
Caution: Make sure wire connectors are twisted on securely, and no bare wires are exposed.
5. Carefully tuck all wires behind the fixture (F) and inside the wall mounting bracket (A) and place the fixture over the bracket so the holes in the top and bottom match the threaded standoffs protruding from the wall mounting bracket (A). Secure the fixture by threading the black screws (E) through the holes in the fixture (F) and into the wall mounting bracket (A) using supplied wrench.
6. See instructions following to install glass.



(Figure 1)

(continued)

Assembly & Installation Instructions

Ondrian Vertical Three-Light Sconces 206309L, 206309R, 206315L & 206315R

B185

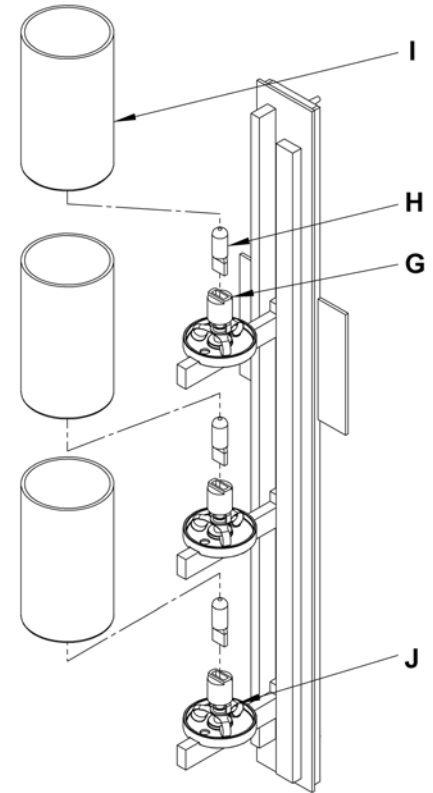
Page 2 of 2

To Install Glass (Figure 2)

Component Parts

- G Socket (3)
- H Bulb (Included) (3)
- I Glass (3)
- J Glass Spring Clip (3)

1. Install light bulb (H). Be careful not to touch bulb with bare hands; oil from the hands will dramatically reduce bulb life.
2. Slip glass (I) over socket (G) until it engages with glass spring clip (J).
3. Restore electricity at main breaker.



(Figure 2)

If you need further assistance, or find that you are missing any parts, please contact the dealer from which you purchased this product. We hope you enjoy your fixture!

* Hubbardton Forge will not be liable for injury or damage caused by improper installation, lamping or use of this fixture.