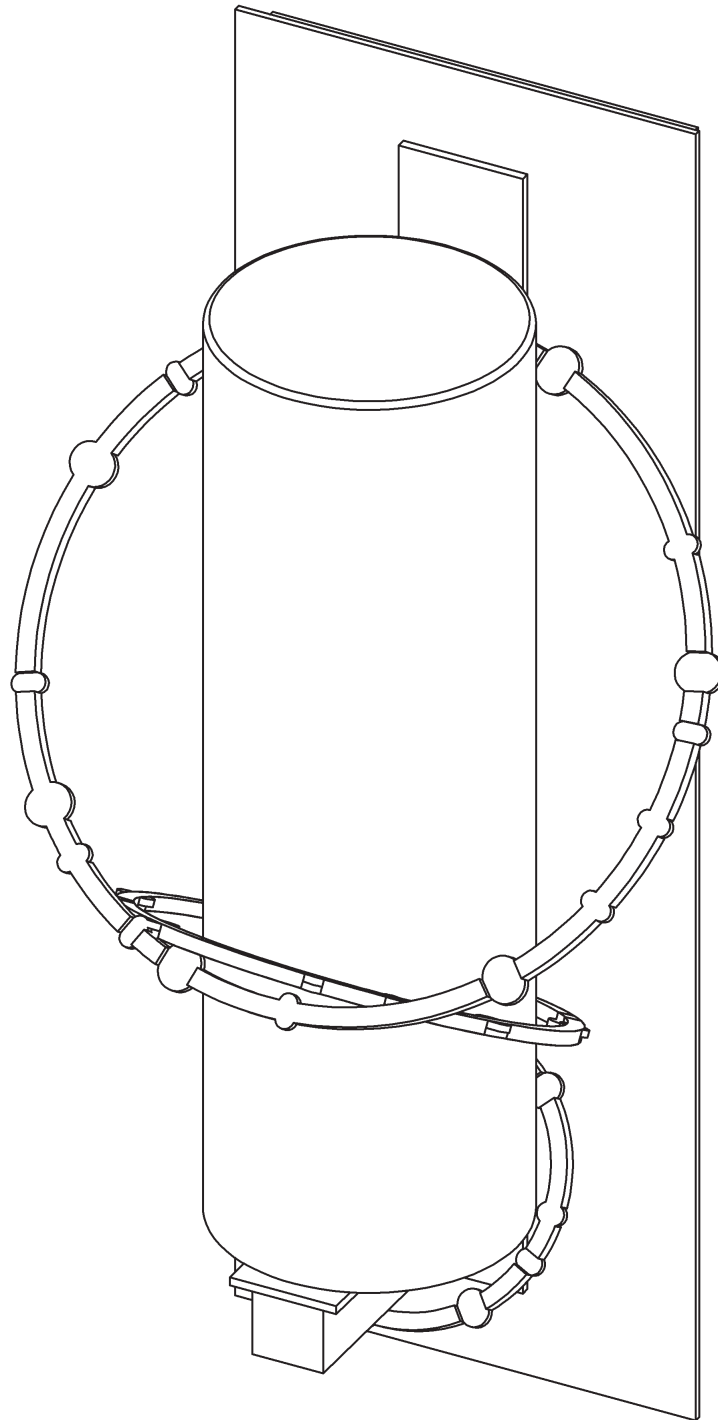


ASSEMBLY & INSTALLATION INSTRUCTIONS

B489

Olympus Outdoor Sconce Medium 302402



HUBBARDTON FORGE.

MODERN AMERICAN BLACKSMITHS | FINE, HAND CRAFTED LIGHTING
CASTLETON, VERMONT USA | HUBBARDTONFORGE.COM

ASSEMBLY & INSTALLATION INSTRUCTIONS

B489

Olympus Outdoor Sconce Medium 302402

Component Parts

A	Fixture
B	Cap
C	Threaded Nipple
D	Lock Nut
E	Crossbar
F	Ground Screw
G	Caulking Lip
H	Socket
I	Glass
J	Brace
K	Holder
L	Bulb (Not Included)



ASSEMBLY & INSTALLATION INSTRUCTIONS

B489

Olympus Outdoor Sconce Medium 302402

CAUTION: FAILURE TO INSTALL THIS FIXTURE PROPERLY MAY RESULT IN SERIOUS PERSONAL INJURY OR DEATH AND PROPERTY DAMAGE. We recommend installation by a licensed electrician. This product must be installed in accordance with applicable installation code(s), by a person familiar with the construction and operation of the product and the hazards involved.*

Caution: Do not exceed maximum wattage noted on fixture. Use only recommended bulbs with fixture.

Please Note: After installation extra hardware and accessories are possible; our kits are used on multiple products and options.

To Install Fixture (Figures 1 & 2)

CAUTION: BE SURE POWER IS OFF AT THE MAIN BREAKER BOX PRIOR TO INSTALLATION.

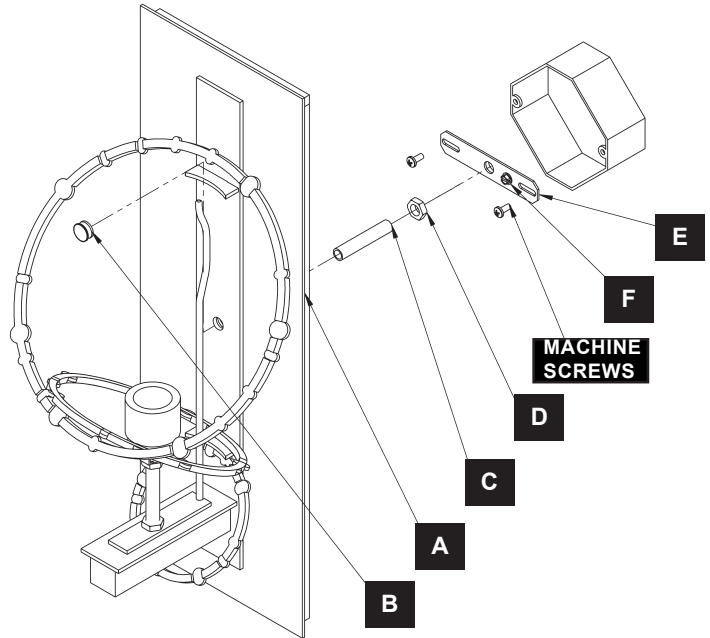
1. Carefully unpack the fixture (A) from the carton.
2. Using two machine screws (not provided) attach crossbar (E) to the electric box.

Note: A new electric box comes with screws. When replacing a fixture, retain the screws for use with the new fixture.

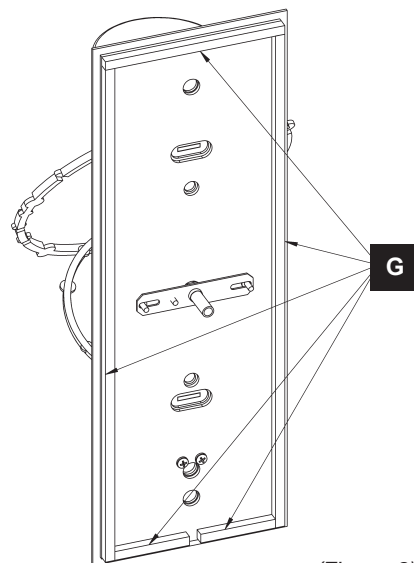
3. Thread the nipple (C) into the crossbar (E) and secure with lock nut (D). Adjust the nipple to proper length to ensure the fixture will fit snugly to the wall.
4. Attach a pigtail lead to the ground screw (F) on the crossbar (E).
5. Using suitable wire connectors (not provided), connect the fixture wires to the supply wires, (white to white, black to black). Connect all ground wires together.

CAUTION: MAKE SURE WIRE CONNECTORS ARE TWISTED ON SECURELY AND NO BARE WIRES ARE EXPOSED.

6. Apply a generous bead of a suitable caulking material to caulking lip (G) on the fixture (Figure 2).
7. Carefully tuck all wires behind the fixture. Place fixture (A) over threaded nipple (C) and tighten firmly to mounting surface using cap (B).
8. Complete steps on following page to install glass.



(Figure 1)



(Figure 2)

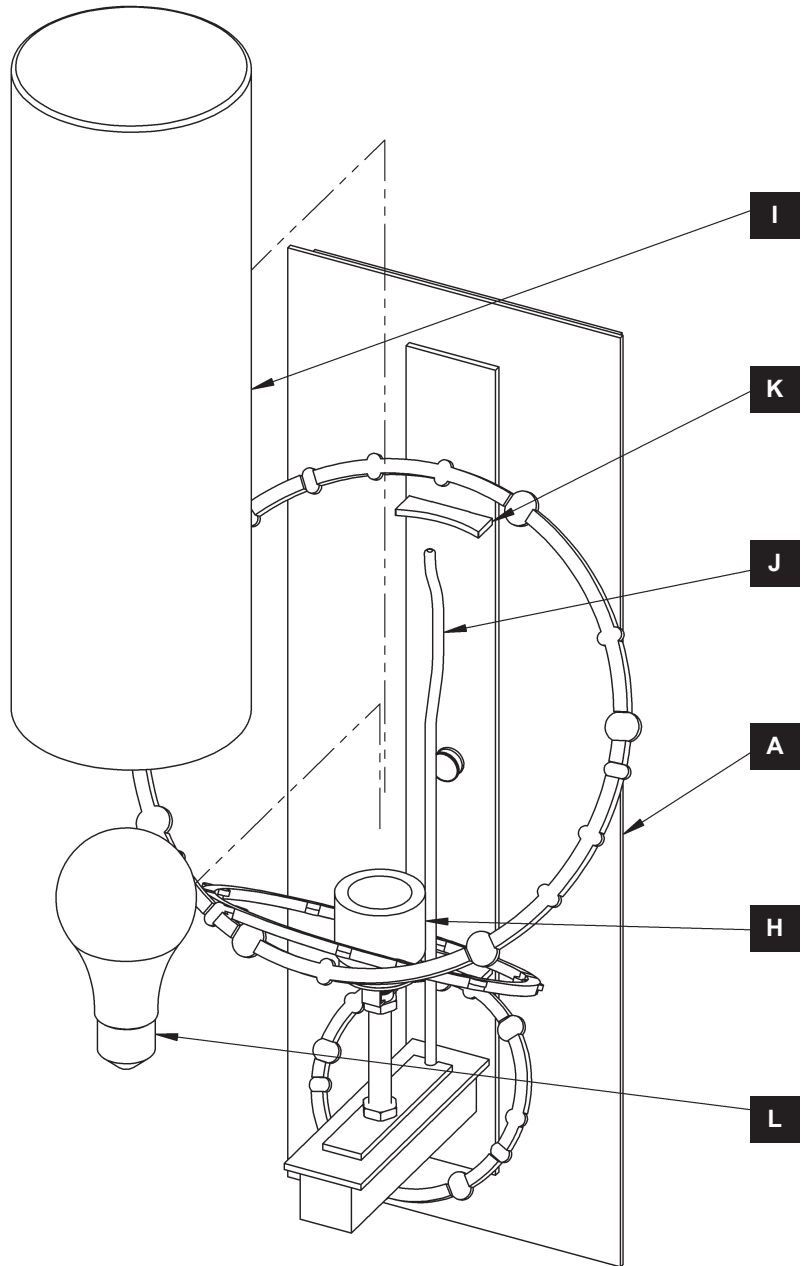
Olympus Outdoor Sconce Medium 302402

To Install Glass (Figure 3)

1. Carefully unpack glass (I) from the carton.
2. Install bulb (L) (not included) into socket (H).
3. Slide glass (I) over bulb (L) until it rests on fixture (A).

Note: Glass (I) needs to slide between brace (J) and holder (K). Holder (K) will apply pressure on the glass to hold secure.

4. Restore electricity at main breaker.



(Figure 3)

If you need further assistance, or find that you are missing any parts, please contact the dealer from which you purchased this product. We hope you enjoy your fixture!

*** Hubbardton Forge will not be liable for injury or damage caused by improper installation, lamping or use of this fixture.**