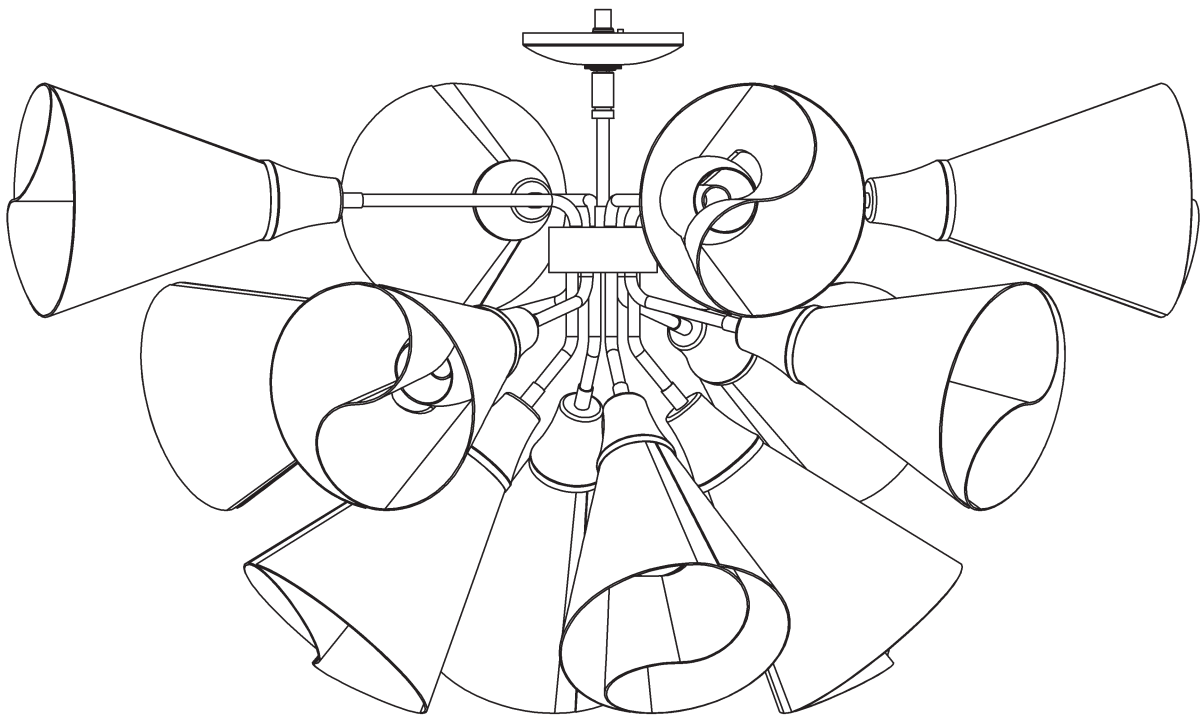


ASSEMBLY & INSTALLATION INSTRUCTIONS

A693

Mobius Semi-Flush 124362



HUBBARDTON FORGE.

MODERN AMERICAN BLACKSMITHS | FINE, HAND CRAFTED LIGHTING
CASTLETON, VERMONT USA | HUBBARDTONFORGE.COM

46792

Component Parts

- A Fixture**
- B Fixture Pipe**
- C Crossbar**
- D Jam Nut**
- E Threaded Nipple**
- F Ground Screw**
- G Canopy Ring**
- H Canopy**
- I Socket (12)**
- J Bulb (12) (not included)**
- K Shade (12)**
- L Glass (12)**
- M Flat Shade Panel (12)**
- N Male End Plastic Button (48)**
- O Female End Plastic Button (48)**



ASSEMBLY & INSTALLATION INSTRUCTIONS

A693

Mobius Semi-Flush 124362

CAUTION: FAILURE TO INSTALL THIS FIXTURE PROPERLY MAY RESULT IN SERIOUS PERSONAL INJURY OR DEATH AND PROPERTY DAMAGE. We recommend installation by a licensed electrician. This product must be installed in accordance with applicable installation code(s), by a person familiar with the construction and operation of the product and the hazards involved.*

Caution: Do not exceed maximum wattage noted on fixture. Use only recommended bulbs with fixture.

Please Note: After installation extra hardware and accessories are possible due to our kits are used on multiple products and options.

To Install Fixture (Figures 1 & 2)

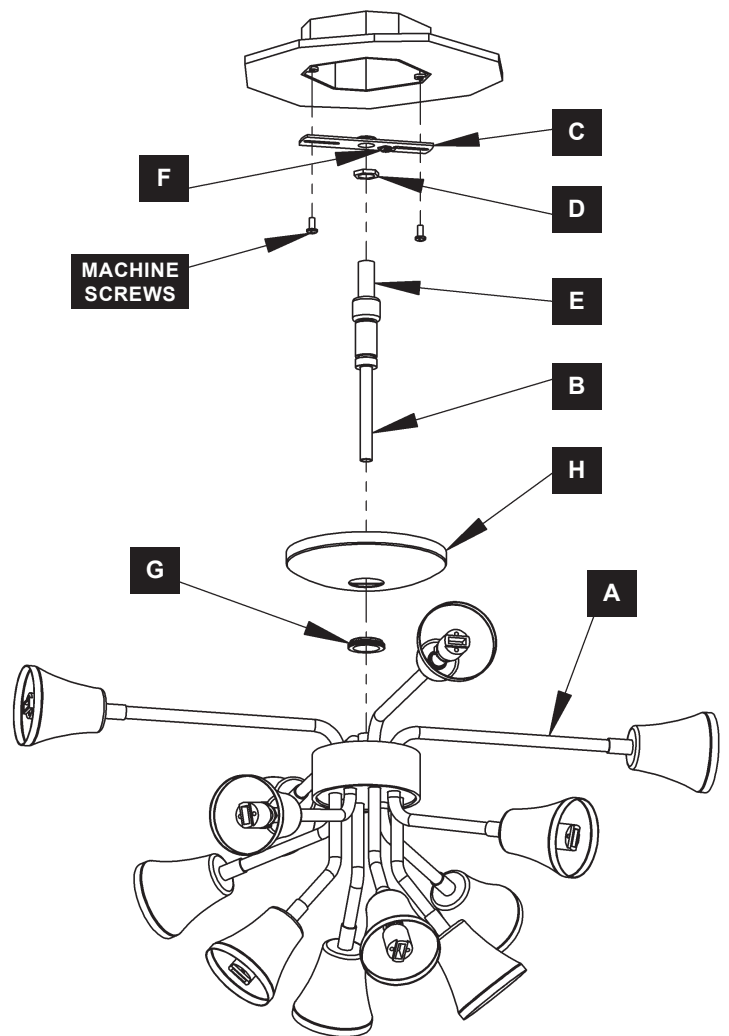
CAUTION: BE SURE POWER IS OFF AT THE MAIN BREAKER BOX PRIOR TO INSTALLATION.

1. Carefully unpack the fixture from the carton.
2. Thread jam nut (D) and crossbar (C) onto threaded nipple (E) with ground screw (F) facing towards fixture pipe (B); leave both parts loose.
3. Using two machine screws (not provided), temporarily fasten crossbar (C) to the electric box (Figure 1).

NOTE: A NEW ELECTRIC BOX COMES WITH SCREWS. WHEN REPLACING A FIXTURE, RETAIN THE EXISTING SCREWS FOR USE WITH THE NEW FIXTURE.

4. Adjust the length of threaded nipple (E) in crossbar (C) so that canopy ring (G) will hold canopy (H) against the ceiling with no threads showing for best appearance. When the correct adjustment is established, tighten jam nut (D) against crossbar (C) to hold the adjustment.
5. Remove crossbar (C) and fixture pipe (B) from the electrical box and proceed with the assembly instructions.
6. Carefully slide canopy ring (G) and canopy (H) over wires until they rest on the fixture.
7. Thread fixture pipe (B), threaded end first, over fixture wires. Apply a drop of the supplied thread locking compound to the threads of fixture pipe (B) and screw into fixture (A), being careful not to twist the wires.

NOTE: APPLICATION OF THE THREAD LOCKING COMPOUND IS NECESSARY TO PREVENT THE PIPE FROM LOOSENING DURING REGULAR MAINTENANCE AND CLEANING OF THE FIXTURE. BE CERTAIN TO APPLY THE COMPOUND.



(Figure 1)

ASSEMBLY & INSTALLATION INSTRUCTIONS

A693

Mobius Semi-Flush 124362

CAUTION: FAILURE TO INSTALL THIS FIXTURE PROPERLY MAY RESULT IN SERIOUS PERSONAL INJURY OR DEATH AND PROPERTY DAMAGE. We recommend installation by a licensed electrician. This product must be installed in accordance with applicable installation code(s), by a person familiar with the construction and operation of the product and the hazards involved.*

Caution: Do not exceed maximum wattage noted on fixture. Use only recommended bulbs with fixture.

To Install Fixture

- Using two machine screws (not provided), fasten crossbar (C) to the electric box.

NOTE: A NEW ELECTRIC BOX COMES WITH SCREWS. WHEN REPLACING A FIXTURE, RETAIN THE EXISTING SCREWS FOR USE WITH THE NEW FIXTURE.

- Using suitable wire connectors (not provided) connect fixture wires to supply (white to white and black to black). Attach a pigtail lead to crossbar ground screw (F). Connect all ground wires (bare copper or green to bare copper or green).

CAUTION: MAKE SURE WIRE CONNECTORS ARE TWISTED ON SECURELY, AND NO BARE WIRE IS EXPOSED.

- Slide canopy (H) against ceiling, and secure with canopy ring (G).

CAUTION: BE SURE NO WIRES ARE PINCHED BETWEEN CANOPY (H) AND THE CEILING.

- Refer to instructions on next page to install shades and bulbs.



HUBBARDTON FORGE.

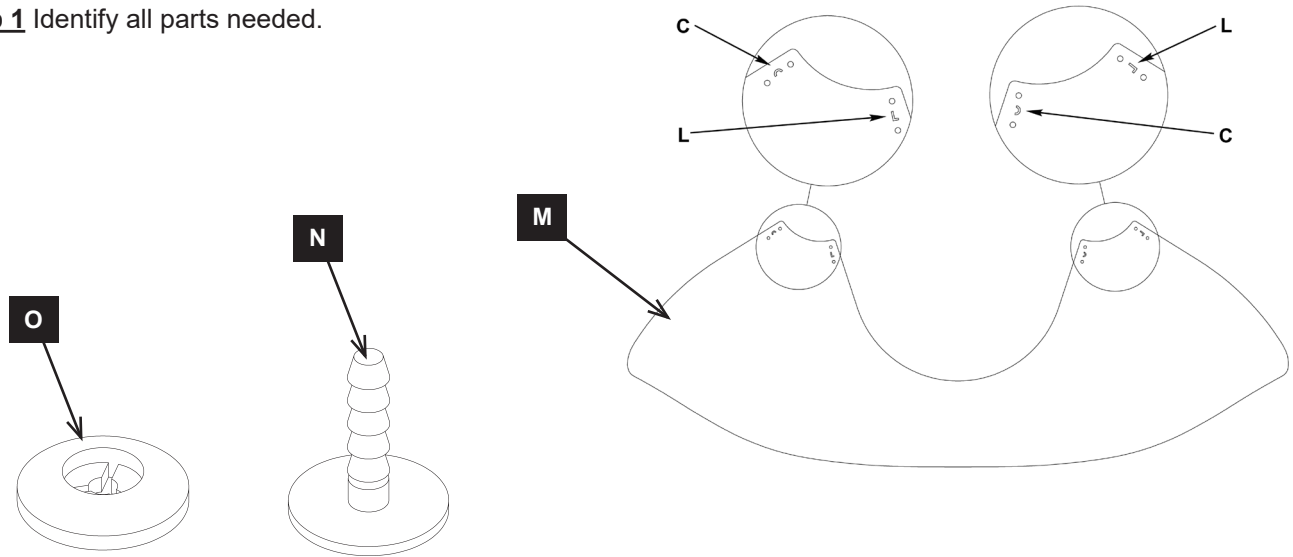
MODERN AMERICAN BLACKSMITHS | FINE, HAND CRAFTED LIGHTING
CASTLETON, VERMONT USA | HUBBARDTONFORGE.COM

46792

Mobius Semi-Flush 124362

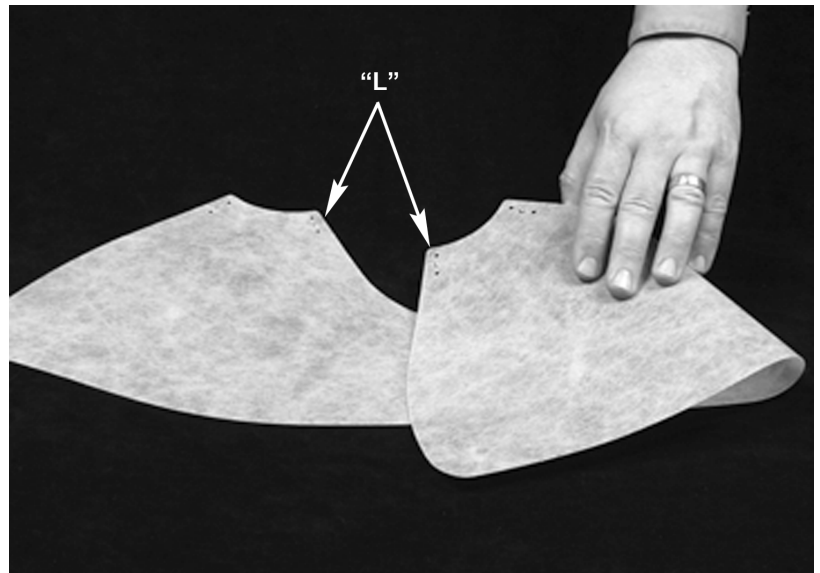
To Assemble Shade

Step 1 Identify all parts needed.

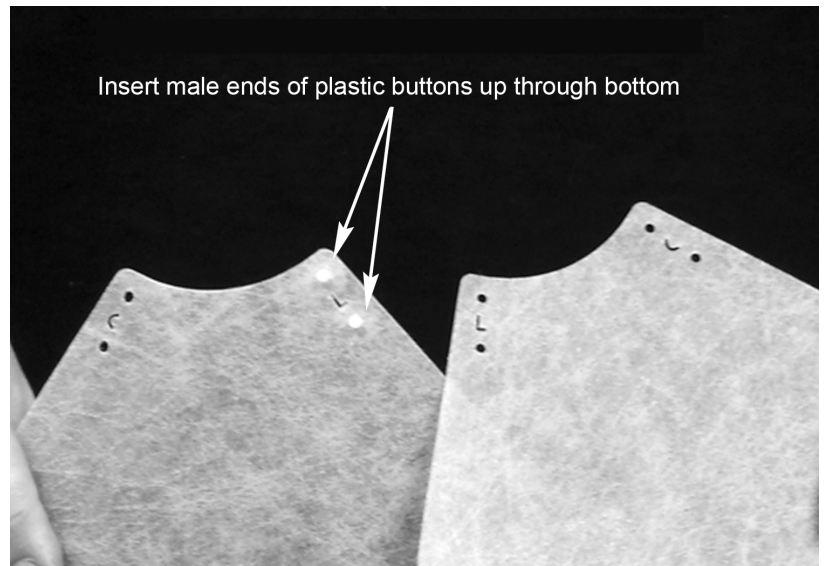


Step 2 Fold shade panel (M) over and align letter designations "L".

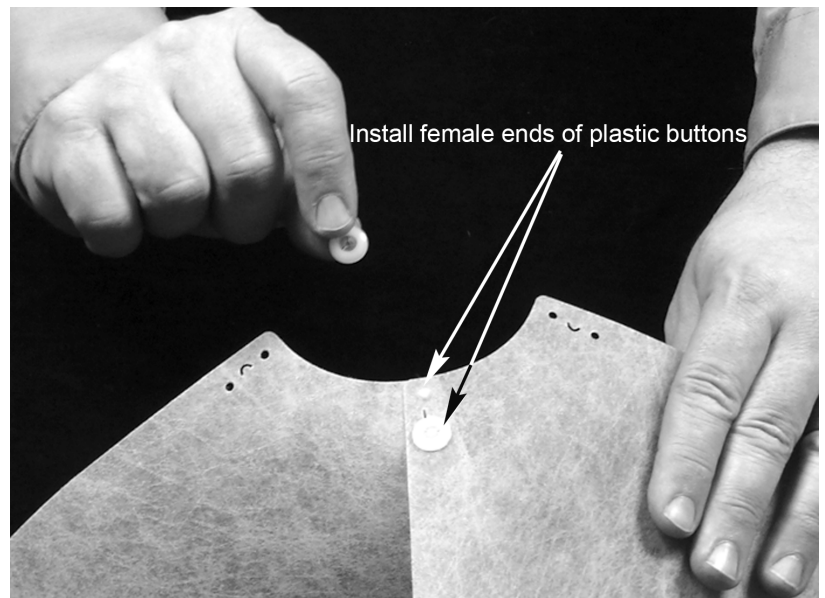
Note: Top letter "L" should be oriented the same as the bottom letter "L".



Step 3 Slip male end of plastic button up through bottom of shade panel as shown.

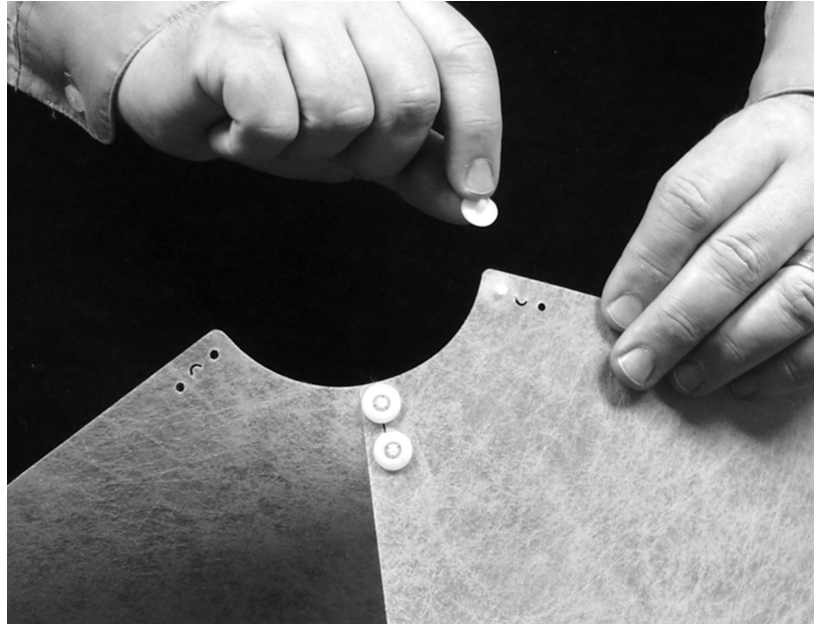


Step 4 Align "L" holes and mount the other side of the shade panel (M) onto the two male end plastic buttons (N). Install two female end plastic buttons (O) and press firmly to snap into place. Clip excess length of the male button off after installing female plastic buttons.



Step 5 Slip male end plastic buttons (N) through the “C” side of the shade panel (M).

Note: Letter “C” should read the same as shown (this indicates the outside of the shade).



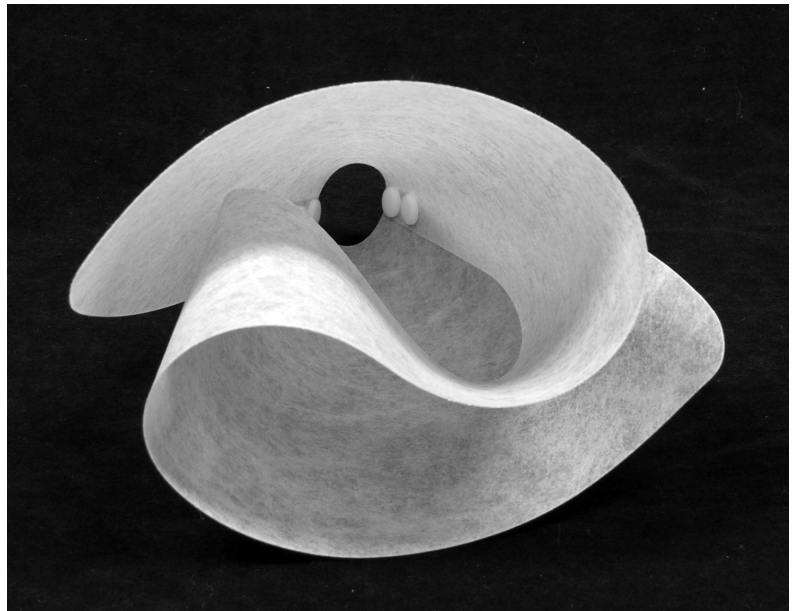
Step 6 Fold the shade panel (M) as shown to match the “C” sides. Insert the other side of the shade panel (M) onto the two male end plastic buttons (N).



Step 7 Install two female end plastic buttons (O) and press firmly to snap into place. Clip excess length of the male button off after installing female plastic buttons.

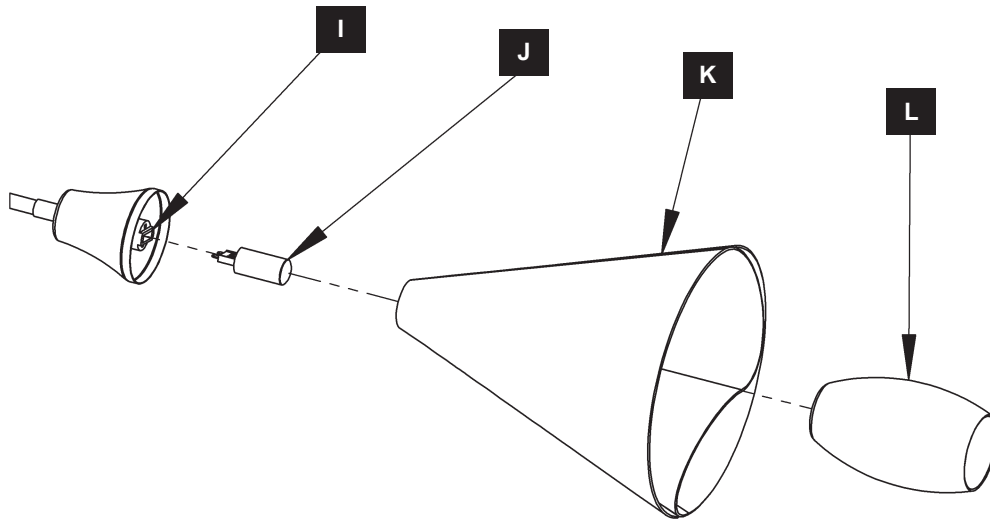


Bottom View of Assembled Shade



Mobius Semi-Flush 124362

To Complete Installation *(Figure 3)*



(Figure 3)

1. Install bulb (J) into socket (I). Be careful not to touch bulb with bare hands; oil from the hands will dramatically reduce bulb life.
2. Slip shade assembly (K) over socket (I).
3. Thread glass (L) onto socket (I) to secure shade assembly (K).

NOTE: BE CAREFUL NOT TO CROSS THREAD OR OVERTIGHTEN AND BREAK GLASS.

4. Repeat for remaining sockets (I).
5. Restore electricity at the main breaker

If you need further assistance, or find that you are missing any parts, please contact the dealer from which you purchased this product. We hope you enjoy your fixture!
 *Hubbardton Forge will not be liable for injury or damage caused by improper installation, lamping or use of this fixture.