

Installation Instructions

For Semi-Flushes 12-6747D & 12-6742D

A356

Page 1 of 3

CAUTION: FAILURE TO INSTALL THIS FIXTURE PROPERLY MAY RESULT IN SERIOUS PERSONAL INJURY OR DEATH AND PROPERTY DAMAGE. We recommend installation by a licensed electrician.

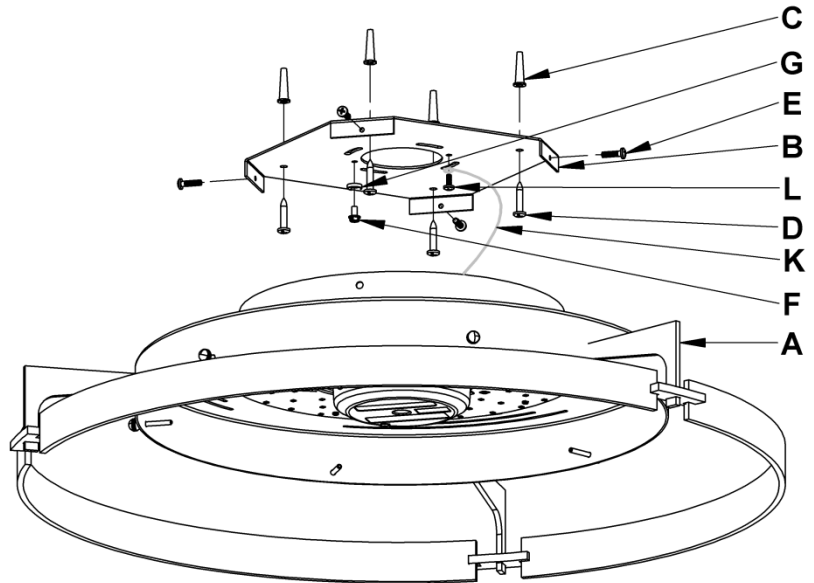
This product must be installed in accordance with applicable installation code(s), by a person familiar with the construction and operation of the product and the hazards involved.*

Caution: Do not exceed maximum wattage noted on fixture. Use only recommended bulbs with fixture.

To Install Fixture (Figure 1)

Component Parts

- A Fixture
- B Mounting Bracket
- C Anchors (4)
- D #10 Screws (4)
- E #8 Screws (4)
- F Ground Screw
- G Cupped Washer
- K Safety Cable
- L Short #8 Black Screw (from kit bag)



(Figure 1)

Caution: Be sure power is off at the main breaker box prior to installation.

1. Carefully unpack the fixture from the carton.
2. Remove screws (E) from mounting bracket (B) and remove from fixture. Keep screws for later use. *Bracket ships installed.*
3. Place the mounting bracket (B) over the electrical box. With a pencil, mark the location of all mounting holes in the mount bracket (B) on the ceiling.
IMPORTANT: Mounting brackets must be secured to a solidly mounted to a framing member in at least two locations. Do not depend on drywall anchors alone to support this fixture. If in doubt, contact a qualified electrician.
4. Drill 1/4" holes in the locations marked on the ceiling. For holes using anchors, place the tapered end of the anchors (C) into the holes and gently tap them flush to the ceiling using a light weight hammer.
5. Thread the wires in the electrical box through the hole in the mounting bracket (B) while moving the bracket into position. Using two machine screws (not provided) fasten bracket (B) to the electric box using outer oval holes to orient fixture to desired hanging position. Ensure the anchor holes in the mounting bracket (B) line up with the anchors (C) installed in the ceiling.
Note: A new electric box comes with screws. When replacing an existing fixture, retain the screws for use with the new fixture.
6. Using the 1" #10 screws (D), screw the bracket securely to the ceiling. Be careful not to over-tighten or strip the anchors.
7. Raise fixture (A) close to ceiling. Attach safety cable (K) to mounting bracket (B) using a short #8 screw (L) from kit bag. Temporarily suspend fixture using cable.

Caution: The cable is intended to temporarily suspend the fixture to help with installation. Never depend on them to support fixtures with glass installed.

(continued)

Installation Instructions

For Semi-Flushes 12-6747D & 12-6742D

A356

Page 2 of 3

8. Hold the fixture (A) close to the mounting bracket (B) and using suitable wire connectors (not provided) connect fixture wires to supply wires (white to white and black to black). Run a pigtail lead from the ground screw (F) and cupped washer (G) to the electrical box and connect all ground wires (bare copper or green to bare copper or green).

Caution: Make sure wire connectors are twisted on securely, and no bare wires are exposed.

9. Carefully tuck all wires behind the fixture (A) and place over the bracket (B) so the holes in fixture (A) align with holes in the mounting bracket (B). Secure by threading the (4) #8 black screws (E) through the holes in the fixture (A) and into the mounting bracket (B).

To Install Glass on 12-6747 (Figure 2)

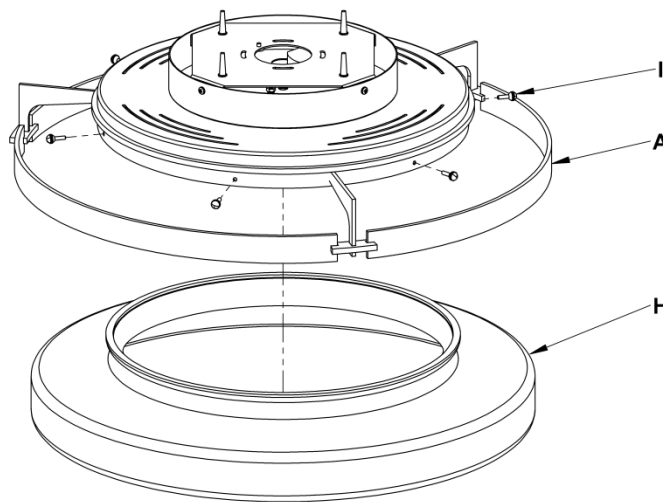
Component Parts

- A Fixture
- H Glass
- I Ball Head Screws (6)

1. Raise glass (H) and install into fixture (A).
2. Install (6) Ball Head Screws (I) and tighten to secure glass. *Be sure not to over tighten.*

Note: Screws are shipped installed. It might be necessary to back out screw before glass can be installed.

3. Restore electricity at main breaker.



(Figure 2)

Installation Instructions

For Semi-Flushes 12-6747D & 12-6742D

A356

Page 3 of 3

To Install Glass on 12-6742 (Figures 3&4)

Component Parts

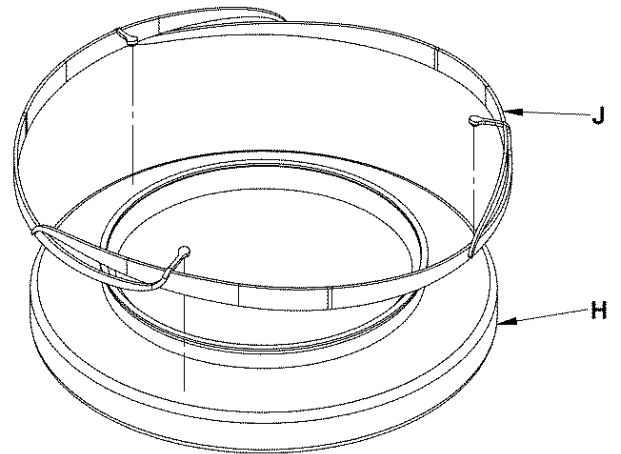
- B Fixture
- H Glass
- I Ball Head Screws (6)
- J Decorative Assembly (Only for 12-6742)

1. Install Decorative Assembly (J) onto glass (H). (Figure 3)
2. Install light bulbs. (Not Included.)
3. Raise glass (H) with decorative assembly (J) and install into fixture (A). (Figure 4)
4. Install (6) Ball Head Screws (I) and tighten to secure glass.

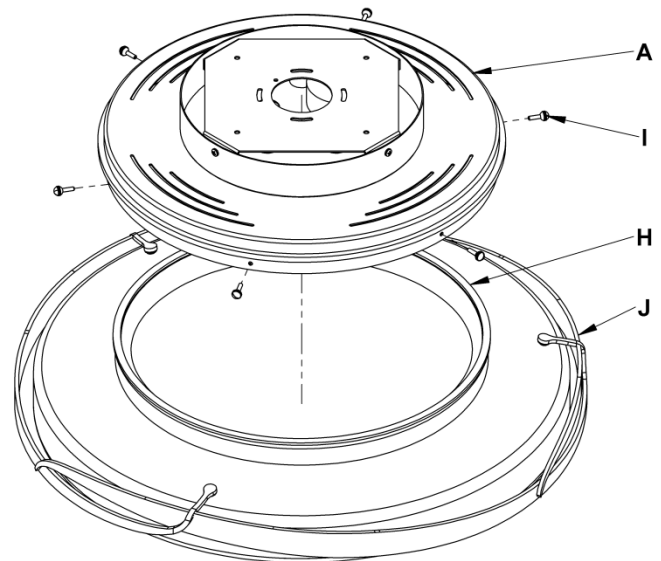
Be sure not to over tighten.

Note: Screws are shipped installed. It might be necessary to back out screw before glass can be installed.

5. Restore electricity at main breaker.



(Figure 3)



(Figure 4)

If you need further assistance, or find that you are missing any parts, please contact the dealer from which you purchased this product. We hope you enjoy your fixture!

* Hubbardton Forge will not be liable for injury or damage caused by improper installation, lamping or use of this fixture.