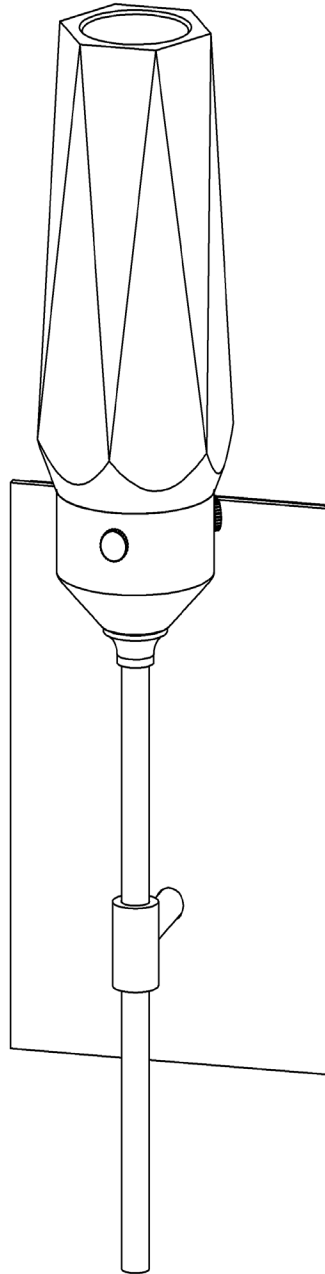


ASSEMBLY & INSTALLATION INSTRUCTIONS

B395

Luma Sconce 203335



HUBBARDTON FORGE.

MODERN AMERICAN BLACKSMITHS | FINE, HAND CRAFTED LIGHTING
CASTLETON, VERMONT USA | HUBBARDTONFORGE.COM

42373 Rev A

Component Parts

- A Fixture**
- B Mounting Bracket**
- C Anchors (4)**
- D #10 Screws (4)**
- E Ground Screw**
- F Cupped Washer**
- G #8 Screws (4)**
- H Socket**
- I B Type Bulb (Not Included)**
- J Crystal**
- K Socket Cup**
- L Thumb Screw (3)**



ASSEMBLY & INSTALLATION INSTRUCTIONS

B395

Luma Sconce 203335

CAUTION: FAILURE TO INSTALL THIS FIXTURE PROPERLY MAY RESULT IN SERIOUS PERSONAL INJURY OR DEATH AND PROPERTY DAMAGE. We recommend installation by a licensed electrician. This product must be installed in accordance with applicable installation code(s), by a person familiar with the construction and operation of the product and the hazards involved.*

Caution: Do not exceed maximum wattage noted on fixture. Use only recommended bulbs with fixture.

Please Note: After installation extra hardware and accessories are possible due to our kits are used on multiple products and options.

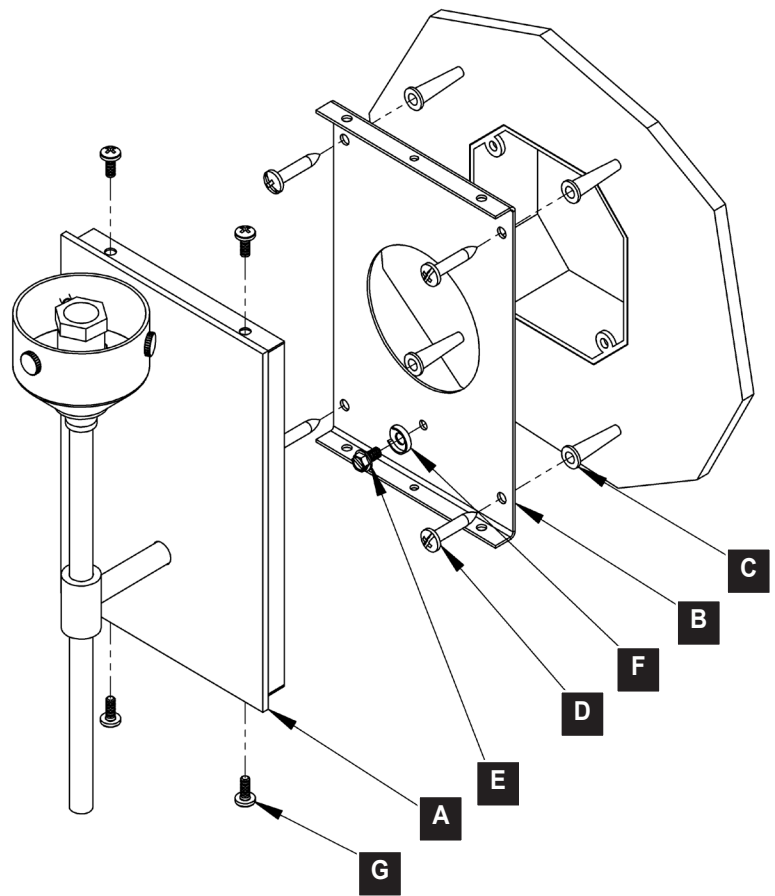
To Attach to Wall (Figure 1)

CAUTION: BE SURE POWER IS OFF AT THE MAIN BREAKER BOX PRIOR TO INSTALLATION.

1. Carefully unpack the fixture (A) from the carton.
2. Take off rubber band and remove mounting bracket (B) from fixture (A).
3. Place the mounting bracket (B) over the electrical box being sure to hold it level. With a pencil, mark the location of all mounting holes in the mounting bracket on the wall behind. Set bracket aside.
4. Drill 1/4" holes in the locations marked on the wall. Place the tapered end of the anchors (C) into the holes and gently tap them flush to the wall using a light weight hammer.
5. Thread the wires in the electrical box through the hole in the mounting bracket (B) while moving the bracket into position. Using #10 screws (D), screw the mounting bracket securely to the wall. Be careful not to over-tighten or strip the anchors (C).
6. Attach a pigtail lead to the mounting bracket (B) using the ground screw (E) and cupped washer (F) found in kit bag.
7. Hold fixture (A) close to wall. Using suitable wire connectors (not provided), connect fixture wires to supply wires (white to white and black to black). Connect all ground wires (bare copper or green to bare copper or green).

CAUTION: MAKE SURE WIRE CONNECTORS ARE TWISTED ON SECURELY AND NO BARE WIRE IS EXPOSED.

8. Place fixture (A) over mounting bracket (B). Secure with #8 screws (G) on top and bottom of fixture. Be sure no wires are pinched between fixture and wall.
9. See following page to complete installation.



(Figure 1)

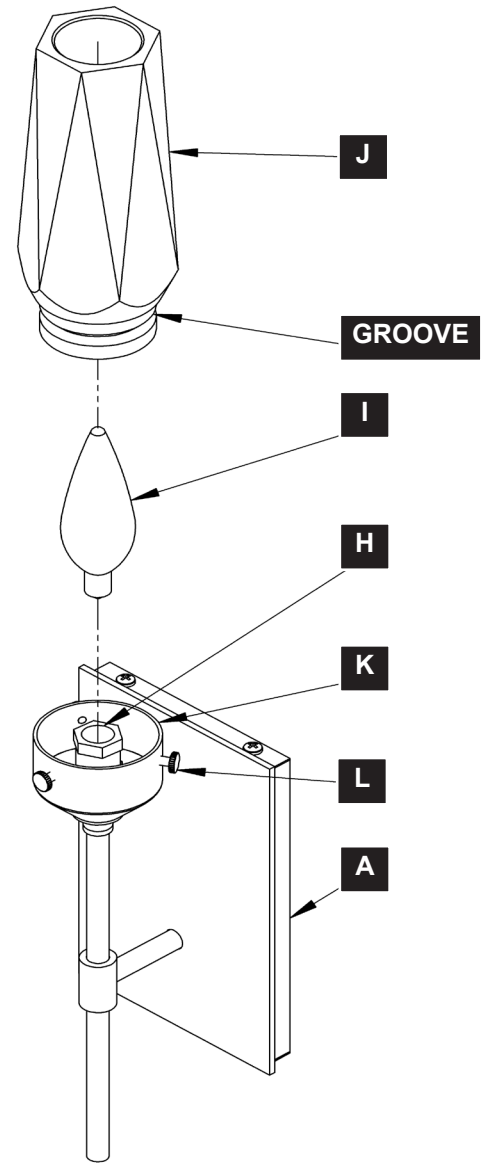
Luma Sconce 203335

To Install Crystal *(Figure 2)*

1. Using provided white gloves, unpack crystal (J).
2. Install B type bulb (I) (not included) into socket (H) .
3. Place crystal (J) over the bulb (I) and insert into socket cup (K).

Note: It may be necessary to loosen thumb screws (L) to allow crystal (J) to slide into cup (K). They will not need to be removed completely.

4. Align groove in crystal (J) with thumb screws (L) and tighten thumb screws evenly to secure crystal.
5. If necessary, polish crystal with white gloves provided.
6. Restore electricity at main breaker



(Figure 2)

If you need further assistance, or find that you are missing any parts, please contact the dealer from which you purchased this product. We hope you enjoy your fixture!

*** Hubbardton Forge will not be liable for injury or damage caused by improper installation, lamping or use of this fixture.**