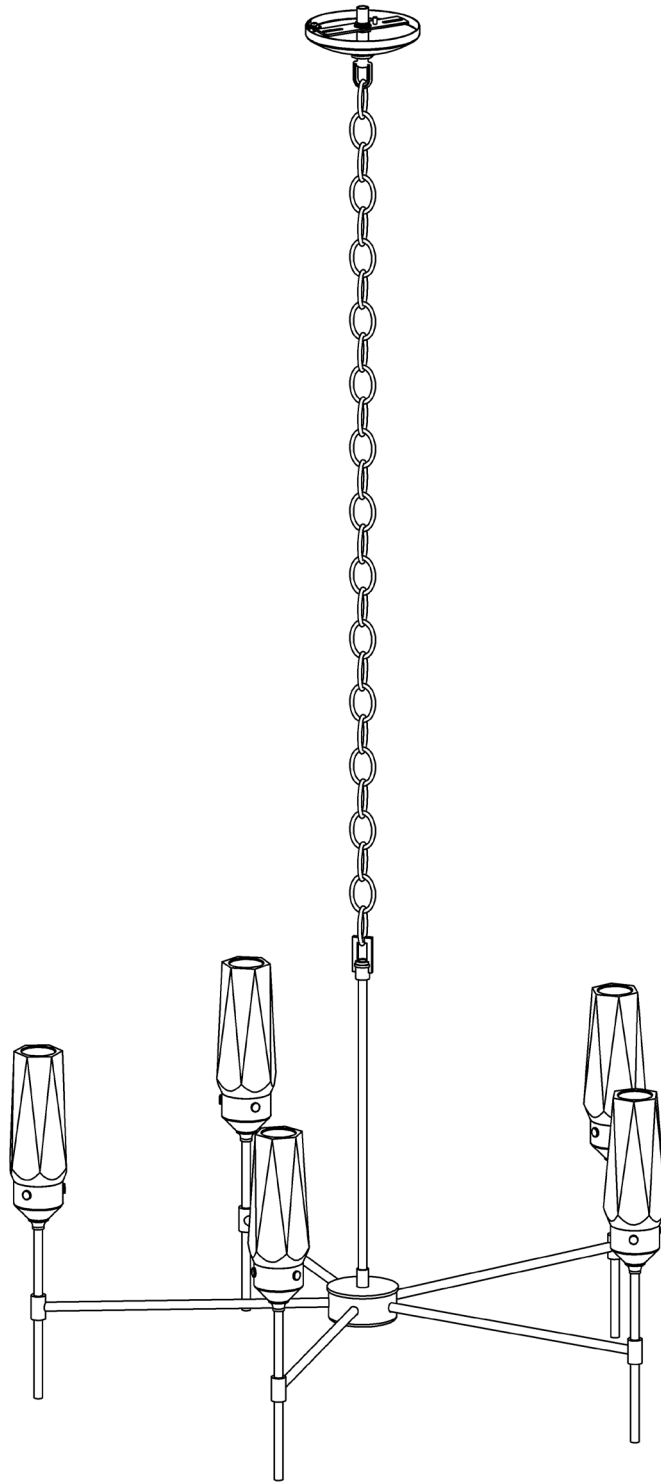


ASSEMBLY & INSTALLATION INSTRUCTIONS

A579

Luma Chandelier 105060



HUBBARDTON FORGE.

MODERN AMERICAN BLACKSMITHS | FINE, HAND CRAFTED LIGHTING
CASTLETON, VERMONT USA | HUBBARDTONFORGE.COM

42376 Rev A

Component Parts

- A Crossbar**
- B Lock Nut**
- C Nipple**
- D Ground Screw**
- E Canopy**
- F Canopy Ring**
- G Canopy Loop**
- H Chain**
- I Fixture Loop**
- J Fixture**
- K Socket (5)**
- L Crystal (5)**
- M Thumb Screw (15)**
- N Socket Cup (5)**



ASSEMBLY & INSTALLATION INSTRUCTIONS

A579

Luma Chandelier 105060

CAUTION: FAILURE TO INSTALL THIS FIXTURE PROPERLY MAY RESULT IN SERIOUS PERSONAL INJURY OR DEATH AND PROPERTY DAMAGE. We recommend installation by a licensed electrician. This product must be installed in accordance with applicable installation code(s), by a person familiar with the construction and operation of the product and the hazards involved.*

Caution: Do not exceed maximum wattage noted on fixture. Use only recommended bulbs with fixture.

Please Note: After installation extra hardware and accessories are possible due to our kits are used on multiple products and options.

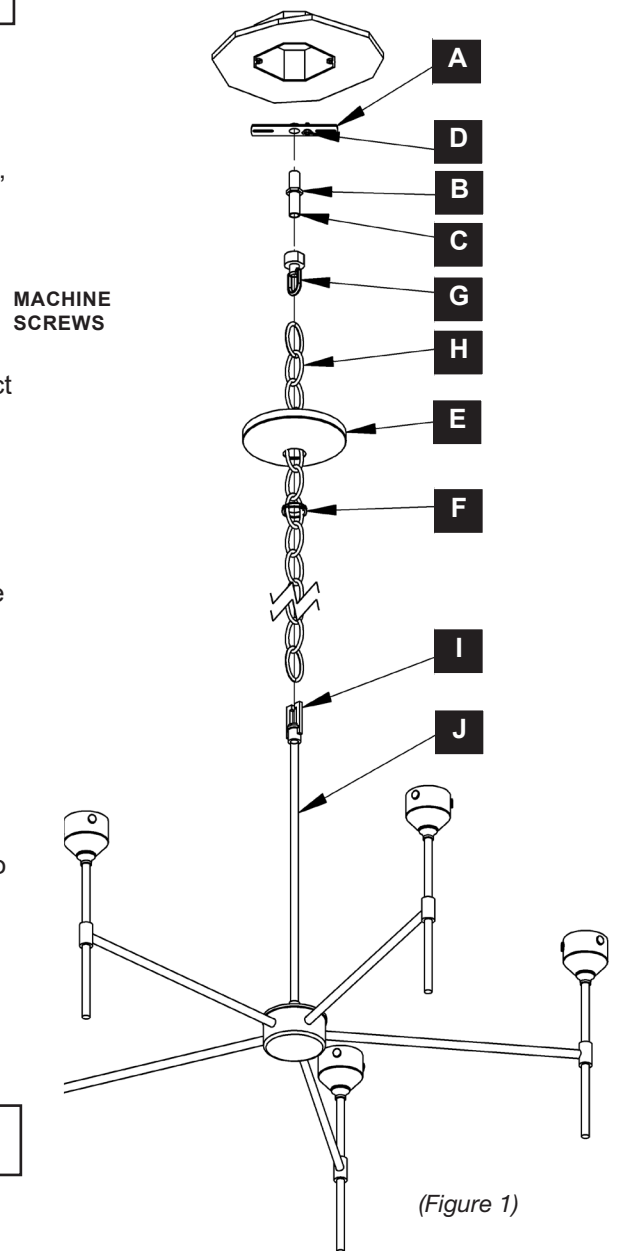
To Attach to Ceiling (Figure 1)

CAUTION: BE SURE POWER IS OFF AT THE MAIN BREAKER BOX PRIOR TO INSTALLATION.

1. Carefully unpack fixture from the carton.
2. Using two machine screws (not provided), fasten the crossbar (A) to the electric box with the head of the ground screw (D) facing down.
Note: A new electric box comes with screws. When replacing a fixture, retain the existing screws for use with the new fixture.
3. Thread nipple (C) into crossbar (A) and then thread lock nut (B) and canopy loop (G) onto threaded nipple, leaving parts loose. Adjust the length of threaded nipple in crossbar so that canopy ring (F), which comes threaded onto canopy loop, will hold canopy (E) against the ceiling with no threads showing for best appearance. When the correct adjustment is established, tighten lock nut against crossbar to hold adjustment.
4. Remove the crossbar (A) assembly from electrical box.
5. Attach one end of the chain (H) to the fixture loop (I) using a chain spreader (not provided). Lace the wires through every other link of the chain to the end. Slip wires and chain through canopy ring (F), and canopy (E). Allow canopy ring and canopy to slide down chain and rest on fixture loop. Fasten the chain to the canopy loop (G).
6. Slip wires through the canopy loop (G) and nipple (C). Make sure to provide enough slack in the wire to ensure weight of fixture is supported by the chain.
7. Using two machine screws (not provided), reattach the crossbar (A) to the electric box.
8. Using suitable wire connectors (not provided) connect fixture wires to supply wires (white to ribbed side of the fixture cord, black to smooth side). Run a pigtail lead from crossbar ground screw (D) to the junction box and connect all ground wires (bare copper or green to bare copper or green).

CAUTION: MAKE SURE WIRE CONNECTORS ARE TWISTED ON SECURELY AND NO BARE WIRE IS EXPOSED.

9. Raise canopy (E) to the ceiling and secure loop collar (F) to canopy loop (G).
10. Follow steps on next page to complete installation.



(Figure 1)

CONTINUED

HF HUBBARDTON FORGE.

MODERN AMERICAN BLACKSMITHS | FINE, HAND CRAFTED LIGHTING
CASTLETON, VERMONT USA | HUBBARDTONFORGE.COM

42376 Rev A

ASSEMBLY & INSTALLATION INSTRUCTIONS

A579

Luma Chandelier 105060

To Install Crystals (Figure 2)

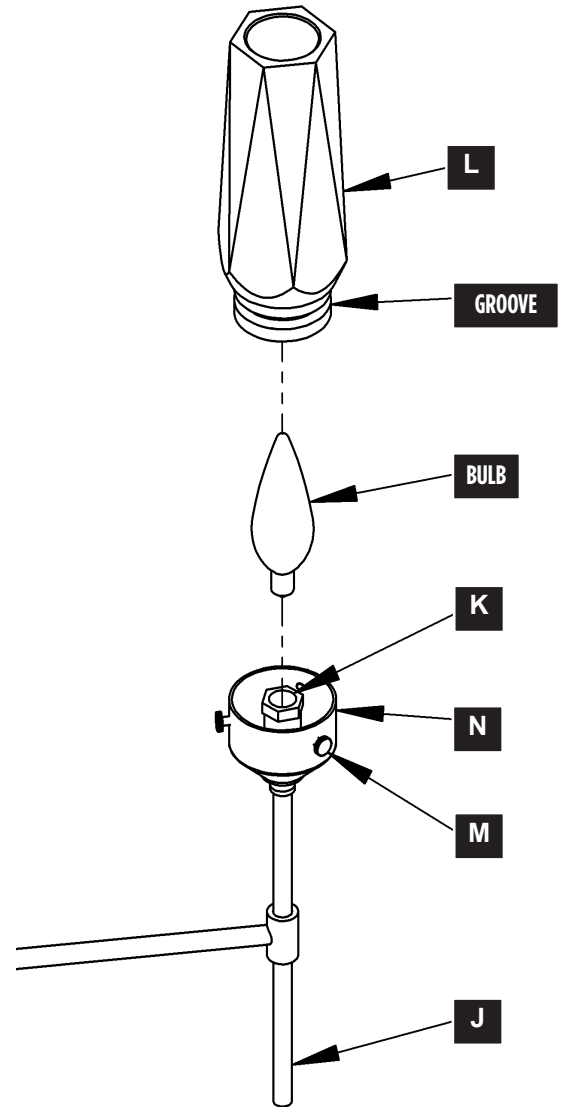
1. Using provided white gloves, unpack crystal (L).
2. Install B type bulb (not included) into socket (K) .
3. Place crystal (L) over the bulb and insert into socket cup (N).

Note: It may be necessary to loosen thumb screws to allow crystal to slide into cup. They will not need to be removed completely.

4. Align groove in crystal (L) with thumb screws (M) and tighten thumb screws evenly to secure crystal.

Note: Be careful not to overtighten screws as it could break crystal.

5. Repeat for remaining crystals.
6. If necessary, polish crystals with white gloves.
7. Restore electricity at main breaker



(Figure 2)

If you need further assistance, or find that you are missing any parts, please contact the dealer from which you purchased this product. We hope you enjoy your fixture!

*** Hubbardton Forge will not be liable for injury or damage caused by improper installation, lamping or use of this fixture.**

HF HUBBARDTON FORGE.

MODERN AMERICAN BLACKSMITHS | FINE, HAND CRAFTED LIGHTING
CASTLETON, VERMONT USA | HUBBARDTONFORGE.COM

42376 Rev A