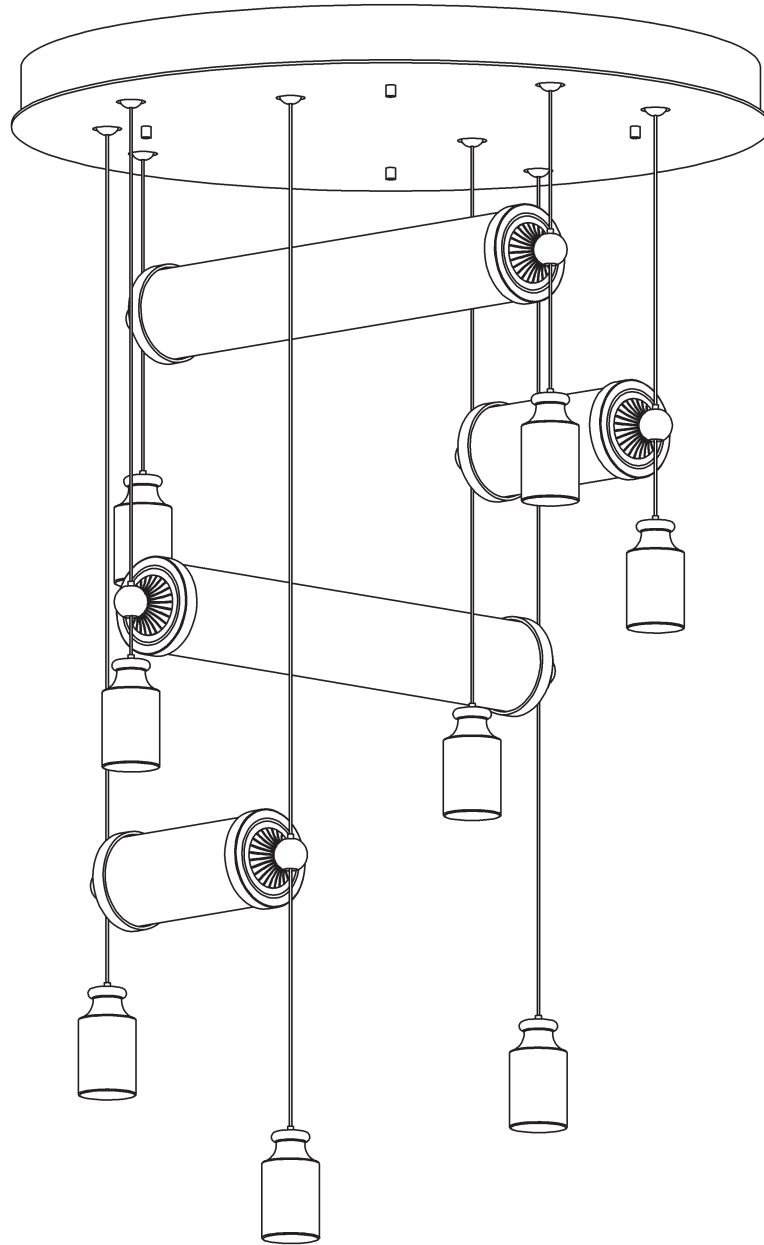


ASSEMBLY & INSTALLATION INSTRUCTIONS

A669

Libra Round Multi Light Semi - 129100



Component Parts

- A Canopy**
- B Cover Plate**
- C Knob (4)**
- D Anchor (8)**
- E #10 Screws (8)**
- F Ground Terminal**
- G Driver**
- H Safety Cable**
- I Safety Cable Nut**
- J Cables (8)**
- K Threaded Studs (4)**
- L Glass Large (2)**
- M Glass Small (2)**
- N Glass Gripper (8)**
- O Weight (8)**
- P Weight Gripper (8)**



Libra Round Multi Light Semi - 129100

CAUTION: FAILURE TO INSTALL THIS FIXTURE PROPERLY MAY RESULT IN SERIOUS PERSONAL INJURY OR DEATH AND PROPERTY DAMAGE. We recommend installation by a licensed electrician. This product must be installed in accordance with applicable installation code(s), by a person familiar with the construction and operation of the product and the hazards involved.*

Install Canopy (Figure 1 - on following page)

1. Carefully unpack the fixture from the carton.
2. Remove knobs (C) and separate cover plate (B) from canopy (A). Set aside for later use.
3. Center the canopy (A) over the electrical box. Be sure to line up oval slots in bracket with mounting holes in electrical box. With a pencil, mark the location of all mounting holes in the canopy (A) on the ceiling.

NOTE: Be aware of canopy and fixture orientation before drilling holes to mounting canopy.

4. Put the canopy (A) down and drill 1/4" holes in the locations marked on the ceiling. Place the tapered end of the anchors (D) into the holes and gently tap them flush to the ceiling using a light weight hammer.
5. Thread the wires from the electrical box through the center hole in the canopy (A) while moving into position.
6. Using two machine screws (not provided), fasten the canopy (A) to the electric box using oval slots in center.
Note: Most electric boxes comes with screws. When replacing a fixture, retain the existing screws for use with the new fixture.
7. Using the #10 screws (E), screw the canopy (A) securely to the ceiling. Be careful not to over-tighten or strip the anchors (D).
8. Slide cables (I) through appropriate holes in cover plate (B). Holding cover plate (B) close to ceiling, connect safety cable (H) using safety cable nut (I). Safety cable (H) will hold cover plate (B) while wiring connections are made.

Note: Safety cable nut (I) is shipped installed on canopy.

9. Using suitable wire connectors (not provided) connect driver (H) wires to supply wires (white to white and black to black). Connect all ground wires (bare copper or green to bare copper or green) together including ground terminal (F) from canopy (A).

Caution: Be sure wire connectors are twisted on securely, and no bare wire is exposed.

10. Slip cover plate (B) over threaded studs (K). Secure with knobs (C). Be sure threaded studs are fully seated in knobs (C).

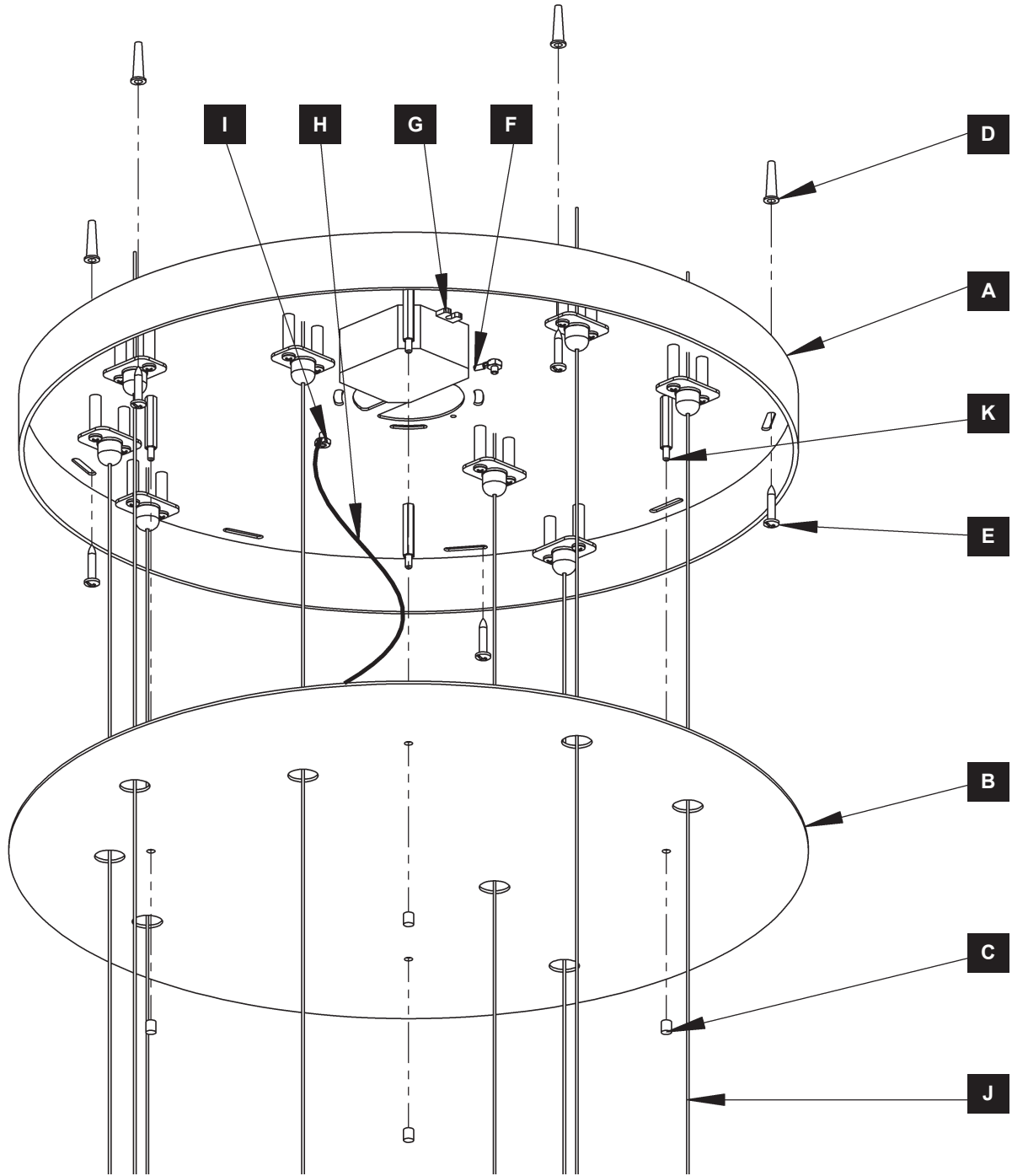
Caution: Be sure no wires are pinched between the cover plate (B) and the canopy (A).

11. Complete steps on following pages to install glass and complete installation.

ASSEMBLY & INSTALLATION INSTRUCTIONS

A669

Libra Round Multi Light Semi - 129100



(Figure 1)



HUBBARDTON FORGE.

MODERN AMERICAN BLACKSMITHS | FINE, HAND CRAFTED LIGHTING
CASTLETON, VERMONT USA | HUBBARDTONFORGE.COM

46881

Libra Round Multi Light Semi - 129100

Install Glass & Weights *(Figure 2)*

1. Careful unpack both sizes of glass assemblies (L & M).
2. Glass grippers (N) are marked Red on the bottom for (+).
3. The canopy (A) is marked over the cables (I) with (+) and (-) labels. Red glass grippers (N) will always be on a (+) cable and the other side always on a (-) cable.
4. Slide glass (L & M), plunger end first, up appropriate cables (I). Repeat with remaining glass (L & M) and locate in desired orientation. See page 1 for Design Preference.

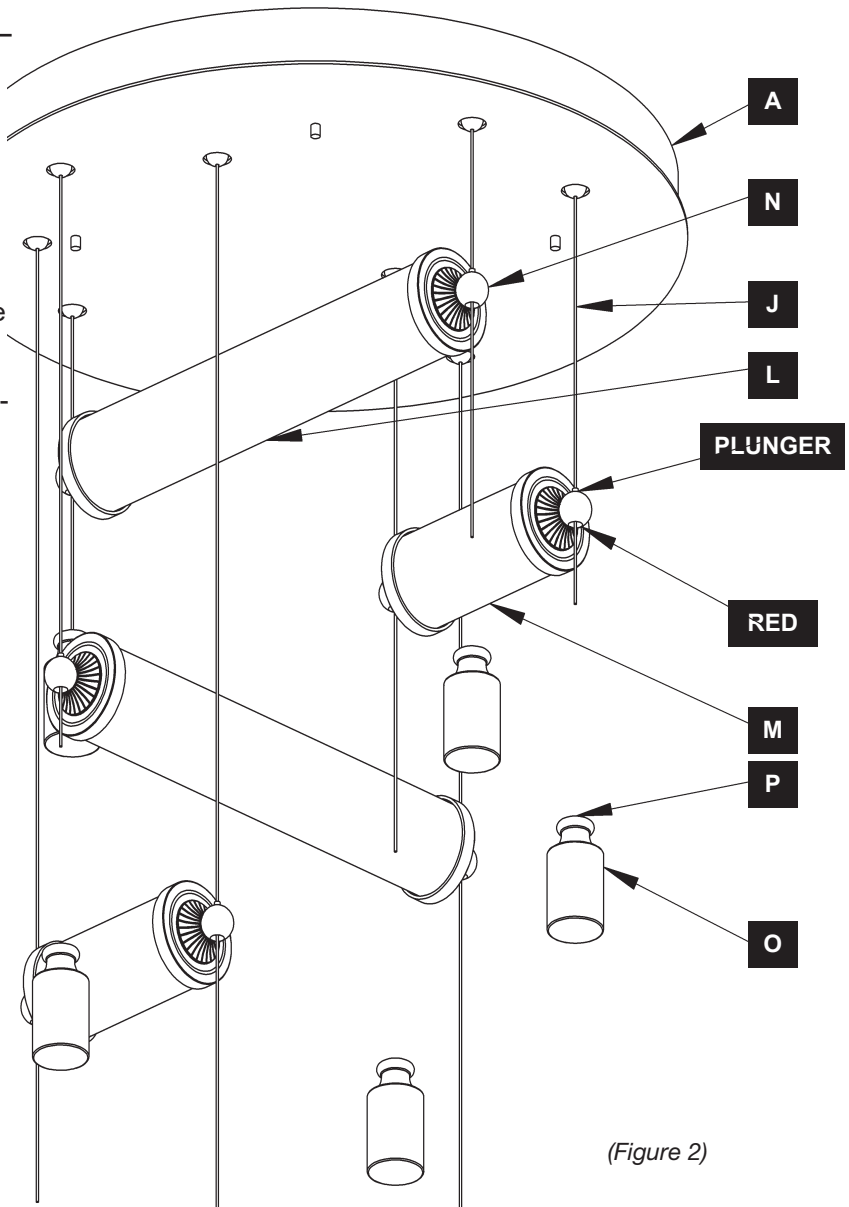
Note: Be sure Red glass grippers are on a (+) cable.

Note: See Figure 3 - bottom view to aid in glass layout/orientation.

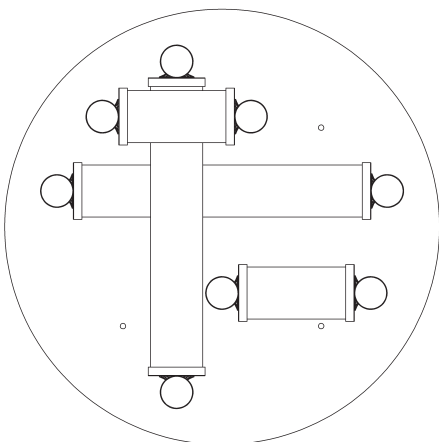
5. If glass (L & M) needs to be lowered, push in on the plunger to release cable, hold in, and move glass to desired location.
6. Cut cables (I) to desired heights.
7. Install weights (O) onto ends of cable (I) by pushing plunger end of weight gripper (P) onto cable (I).

Caution: Be sure weights (O) don't hit side of glass (L & M) as this could break the glass.

8. Repeat for remaining weights (O).
9. Restore electricity at main breaker.



(Figure 2)



(Figure 3)

ASSEMBLY & INSTALLATION INSTRUCTIONS

A669

Libra Round Multi Light Semi - 129100

IMPORTANT NOTES:

- LED glass modules are factory assembled. Do NOT attempt to disassemble Glass Ball Module (L & M).
- Additional Glass Balls (L & M) can be ordered individually. Contact the dealer from which you purchased this product for more information.
- Due to electrical components included with this fixture, only certain combinations of additional glass ball modules can be added. Please carefully review the chart below before ordering additional modules.
- If more than the allowed glass ball modules are desired, please contact dealer about a custom fixture.

Additional Globes

Small	Large
1-6	0
0-4	1
0-2	2
0	3

If you need further assistance, or find that you are missing any parts, please contact the dealer from which you purchased this product. We hope you enjoy your fixture!

**** Hubbardton Forge will not be liable for injury or damage caused by improper installation, lamping or use of this fixture.***