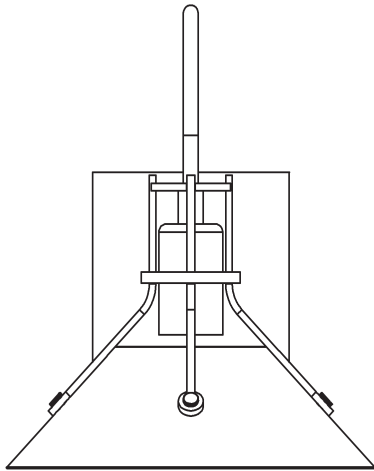


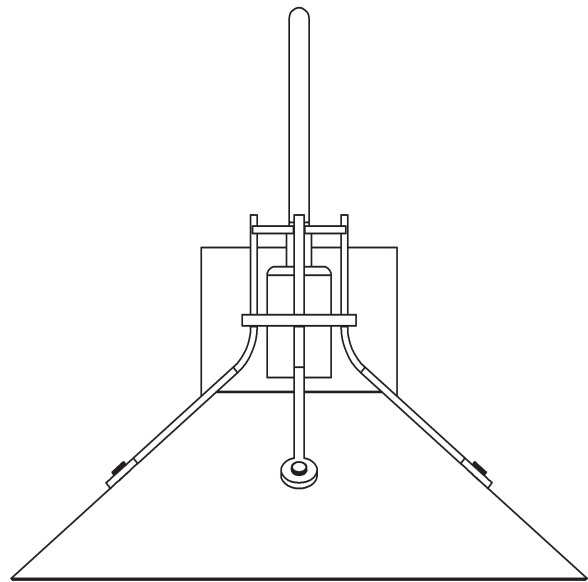
ASSEMBLY & INSTALLATION INSTRUCTIONS

B425

Henry Sconce W/ Glass Shade 302709 & 302714



302709
(Shown in instructions)



302714



HUBBARDTON FORGE.

MODERN AMERICAN BLACKSMITHS | FINE, HAND CRAFTED LIGHTING
CASTLETON, VERMONT USA | HUBBARDTONFORGE.COM

Component Parts

- A Fixture**
- B Glass shade**
- C Thumb Screw (4)**
- D Barrel Nut (4)**
- E Crossbar**
- F Threaded Studs (2)**
- G Ground Screw**
- H Knurled Balls (2)**
- I Gasket**
- J Caulking Lip**
- K Bulb (Not Included)**



ASSEMBLY & INSTALLATION INSTRUCTIONS

B425

Henry Sconce W/ Glass Shade 302709 & 302714

CAUTION: FAILURE TO INSTALL THIS FIXTURE PROPERLY MAY RESULT IN SERIOUS PERSONAL INJURY OR DEATH AND PROPERTY DAMAGE. We recommend installation by a licensed electrician. This product must be installed in accordance with applicable installation code(s), by a person familiar with the construction and operation of the product and the hazards involved.*

Caution: Do not exceed maximum wattage noted on fixture. Use only recommended bulbs with fixture.

Please Note: After installation extra hardware and accessories are possible; our kits are used on multiple products.

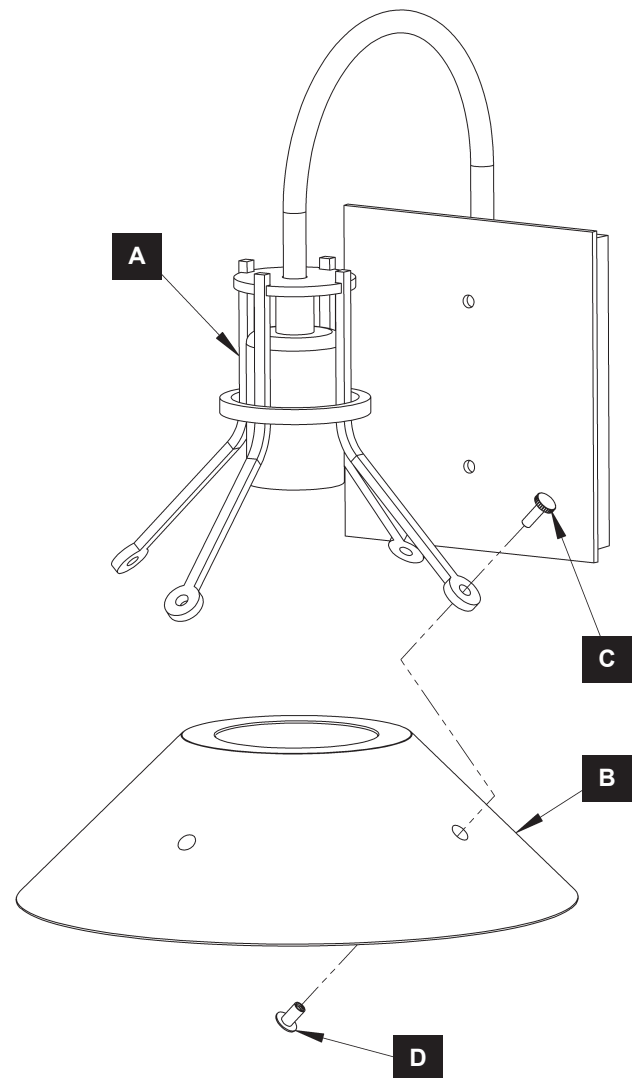
To Attach Glass Shade (Figure 1)

CAUTION: BE SURE POWER IS OFF AT THE MAIN BREAKER BOX PRIOR TO INSTALLATION.

1. Carefully unpack the fixture (A) and glass shade (B) from the carton.
2. Unscrew thumb screw (C) and barrel nut (D) from fixture (A). Repeat for all thumb screws.
3. Carefully place fixture (A) onto glass shade (B) and line up holes.
4. Insert barrel nut (D) under glass shade (B) and thread thumb screw (C) from top side of fixture.

Note: Do not completely tighten until all four thumb screws (C) and barrel nuts (D) are in place.

5. Repeat step 4 in a criss-cross pattern until all thumb screws (B) and barrel nuts (D) are in place.
6. Hand tighten the thumb screws (C) to secure glass shade (B) to fixture (A).
7. Follow steps on next page to complete installation.



(Figure 1)

Henry Sconce W/ Glass Shade 302709 & 302714

To Attach to Wall (Figures 2,3)

1. Thread studs (F) into the appropriate holes in the crossbar (E) to match the holes in the fixture (A).
2. Thread wires in electrical box through center hole in the crossbar (E) while moving crossbar into position. Using (2) #8 machine screws (not provided), attach crossbar (E) securely to the junction box.

Note: A new electric box comes with screws. When replacing an existing fixture, retain screws for use with the new fixture

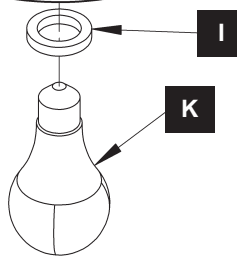
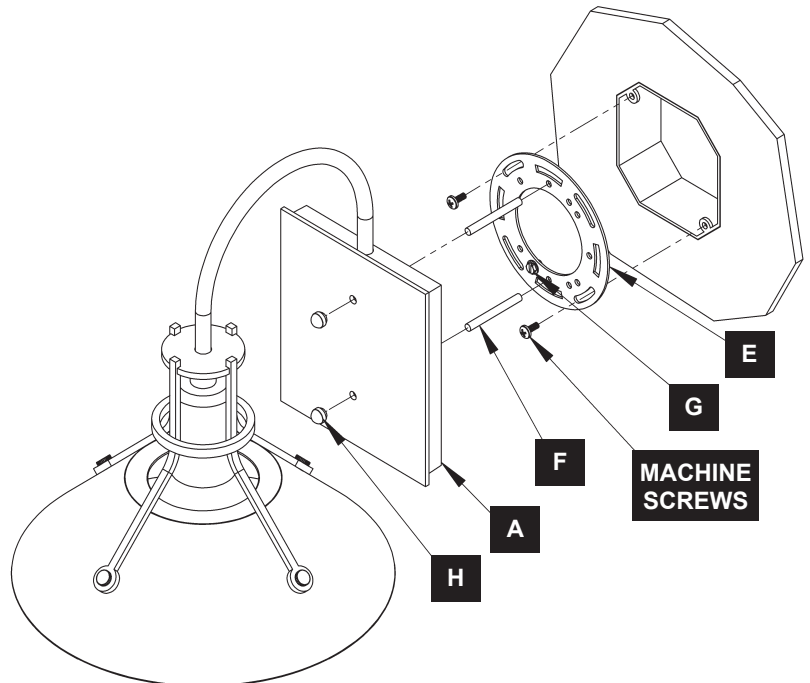
3. Secure a pigtail lead to crossbar (E) using green ground screw (G).
4. Hold the fixture (A) close to the crossbar (E).
5. Using suitable wire connectors (not provided) connect fixture wires to supply wires (white to white, or ribbed and black to black, or smooth). Connect all ground wires (bare copper or green to bare copper or green).

CAUTION: MAKE SURE WIRE CONNECTORS ARE TWISTED ON SECURELY AND NO BARE WIRES ARE EXPOSED.

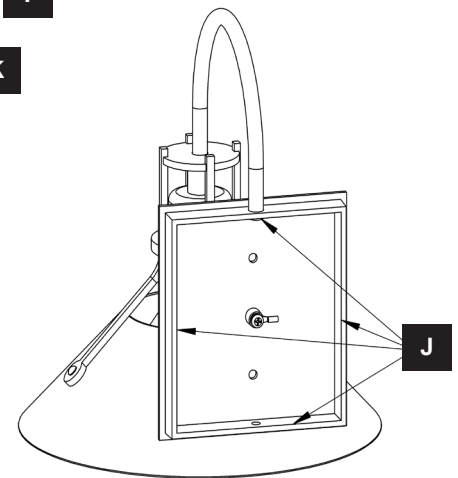
6. Carefully tuck all wires behind the fixture (A) and inside the crossbar (E).
7. Apply a generous bead of a suitable caulking material (not provided) to caulking lip (J) on the fixture (Figure 3).
8. Align holes in fixture (A) with threaded studs (F). Thread a knurled ball (H) onto each threaded stud (F) and hand tighten to secure fixture (A) to wall.

Note: Be sure threaded studs (F) are fully seated in the knurled balls (H)

9. Install gasket (I) around top of bulb (K).
10. Screw bulb (K) (not included) into socket and press gasket (I) up to touch fixture (A).
11. Restore electricity at main breaker.



(Figure 2)



(Figure 3)

If you need further assistance, or find that you are missing any parts, please contact the dealer from which you purchased this product. We hope you enjoy your fixture!

*** Hubbardton Forge will not be liable for injury or damage caused by improper installation, lamping or use of this fixture.**