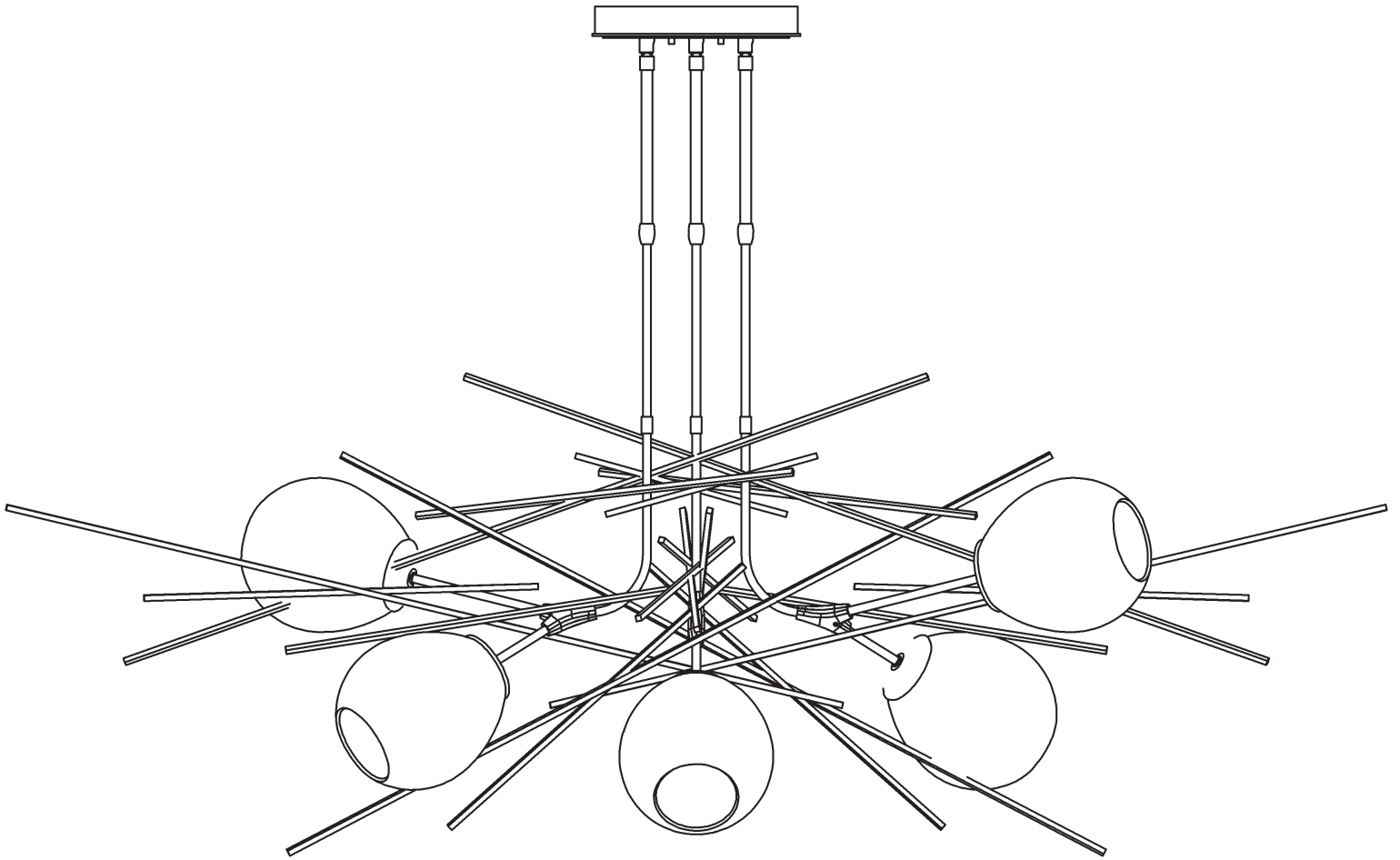


ASSEMBLY & INSTALLATION INSTRUCTIONS

137750 Griffin Pendant

A546



Component Parts

- A Fixture**
- B Fixture Pipe (3)**
- C Fixture Coupling (3)**
- D Mounting Bracket**
- E Plastic Sleeve (3)**
- F Set Screw (3)**
- G Canopy Pipe (3)**
- H Clutch (3)**
- I Swivel (3)**
- J Canopy Plate**
- K Studs (2)**
- L Canopy**
- M Barrel Nuts (2)**
- N Nuts (4)**
- O Retaining ring & cover (6)**
- P Cupped Washer**
- Q Ground Screw**
- R Wire Connector (3)**
- S Glass (6)**
- T White Washer (6)**



ASSEMBLY & INSTALLATION INSTRUCTIONS

137750 Griffin Pendant

A546

CAUTION: FAILURE TO INSTALL THIS FIXTURE PROPERLY MAY RESULT IN SERIOUS PERSONAL INJURY OR DEATH AND PROPERTY DAMAGE. We recommend installation by a licensed electrician. This product must be installed in accordance with applicable installation code(s), by a person familiar with the construction and operation of the product and the hazards involved.*

Caution: Do not exceed maximum wattage noted on fixture. Use only recommended bulbs with fixture.

Please Note: After installation extra hardware and accessories are possible; our kits are used on multiple products.

To Unbox Fixture *(Figure 1, following page)*

CAUTION: THE INSTALLATION OF THIS FIXTURE REQUIRES TWO PEOPLE

1. The fixture (A) will be shipped in a crate.
2. Remove cardboard from the outside of the crate.
3. The fixture is shipped with two shipping hangers installed in it. The shipping hangers are sandwiched between two wood boards.
4. While supporting fixture carefully remove the four screws that are holding the board. Remove the board.

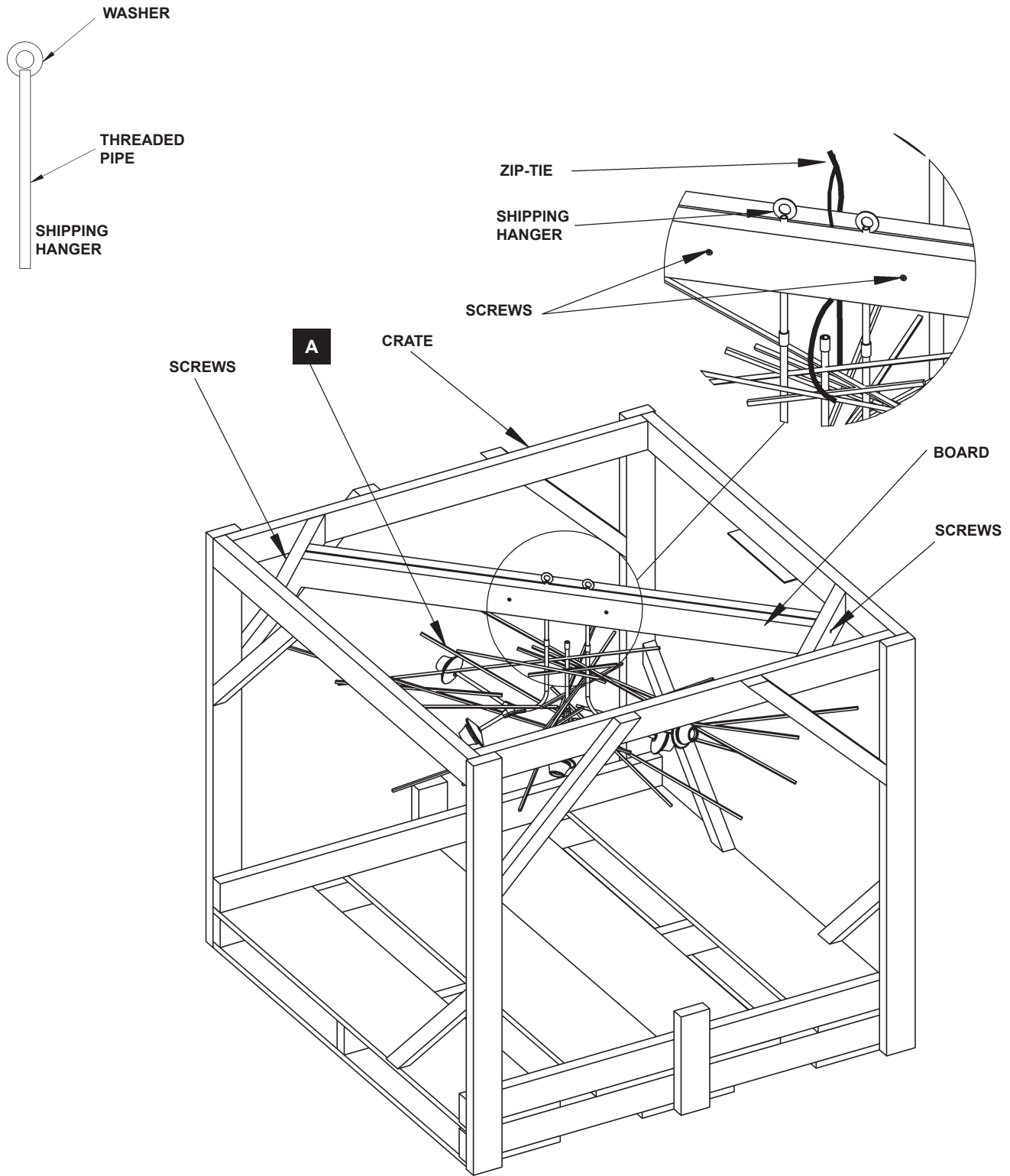
CAUTION: REMOVING THE SCREWS AND BOARD WILL ALLOW THE FIXTURE TO DROP, BE SURE TO SECURE FIXTURE WHILE REMOVING THE SCREWS AND BOARD.

5. Carefully lower the fixture until it is supported by the zip-tie.
6. Unscrew shipping hangers from the fixture.
7. Assembly of the fixture will take place while it is suspended inside the crate by zip-tie.

ASSEMBLY & INSTALLATION INSTRUCTIONS

137750 Griffin Pendant

A546



(Figure 1)



HUBBARDTON FORGE.

MODERN AMERICAN BLACKSMITHS | FINE, HAND CRAFTED LIGHTING
CASTLETON, VERMONT USA | HUBBARDTONFORGE.COM

CONTINUED

ASSEMBLY & INSTALLATION INSTRUCTIONS

137750 Griffin Pendant

A546

To Assemble and install Fixture (Figures 2, 3 & 4, following page)

CAUTION: BE SURE POWER IS OFF AT THE MAIN BREAKER BOX PRIOR TO INSTALLATION.

1. Locate fixture pipe (B) and slip the end of the pipe with the shorter threads over wires.
2. Apply a drop of the supplied thread locking compound to the internal threads of the fixture coupling (C) and screw fixture pipe (B) into fixture coupling, being careful not to twist the wires. Repeat for remaining fixture pipes.
Note: Application of the thread locking compound is necessary to prevent the stem from loosening during regular maintenance and cleaning of the fixture. Be certain to apply the compound.
3. Slide wires through holes in canopy plate (J) and lower the canopy plate so that it rests on the fixture (A).
4. Slide the wires from the fixture pipes (B) through the canopy pipes (G), swivels (I) and mounting bracket (D).
5. Unscrew the clutch (H) from canopy pipe (G); slide it across the wires and onto the fixture pipe (B). Follow this with the plastic sleeve (E), oriented so the tapered end nests in the clutch (H) (Figure 2). It may be necessary to loosen the set screw (F) in the clutch.
6. Slide the canopy pipes (G) over the fixture pipes (B) as far as necessary to give you the total desired height of the fixture. Be careful not to scratch the pipe surface and to pull excess wire up through the canopy pipe. There must be a minimum 1-1/2" of inner pipe inside the outer pipe.
7. Tighten the set screws (F) in clutches (H) firmly with hex wrench provided.
8. Locate the canopy (L). Attach canopy to mounting bracket (D) using 4 nuts (N). Nuts (N) are shipped attached to canopy (L).
9. Thread the two studs (K) into the mounting bracket (D).
10. While supporting the fixture (A) carefully cut the zip-tie.
11. Raise fixture (A) and canopy (L) assembly up to the ceiling.
12. Using two machine screws (not provided), fasten the canopy (L) to the electric box.
Note: A new electric box comes with screws. When replacing a fixture, retain the existing screws for use with the new fixture.
13. Verify that the overall height of the fixture is what is desired.
14. Using the three wire connectors (R) provided, connect four black fixture wires to one connector, four white fixture wires to one connector and four ground wires to the last connector. Black and white wires should be stripped 3/8" maximum. In the remaining connection of the wire connectors (R) run a black pig tail lead, white pig tail lead and ground pig tail lead to the junction box (Figure 4).
15. Using suitable wire connectors (not provided) connect fixture wires to the supply wire (white to white and black to black). Attach a pigtail lead to the canopy (A) using the cupped washer (P) and ground screw (R) found in kit bag. Connect all ground wires together.

CAUTION: MAKE SURE WIRE CONNECTORS ARE TWISTED ON SECURELY, AND NO BARE WIRE IS EXPOSED.

16. Raise the canopy plate (J) up to the canopy (L) and secure with barrel nuts (M). Be sure threaded studs (K) are fully seated in barrel nuts.



HUBBARDTON FORGE.

MODERN AMERICAN BLACKSMITHS | FINE, HAND CRAFTED LIGHTING
CASTLETON, VERMONT USA | HUBBARDTONFORGE.COM

CONTINUED

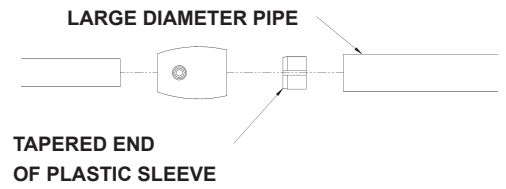
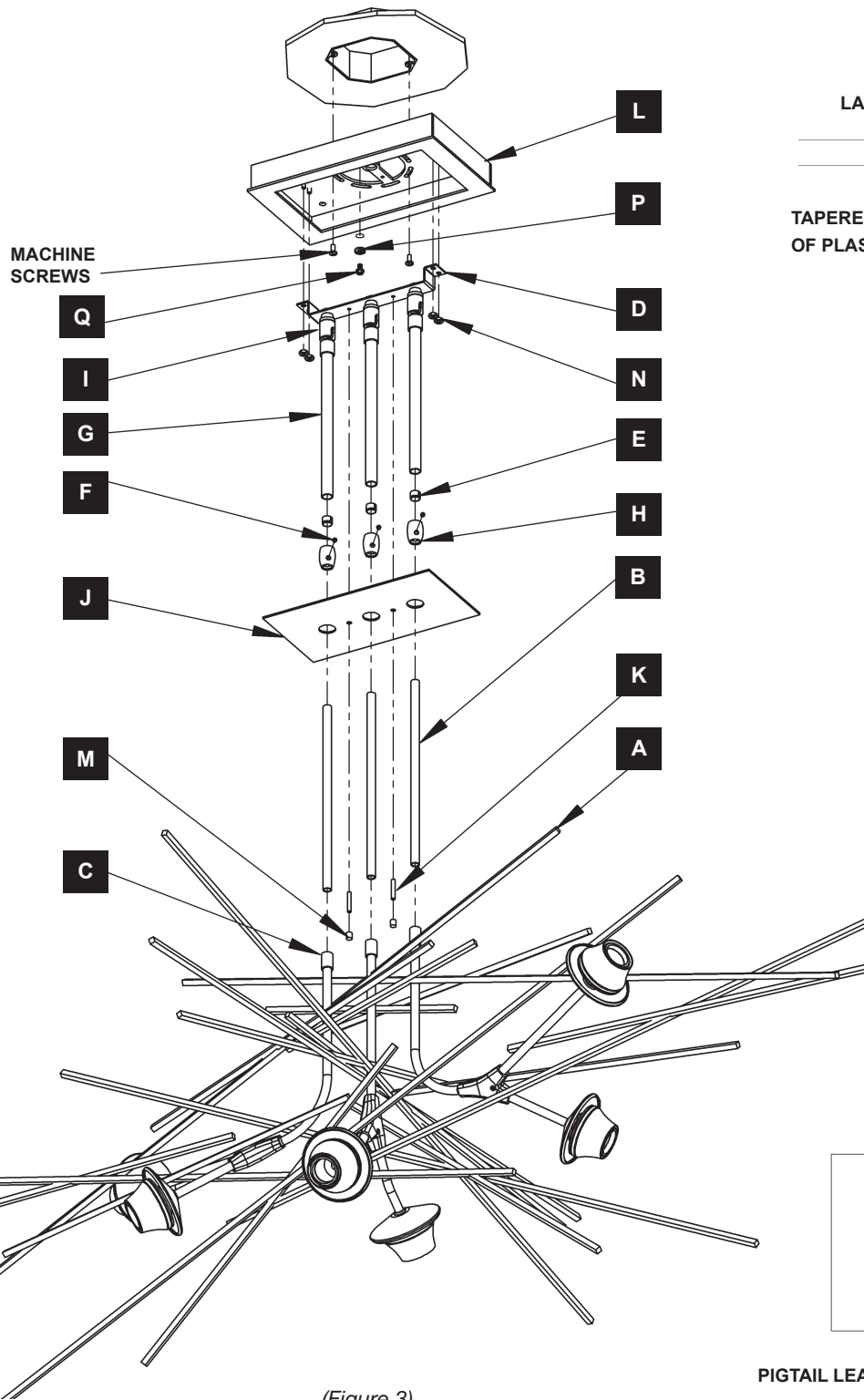
40455

5 OF 7

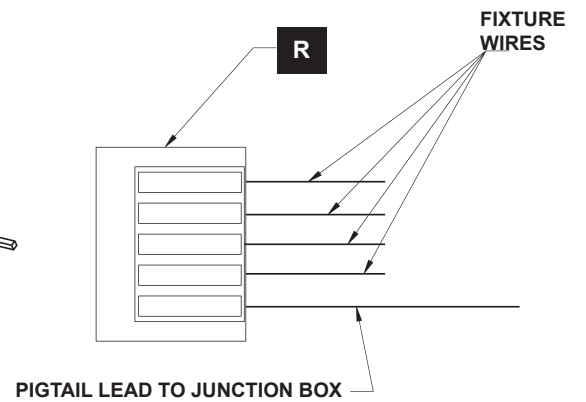
ASSEMBLY & INSTALLATION INSTRUCTIONS

137750 Griffin Pendant

A546



(Figure 2)



(Figure 4)



HUBBARDTON FORGE.

MODERN AMERICAN BLACKSMITHS | FINE, HAND CRAFTED LIGHTING
CASTLETON, VERMONT USA | HUBBARDTONFORGE.COM

CONTINUED

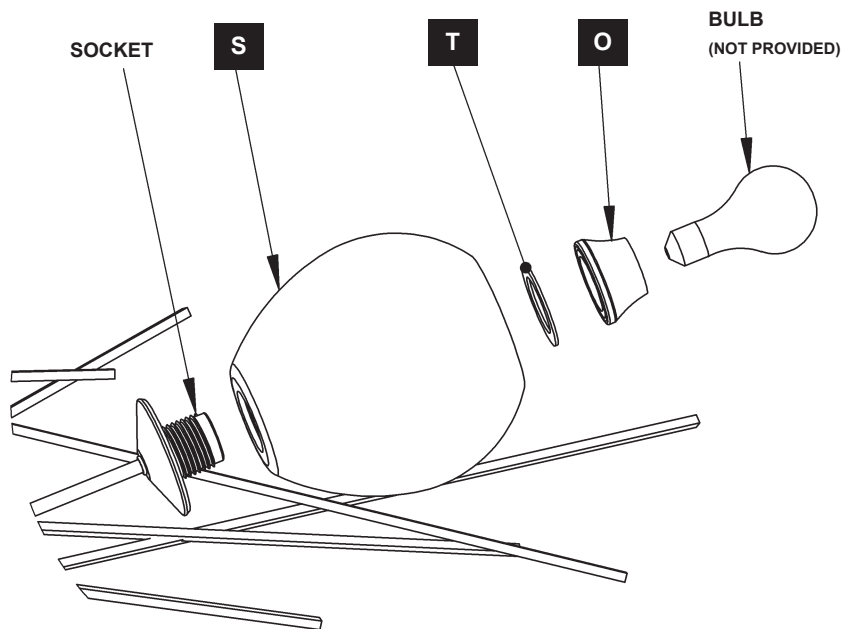
ASSEMBLY & INSTALLATION INSTRUCTIONS

137750 Griffin Pendant

A546

To Install Glass (Figure 5)

1. Locate Retaining rings and covers (O). Retaining rings and covers (O) are shipped in the kit bag.
2. Slide glass (S) over socket. Slip white washer (T) over socket and thread on retaining ring and cover (O).
3. Install bulb (not provided) into socket. Repeat for remaining sockets and glass.
4. Restore electricity at main breaker.



(Figure 5)

If you need further assistance, or find that you are missing any parts, please contact the dealer from which you purchased this product. We hope you enjoy your fixture!

*** Hubbardton Forge will not be liable for injury or damage caused by improper installation, lamping or use of this fixture.**