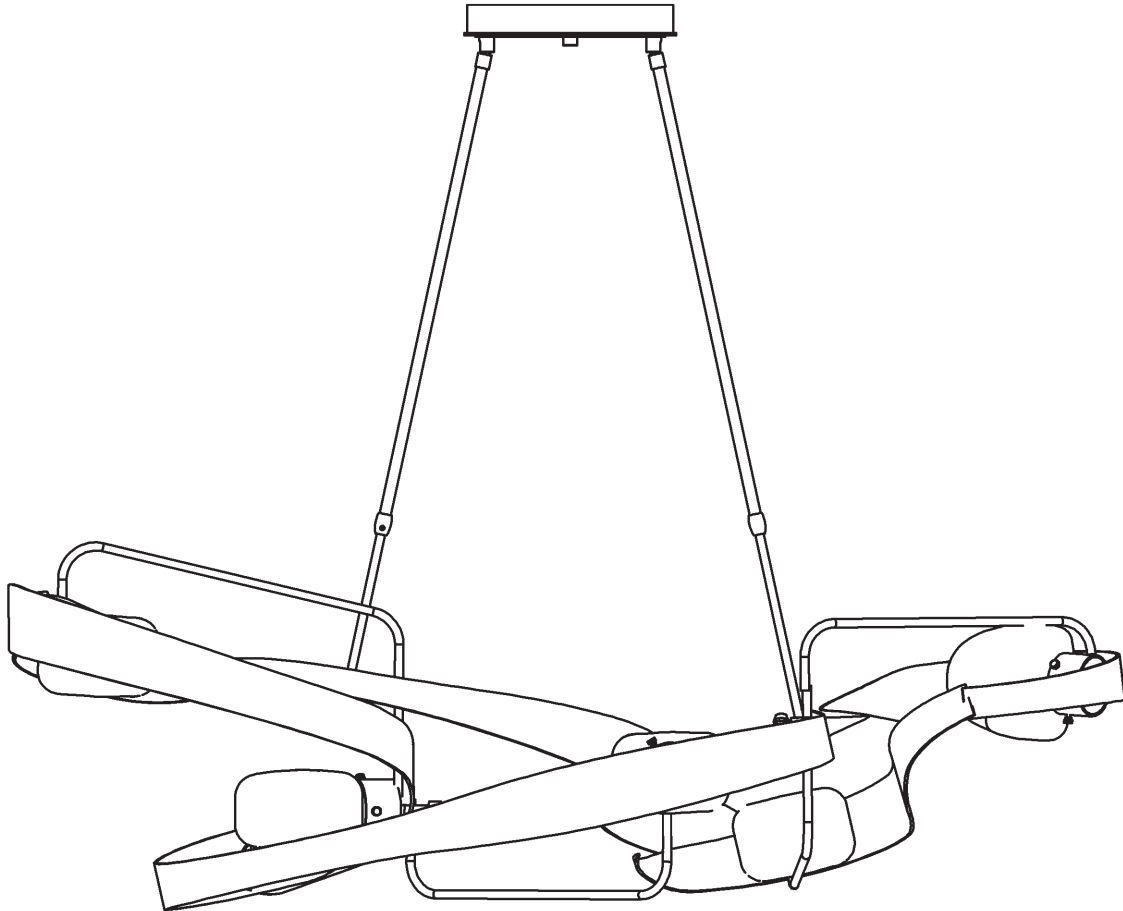


ASSEMBLY & INSTALLATION INSTRUCTIONS

A542

137820 Graffiti Pendant



Component Parts

- A** **Fixture**
- B** **Cap**
- C** **Cover plate**
- D** **Fixture Pipe (2)**
- E** **Canopy pipe (2)**
- F** **Set Screw (2)**
- G** **Canopy**
- H** **Clutch (2)**
- I** **Plastic sleeve (2)**
- K** **Lag Screws (4)**
- L** **Cupped washer**
- M** **Ground Screw**
- N** **Glass (5)**
- O** **Thumb Screw (15)**



ASSEMBLY & INSTALLATION INSTRUCTIONS

A542

137820 Graffiti Pendant

CAUTION: FAILURE TO INSTALL THIS FIXTURE PROPERLY MAY RESULT IN SERIOUS PERSONAL INJURY OR DEATH AND PROPERTY DAMAGE. We recommend installation by a licensed electrician. This product must be installed in accordance with applicable installation code(s), by a person familiar with the construction and operation of the product and the hazards involved.*

Caution: Do not exceed maximum wattage noted on fixture. Use only recommended bulbs with fixture.

Please Note: After installation extra hardware and accessories are possible; our kits are used on multiple products.

To Assemble and Install Fixture (Figures 1, 2, 3 & 4)

CAUTION: BE SURE POWER IS OFF AT THE MAIN BREAKER BOX PRIOR TO INSTALLATION.

1. Carefully unpack the fixture (A) from the carton.
2. Remove cap (B) and cover plate (C) from canopy (G). Set aside for use later.
3. The fixture pipes are two different lengths. Once installed in the fixture the pipes should be approximately the same height. Be sure the longer pipe is installed in the lower fixture coupling and the shorter pipe is installed on the upper fixture coupling.
4. Thread wires from fixture coupling on fixture (A) through the fixture pipe (D), the end with 1/4" of thread first.
5. Thread wires through canopy pipe (E) and swivel on canopy (G). Make sure the end of the canopy pipe (E) without the coupling goes on first. Do not thread pipes together until wires have been threaded through pipes and swivels.
6. Apply a drop of the supplied thread locking compound to the internal threads of the fixture coupling on the fixture (A) and screw fixture pipe (D) into fixture coupling on fixture, being careful not to twist the wires.
Note: Application of the thread locking compound is necessary to prevent the stem from loosening during regular maintenance and cleaning of the fixture. Be certain to apply the compound.
7. Unscrew the clutch (H) from canopy pipe (E); slide it across the wires and onto the fixture pipe (D). Follow this with the plastic sleeve (I), oriented so the tapered end nests in the clutch (H) (Figure 3). It may be necessary to loosen the set screw (J) in the clutch.
8. Screw the canopy pipe (E) coupling onto the swivel in the canopy (G). Make sure the notches in the swivels are pointed outwards. (Figure 1) Alternate Mounting: If attaching the fixture to a sloped ceiling make sure the notches in the swivel are pointing towards the down part of the slope. (Figure 1A)
9. Repeat steps 3-7 for second set of fixture pipe (D) and canopy pipe (E).
10. Slide the canopy pipes (E) over the fixture pipes (D) as far as necessary to give you the total height of the fixture which you desire. Be careful not to scratch the pipe surfaces and to pull excess wire up through the canopy pipes and swivels on canopy (G). There must be a minimum 1-1/2" of inner pipe inside the outer pipe.
11. Thread clutches (H) on to canopy pipes (E) and tighten the set screws (F) in clutches firmly with hex wrench provided.
12. Two pieces of foam insulation have been provided to slide over the canopy and fixture pipes. Using the foam insulation will help prevent the pipes from hitting against the fixture during installation and becoming damaged.
13. Raise fixture up to electric box threading supply wires through center hole in canopy (G). Using two machine screws (not provided), fasten the canopy (G) to the electric box.

ASSEMBLY & INSTALLATION INSTRUCTIONS

A542

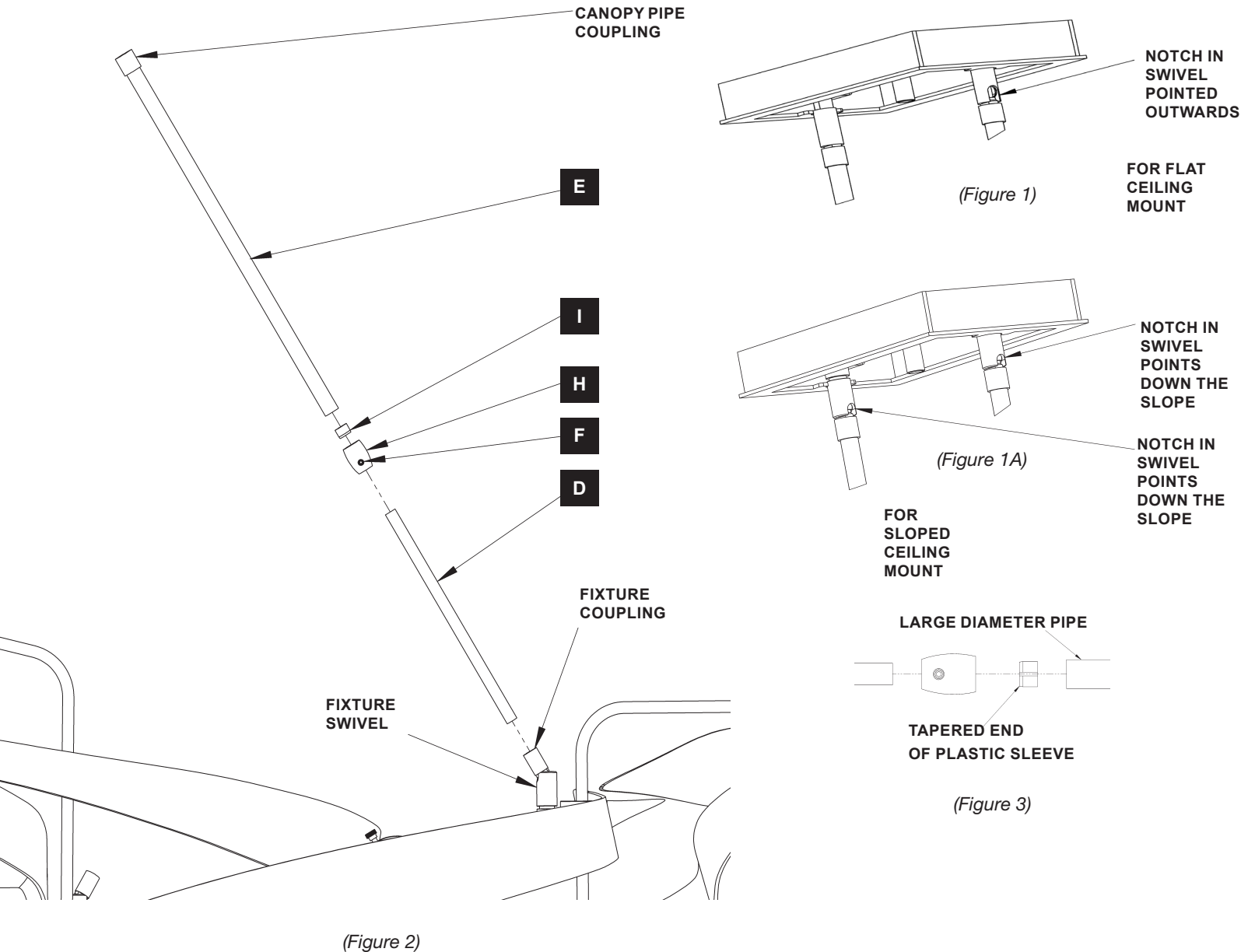
137820 Graffiti Pendant

Note: A new electric box comes with screws. When replacing a fixture, retain the existing screws for use with the new fixture.

Alternate Mounting Option - Using four lag screws (K) attach canopy (G) to a structural member in the ceiling, centering the canopy (G) over the outlet box. Lag screws are supplied with the fixture; however, different materials and/or construction methods may require different fasteners. If in doubt, contact a qualified electrician.

CAUTION: MAKE SURE WIRE CONNECTORS ARE TWISTED ON SECURELY, AND NO BARE WIRE IS EXPOSED.

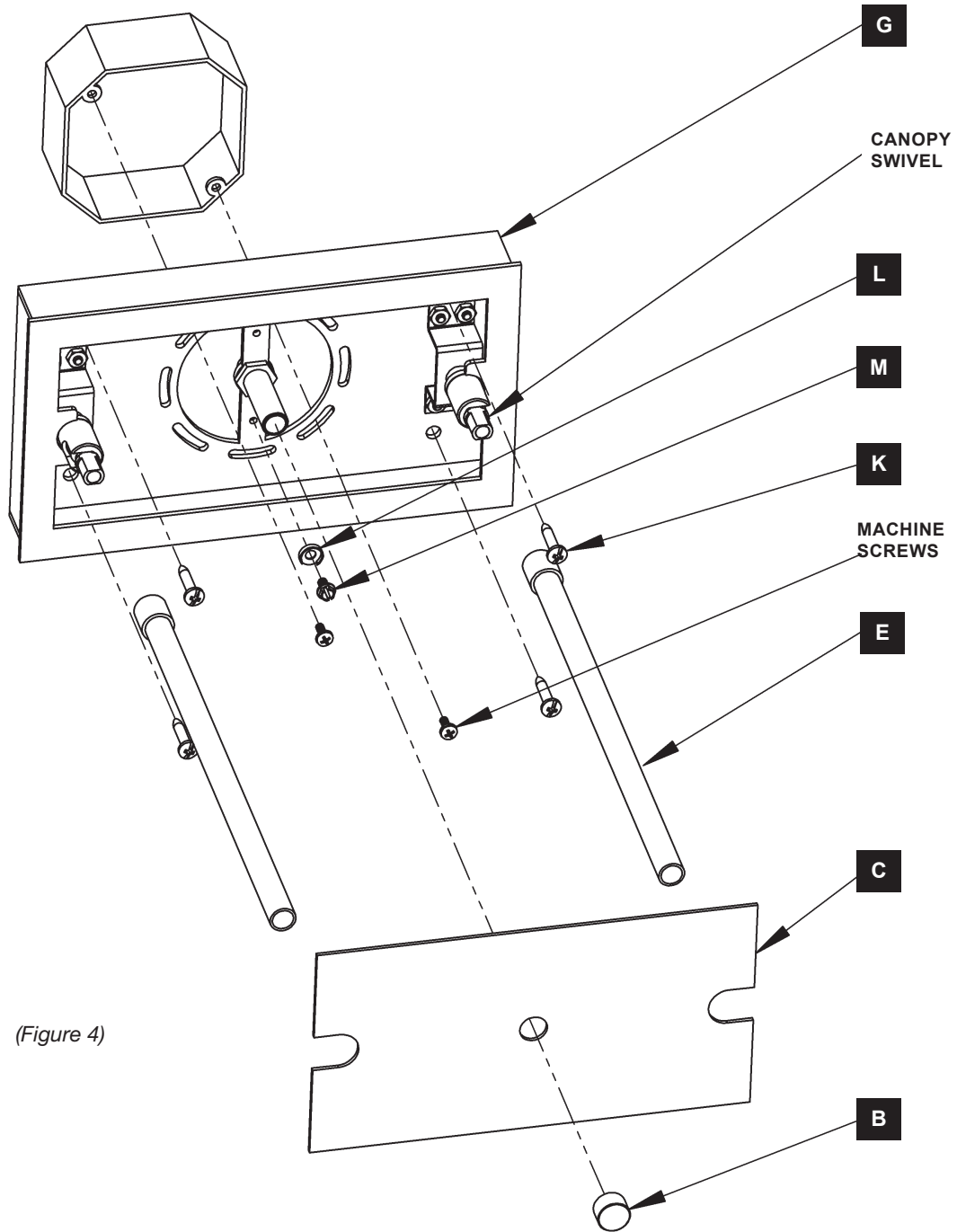
- Using suitable wire connectors (not provided) connect fixture wires to the supply wire (white to white and black to black). Attach a pigtail lead to the canopy using the cupped washer (L) and ground screw (M) found in kit bag. Connect all ground wires together.
- Re-install cover plate (C) that was removed in step 1 onto canopy (G) and secure with cap (B).



ASSEMBLY & INSTALLATION INSTRUCTIONS

A542

137820 Graffiti Pendant



(Figure 4)



HUBBARDTON FORGE.

MODERN AMERICAN BLACKSMITHS | FINE, HAND CRAFTED LIGHTING
CASTLETON, VERMONT USA | HUBBARDTONFORGE.COM

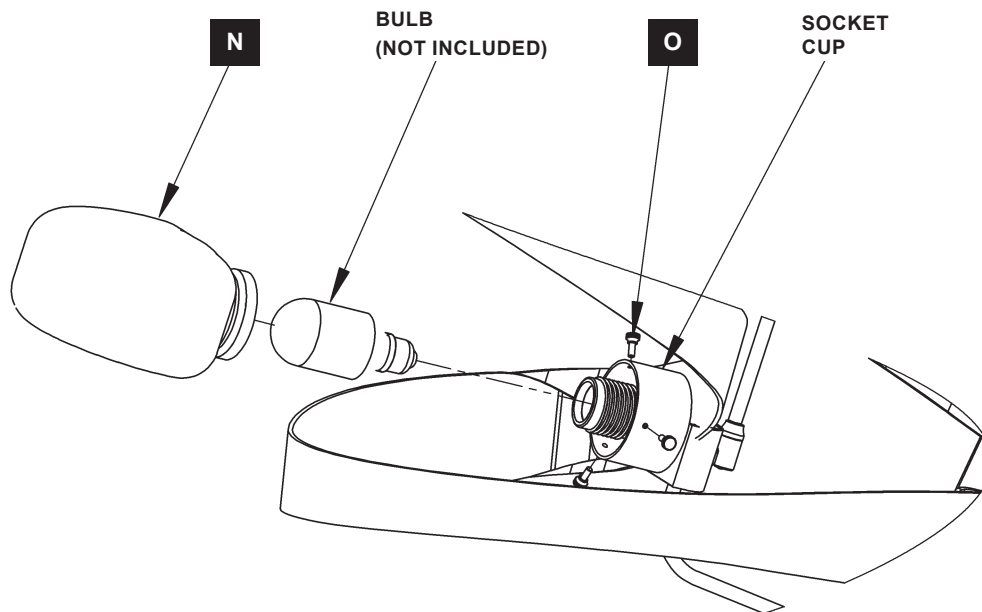
CONTINUED

40453 Rev B

5 OF 6

To Install Glass *(Figure 5)*

1. Install bulbs (not included)
2. Loosen thumbscrews (O) in socket cup. Slide glass (N) over bulb until groove in glass aligns with the thumbscrews. It is not necessary to completely remove the thumbscrews.
3. Tighten thumbscrews (O) to secure glass (N). Be careful to not overtighten the thumbscrews.
4. Repeat for remaining pieces of glass (N).
5. Restore electricity at main breaker.



(Figure 5)

If you need further assistance, or find that you are missing any parts, please contact the dealer from which you purchased this product. We hope you enjoy your fixture!

*** Hubbardton Forge will not be liable for injury or damage caused by improper installation, lamping or use of this fixture.**