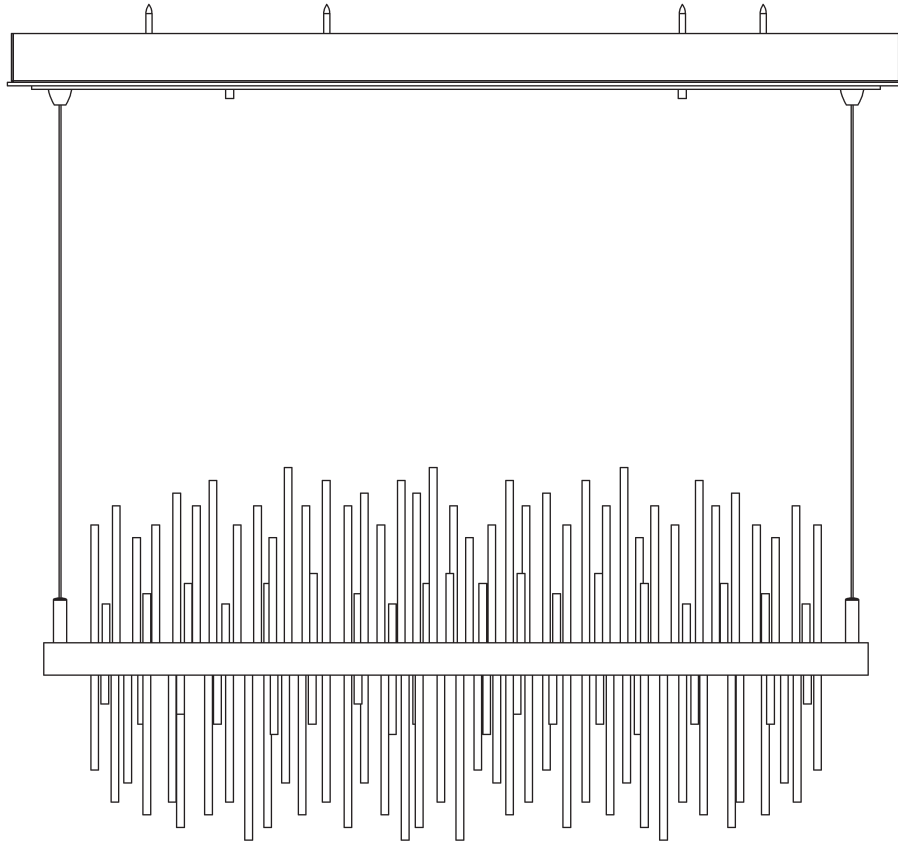


ASSEMBLY & INSTALLATION INSTRUCTIONS

Gossamer Pendant 139654

A651



Component Parts

- A Canopy**
- B Mounting Bracket**
- C #10 Wood Screws (8)**
- D Supply/Support Cable (4)**
- E Driver**
- F Cupped Washer**
- G #8 Nut**
- H Barrel Knobs (2)**
- I Standoff (2)**
- J Threaded Stud (2)**
- K Safety Cable**
- L Safety Cable Nut**
- M Fixture**
- N Gripper (4)**
- O Gripper Cover (4)**
- P Accent 1 (1)**
- Q Accent 2 (2)**



Gossamer Pendant 139654

CAUTION: FAILURE TO INSTALL THIS FIXTURE PROPERLY MAY RESULT IN SERIOUS PERSONAL INJURY OR DEATH AND PROPERTY DAMAGE. We recommend installation by a licensed electrician. This product must be installed in accordance with applicable installation code(s), by a person familiar with the construction and operation of the product and the hazards involved.*

Caution: Do not exceed maximum wattage noted on fixture. Use only recommended bulbs with fixture.

Please Note: After installation extra hardware and accessories are possible; our kits are used on multiple products.

To Install Fixture (Figures 1)

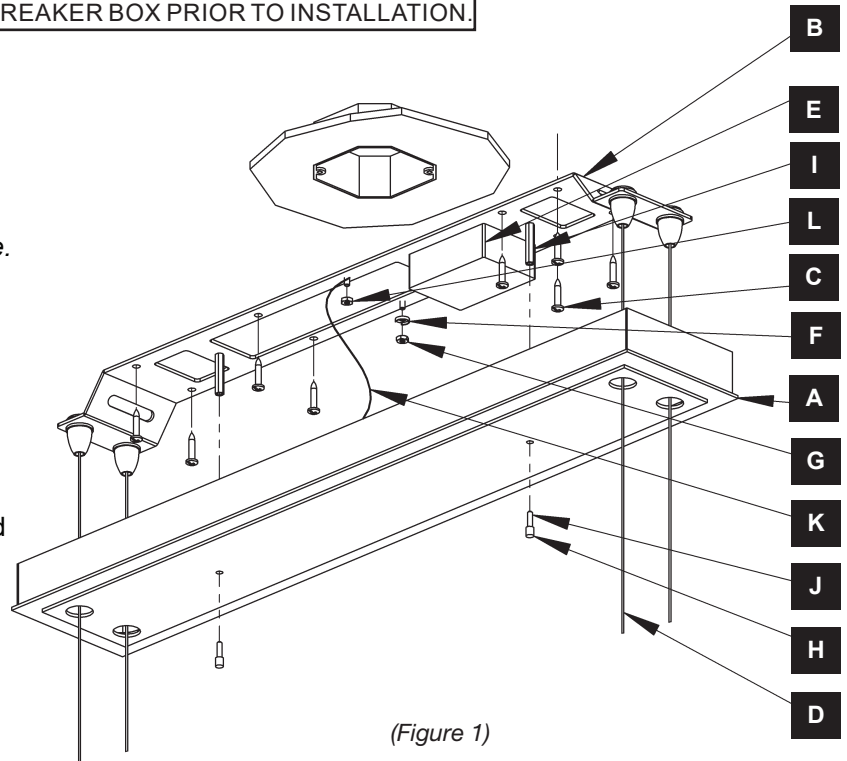
CAUTION: BE SURE POWER IS OFF AT THE MAIN BREAKER BOX PRIOR TO INSTALLATION.

1. Carefully unpack fixture (M) from carton.
2. Using #10 wood screws (C) attach mounting bracket (B) to a structural member in the ceiling, centering the bracket over the outlet box.

Note: Wood screws are supplied with your fixture. Different materials and/or construction methods may require different fasteners. If in doubt, contact a qualified electrician. Do not attach bracket directly to outlet box.

3. Slide support cables (D) through holes in canopy (A). Make sure to align (+) and (-) labels on canopy (A) with (+) and (-) labels on mounting bracket (B). Raise canopy (A) close to ceiling and attach safety cable (K) using safety cable nut (L) that is shipped on mounting bracket (B).

Note: Safety cable is used to temporarily suspend canopy while wiring connections are made.



(Figure 1)

4. Using suitable wire connectors (not provided) connect driver (E) wires to supply wires (white to white and black to black).
5. Using cupped washer (F) and #8 nut (G) that are attached to bracket (B), attach a pigtail lead to the bracket. Connect all ground wires together (bare copper or green to bare copper or green). Push wires back into outlet box.

CAUTION: MAKE SURE WIRE CONNECTORS ARE TWISTED ON SECURELY AND NO BARE WIRE IS EXPOSED.

6. Raise canopy (A) and push firmly to ceiling, making sure that no wires are pinched between canopy (A) and ceiling. Screw barrel knobs (H) with threaded studs (J) into standoffs (I) to secure canopy (A). (Barrel knobs (H) and threaded studs (J) ship attached)
7. Follow instructions on following page to assemble fixture.

Gossamer Pendant 139654

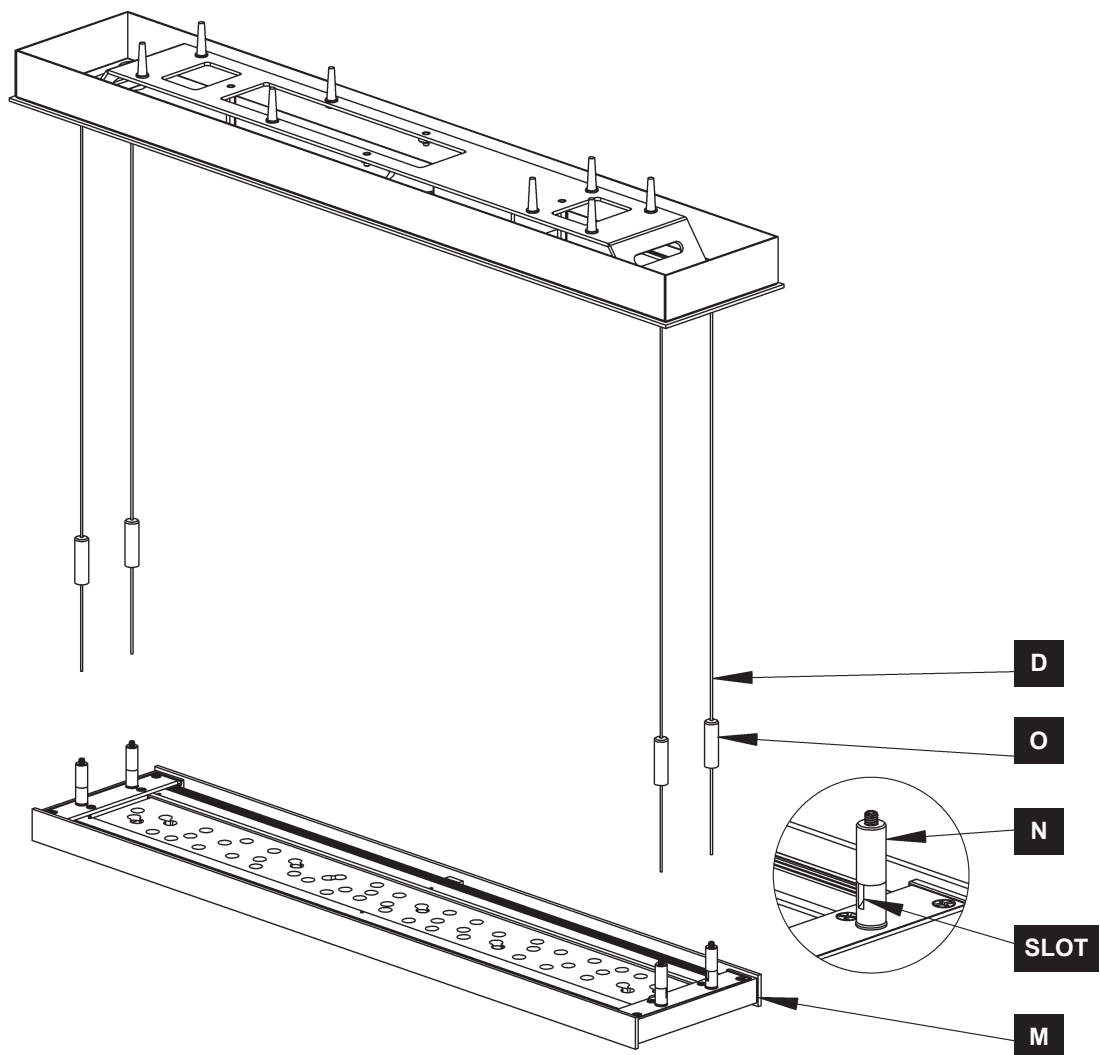
To Install Fixture (*continued*) (Figure 2)

1. Align end of fixture (M) that has (+) and (-) labels with canopy (A) with (+) and (-) labels attached.
2. Unscrew gripper cover (O) from gripper (N). Slide gripper cover (O) over supply/support cable (D) with the small hole first. Insert cable (D) into gripper (N) until cable sticks through slot on side of gripper (N).
3. Repeat with remaining cables (D).
4. Adjust height of fixture (M), making sure to keep fixture level, by pulling on supply/support cables (D).

Note: If fixture needs to be lowered, push down on top of gripper (N) to release cable.

Note: Excess cable will be cut after decorative assemblies are installed.

5. Follow instructions on next page to install decorative accents.



(Figure 2)

ASSEMBLY & INSTALLATION INSTRUCTIONS

A651

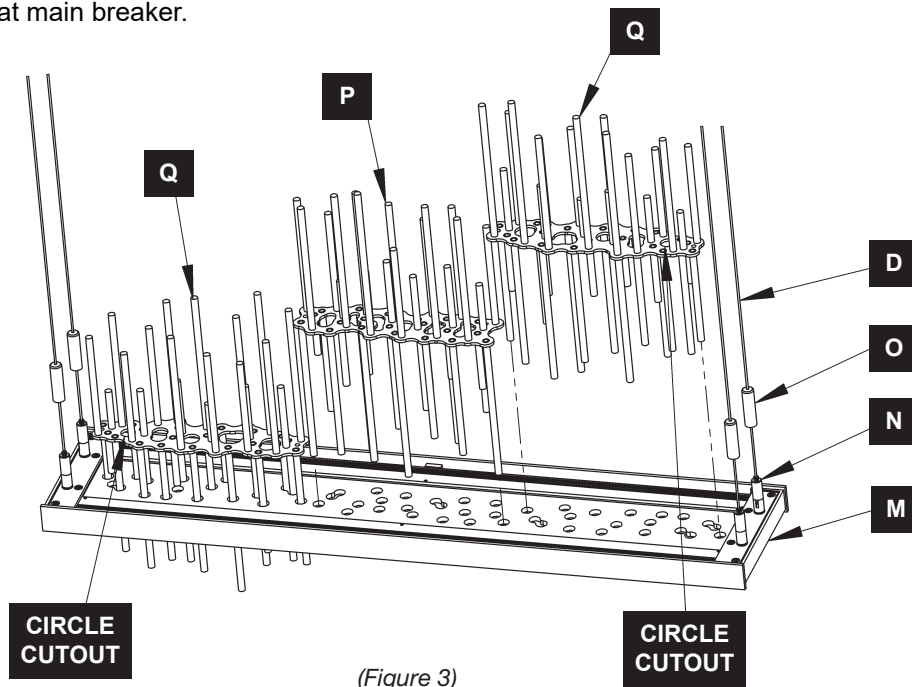
Gossamer Pendant 139654

To Install Accents (Figure 3,4)

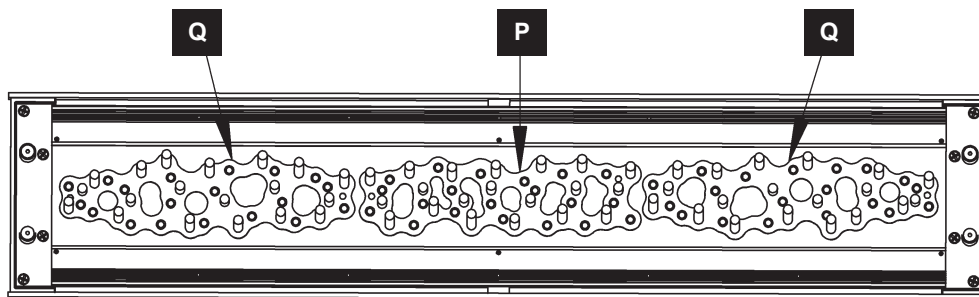
1. Locate accent pieces (P+Q), fixture (M) will use two accent 2 (Q) and one accent 1 (P).
2. Install accents onto fixture (M). Note the location of the circle cutout on accent 2 (Q) to help orientation.
3. Once desired height of fixture (M) with accents installed is achieved, cut off excess supply/ support cable (D) as close to slot in gripper (N) as possible.

CAUTION: ONCE EXCESS CABLE IS CUT, FIXTURE CANNOT BE LOWERED.

4. Slide gripper covers (O) over grippers (N) and thread until snug.
5. Restore electricity at main breaker.



(Figure 3)



(Figure 4)

If you need further assistance, or find that you are missing any parts, please contact the dealer from which you purchased this product. We hope you enjoy your fixture!

*** Hubbardton Forge will not be liable for injury or damage caused by improper installation, lamping or use of this fixture.**