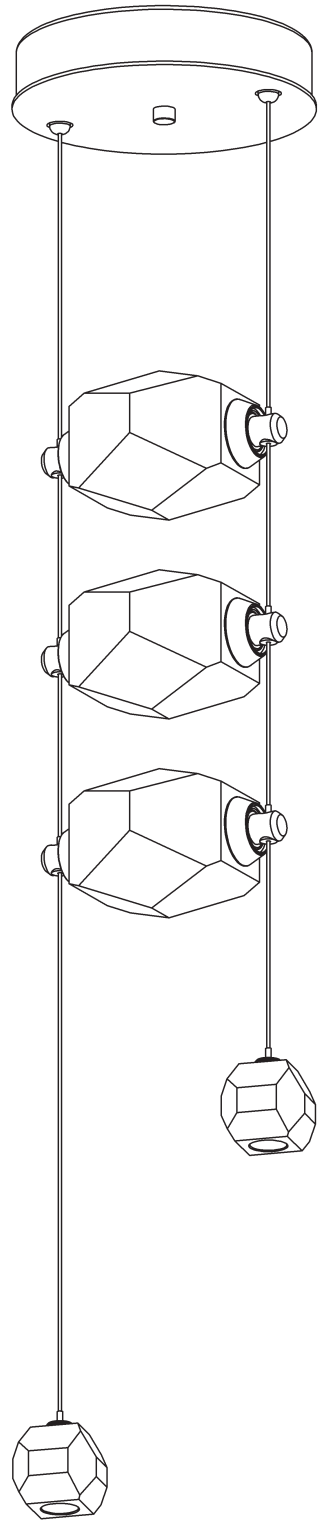


ASSEMBLY & INSTALLATION INSTRUCTIONS

A898

Gatsby 3 Light Pendant 139058



Component Parts

- A Canopy**
- B Canopy Cover Plate**
- C Cap**
- D Threaded Nipple**
- E Ground Screw**
- F Cupped Washer**
- G Gripper (2)**
- H Gripper Plate**
- I #8 Screws (2)**
- J Driver**
- K Standoff (2)**
- L Support/Supply Cable (2)**
- M Crystal (3)**
- N Crystal Gripper (6)**
- O Crystal Weight (2)**
- P Weight Gripper (2)**
- Q LED Module (3)**
- R Crystal Retainer (6)**
- S Crystal Module (3)**



ASSEMBLY & INSTALLATION INSTRUCTIONS

A898

Gatsby 3 Light Pendant 139058

CAUTION: FAILURE TO INSTALL THIS FIXTURE PROPERLY MAY RESULT IN SERIOUS PERSONAL INJURY OR DEATH AND PROPERTY DAMAGE. We recommend installation by a licensed electrician. This product must be installed in accordance with applicable installation code(s), by a person familiar with the construction and operation of the product and the hazards involved.*

Caution: Do not exceed maximum wattage noted on fixture. Use only recommended bulbs with fixture.

Please Note: After installation extra hardware and accessories are possible due to our kits are used on multiple products and options.

To Attach to Ceiling (Figure 1 - on following page)

CAUTION: BE SURE POWER IS OFF AT THE MAIN BREAKER BOX PRIOR TO INSTALLATION.

1. Carefully unpack the fixture from the carton.
2. Locate canopy assembly. Remove cap (C) and canopy cover plate (B). Set aside for later use.
3. Remove (2) #8 screws (I) and gripper plate (H) from canopy (A).

NOTE: POSITION THE CANOPY SO THAT THE GRIPPERS ARE IN LINE WITH THE DESIRED DIRECTION OF YOUR FIXTURE.

4. Thread the wires from the electrical box through the center hole in the canopy (A) while moving the canopy into position. Using two machine screws (not provided), fasten the canopy to the electric box using oval slots in center.

NOTE: A NEW ELECTRIC BOX COMES WITH SCREWS. WHEN REPLACING A FIXTURE, RETAIN THE EXISTING SCREWS FOR USE WITH THE NEW FIXTURE.

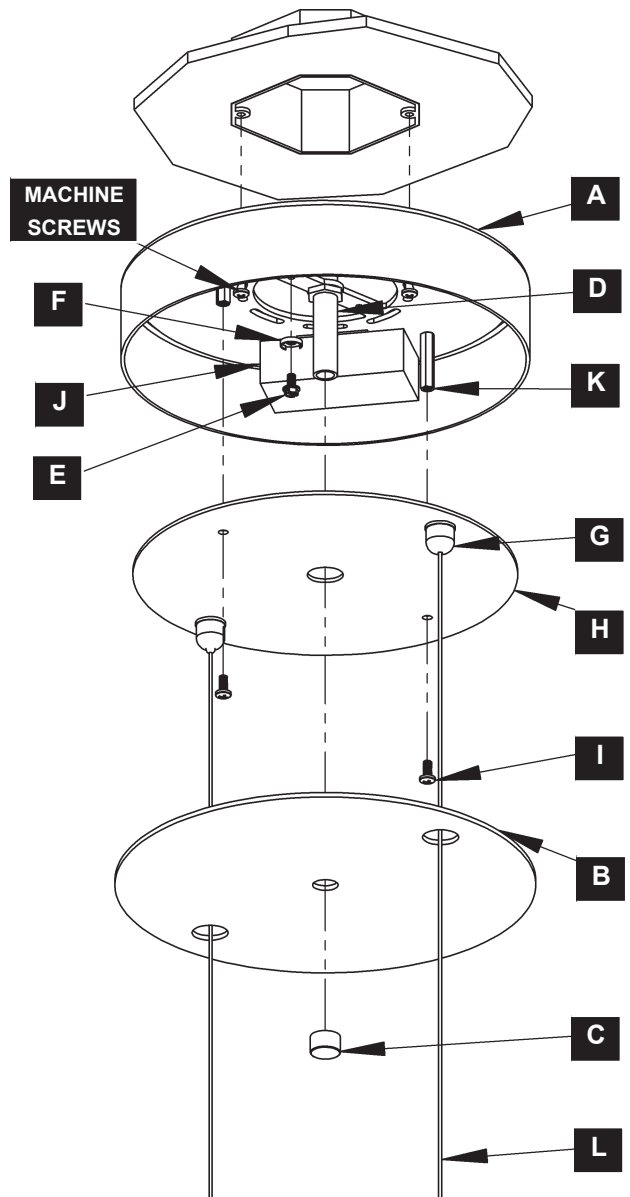
5. Attach a pigtail lead to the canopy (A) using the provided ground screw (E) and cupped washer (F), found in kit bag.
6. Using suitable wire connectors (not provided) connect driver (J) wires to supply wires (white to white and black to black). Connect all ground wires (bare copper or green to bare copper or green) together.

CAUTION: MAKE SURE WIRE CONNECTORS ARE TWISTED ON SECURELY AND NO BARE WIRE IS EXPOSED.

7. Re-install gripper plate (H) by installing (2) #8 screws (I) into standoffs (K) in canopy (A).
8. Align (+) and (-) labels on canopy cover plate (B) with (+) and (-) labels on canopy (A).
9. Slip canopy cover plate (B) over threaded nipple (D) and up against canopy (A). Secure with cap (C).

CAUTION: BE SURE NO WIRES ARE PINCHED BETWEEN THE CANOPY (A) AND THE COVER PLATE (B).

10. Follow instructions on following page to assemble crystal module.



(Figure 1)

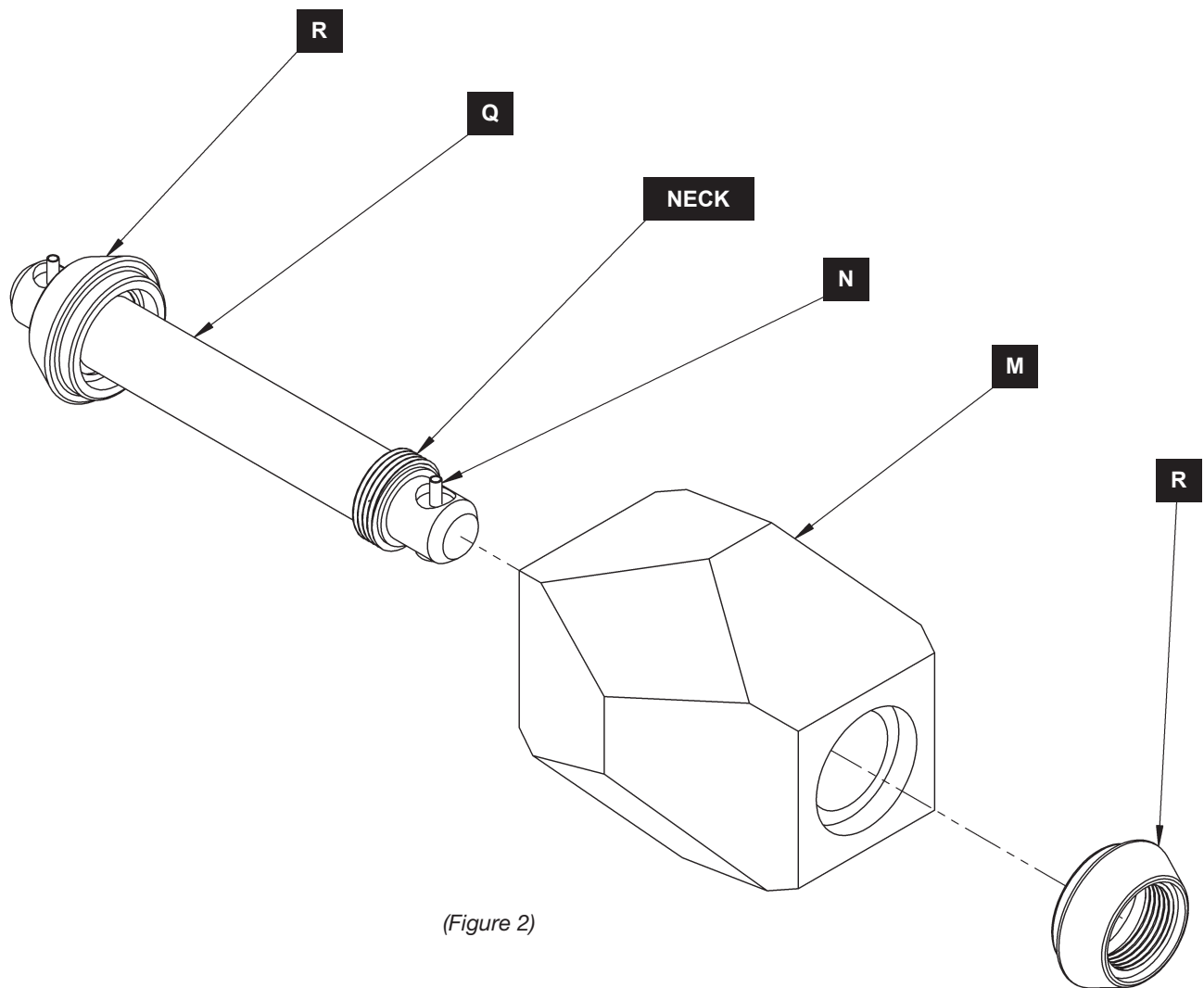
Gatsby 3 Light Pendant 139058

To Assemble Crystal Module *(Figure 2)*

1. Carefully unpack LED Module (Q) and crystal (M).
2. Crystal retainers (R) are shipped installed on LED module (Q) remove one and set aside for use in the following steps.
3. Carefully slide LED module (Q) through crystal (M) until installed crystal retainer (R) is fully seated in crystal (M). Secure LED module (Q) by threading the second crystal retainer (R) onto neck.

NOTE: IT MAY BE NECESSARY TO PUSH IN PLUNGER ON CRYSTAL GRIPPER (N) TO ALLOW RETAINER TO START THREADING ONTO NECK.

4. Repeat for remaining crystals (M) and LED modules (Q).
5. Follow instructions on following page to finish install.



(Figure 2)

Gatsby 3 Light Pendant 139058

Install Crystal Modules & Weights *(Figure 3 - on following page)*

1. One crystal gripper (N) on each crystal module (S) will be marked with a (+) label.
2. The canopy (A) is marked over the cables (L) with (+) and (-) labels. Align crystal gripper (N) with the (+) label on a (+) cable.
3. Slide crystal module (S), plunger end first, up appropriate cables (L). Repeat with remaining crystal modules (S) and locate in desired orientation.

Note: Be sure (+) crystal grippers are on a (+) cable.

4. If crystal module (S) needs to be lowered, push in on the plunger to release cable, hold in, and move crystal module (S) to desired location.
5. Install crystal weights (O) onto ends of cable (L) by pushing plunger end of weight gripper (P) onto cable to desired location.
6. Cut cables (L) to desired heights, as close to bottom of crystal weight as possible.
7. Lower crystal weight (O) by pushing in on the plunger to release cable, hold in, and move crystal weight (O) down until end of cable (L) is hidden inside.
8. Repeat for remaining crystal weight (O).
9. Restore electricity at main breaker.

IMPORTANT NOTES:

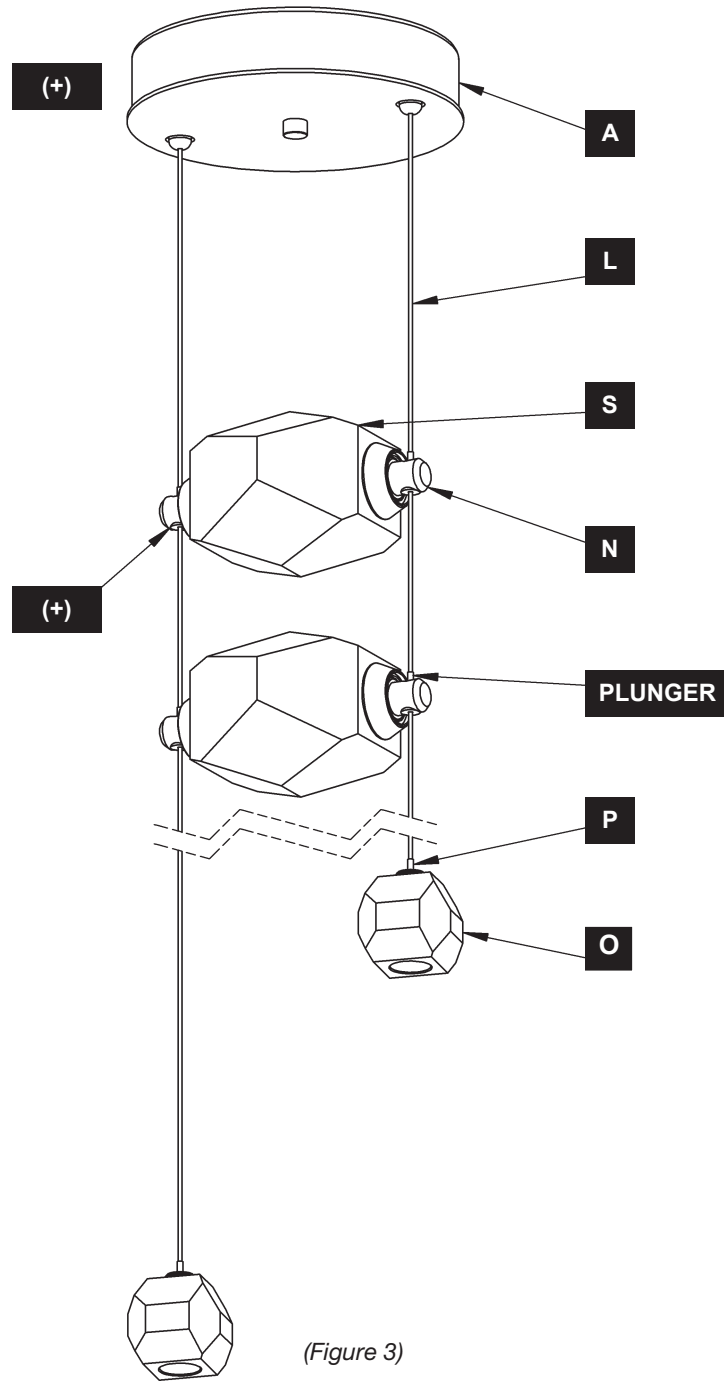
- Additional crystal modules can be ordered individually. Contact the dealer from which you purchased this product for more information.
- Due to electrical components included with this fixture, the maximum number of crystal modules allowed is (5).
- If more than (5) crystal modules are desired, please contact dealer about a custom fixture.



ASSEMBLY & INSTALLATION INSTRUCTIONS

A898

Gatsby 3 Light Pendant 139058



(Figure 3)

If you need further assistance, or find that you are missing any parts, please contact the dealer from which you purchased this product. We hope you enjoy your fixture!

*** Hubbardton Forge will not be liable for injury or damage caused by improper installation, lamping or use of this fixture.**