

Installation Instructions

B56

Bracket Mounted Gallery Sconces

CAUTION: FAILURE TO INSTALL THIS FIXTURE PROPERLY MAY RESULT IN SERIOUS PERSONAL INJURY OR DEATH AND PROPERTY DAMAGE. We recommend installation by a licensed electrician.

This product must be installed in accordance with applicable installation code(s), by a person familiar with the construction and operation of the product and the hazards involved.*

Caution: Do not exceed maximum wattage noted on fixture. Use only recommended bulbs with fixture.

For fixtures requiring assembly, please refer to assembly instructions before installation.

Please Note: This fixture is designed to be mounted on a standard wall surface and may not be suitable for all applications. If installing in a non-wood frame application, we recommend consulting a qualified builder or electrician.

Component Parts

A	Anchors (6)	D	#10 Screws (6)	G	#8 x 1" Long Screws (4)
B	Wall Mounting Bracket	E	Standoff (4)		
C	Ground	F	Fixture Can Assembly		

To Install

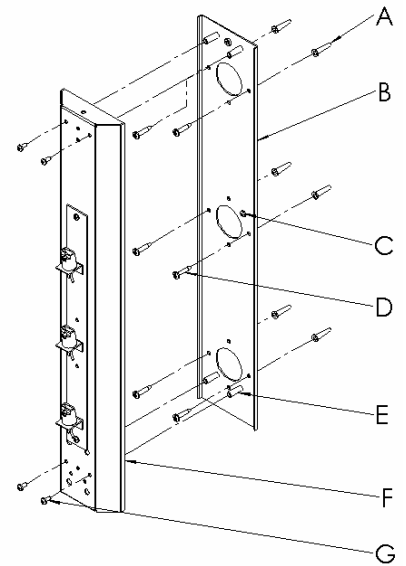
Caution: Be sure power is off at the main breaker box prior to installation.

1. Carefully unpack the fixture from the carton.
2. Place the wall mounting bracket (B) over the electrical box using one of three holes provided being sure to hold it plum and level. With a pencil, mark the location of all mounting holes in the wall mount bracket on the wall behind.
IMPORTANT: Wall mounting bracket must be secured to a solidly mounted electrical box and/or a framing member in at least two locations. Do not depend on drywall anchors alone to support this fixture. If in doubt, contact a qualified electrician.
Set aside the wall mounting bracket and drill 1/4" holes in the locations marked on the wall. For holes using anchors, place the tapered end of the anchors (A) into the holes and gently tap them flush to the wall using a light weight hammer.
3. Thread the wires in the electrical box through the hole in the wall mounting bracket (B) while moving the bracket into position. Using the 1" #10 screws (D), screw the bracket securely to the wall. Be careful not to over-tighten or strip the anchors.

4. Hold the fixture can assembly (F) close to the wall mounting bracket (B) and using suitable wire connectors (not provided), connect fixture wires to supply wires (white to white, black to black, and bare copper or green to bare copper or green). Ground the mounting bracket using the ground (C) mounted to the wall mounting bracket (B).

Caution: Make sure wire connectors are twisted on securely, and no bare wires are exposed.

5. Carefully tuck all wires behind the fixture can assembly (F) and inside the wall mounting bracket (B) and place the fixture over the bracket so the holes in the top and bottom match the threaded standoffs (E) protruding from the wall mounting bracket (B). Secure the fixture by threading the #8 black screws (G) through the holes in the fixture can assembly (F) and into the wall mounting bracket (B).
6. Refer to glass and front mounting instructions for complete installation.



If you need further assistance, or find that you are missing any parts, please contact the dealer from which you purchased this product. We hope you enjoy your fixture!

* Hubbardton Forge will not be liable for injury or damage caused by improper installation, lamping or use of this fixture.