

CAUTION: FAILURE TO INSTALL THIS FIXTURE PROPERLY MAY RESULT IN SERIOUS PERSONAL INJURY OR DEATH AND PROPERTY DAMAGE. We recommend installation by a licensed electrician.

This product must be installed in accordance with applicable installation code(s), by a person familiar with the construction and operation of the product and the hazards involved.*

Caution: Do not exceed maximum wattage noted on fixture. Use only recommended bulbs with fixture.

Please Note: This fixture is designed to be mounted on a standard wall surface and may not be suitable for all applications. If installing in a non-wood frame application, we recommend consulting a qualified builder or electrician.

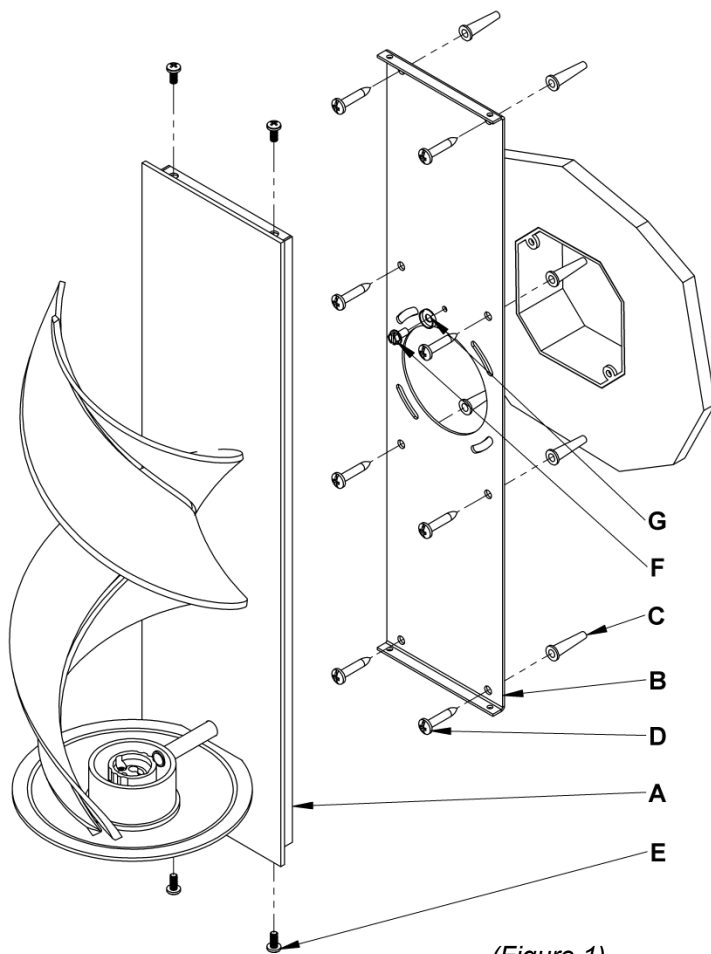
To Mount Fixture to Wall (Figure 1)

Component Parts

- A Fixture Assembly
- B Mounting Bracket
- C Anchors (4)
- D #10 Screws (4)
- E #8 Screws (4)
- F Ground Screw
- G Cupped Washer

Caution: Be sure power is off at the main breaker box prior to installation.

1. Carefully unpack the fixture from the carton.
2. Center the mounting bracket (B) over the electrical box being sure to hold it plumb and level. With a pencil, mark the location of all mounting holes in the mounting bracket on the wall behind.
3. Put the mounting bracket (B) down and drill 1/4" holes in the locations marked on the wall. For holes using anchors (C), place the tapered end of the anchors (C) into the holes and gently tap them flush to the wall using a light weight hammer.
4. Thread the wires in the electrical box through the center hole in the mounting bracket (B) while moving the bracket into position. Using the #10 screws (D), screw the bracket securely to the wall. Be careful not to over-tighten or strip the anchors.
5. Hold the fixture assembly (A) close to the mounting bracket and using suitable wire connectors (not provided), connect fixture wires to supply wires(white to white and white to black). Run a pigtail lead from the crossbar ground screw (F) and cupped washer (G) to the electrical box and connect all ground wires (bare copper or green to bare copper or green).
Caution: Make sure wire connectors are twisted on securely, and no bare wires are exposed.
6. Carefully tuck all wires behind the fixture assembly (A) and inside the mounting bracket (B). Place the fixture firmly onto mounting bracket (B) and fasten with #8 screws (E) on top and bottom.



(Figure 1)

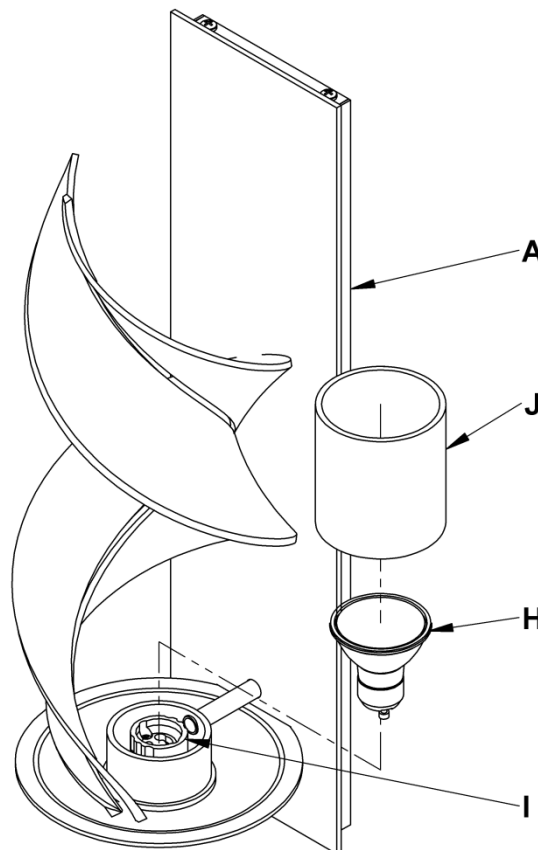
(continued)

To Complete Installation (Figure 2)

Component Parts

- A Fixture Assembly
- H Bulb (not provided)
- I Socket
- J Cover Tube

1. Install bulb (H) (not provided) into socket (I).
2. Slide cover tube (J) down over bulb (H) until it rest on the fixture assembly (A). The slot in the cover tube (J) needs to line up over the pipe on the fixture (A).
3. Restore electricity at main breaker.



If you need further assistance, or find that you are missing any parts, please contact the dealer from which you purchased this product. We hope you enjoy your fixture!

* Hubbardton Forge will not be liable for injury or damage caused by improper installation, lamping or use of this fixture.