

Assembly & Installation Instructions

A106

For Semi-Flush Models 126498 & 126501

Page 1 of 3

CAUTION: FAILURE TO INSTALL THIS FIXTURE PROPERLY MAY RESULT IN SERIOUS PERSONAL INJURY OR DEATH AND PROPERTY DAMAGE. We recommend installation by a licensed electrician. This product must be installed in accordance with applicable installation code(s), by a person familiar with the construction and operation of the product and the hazards involved.*

Caution: Do not exceed maximum wattage noted on fixture. Use only recommended bulbs with fixture.

To Install Fixture (Figure 1)

Component Parts

- A Ground Screw
- B Cross Bar
- C Threaded Stud (3)
- D Canopy
- E Barrel Knobs (3)

CAUTION: BE SURE POWER IS OFF AT THE MAIN BREAKER BOX PRIOR TO INSTALLATION.

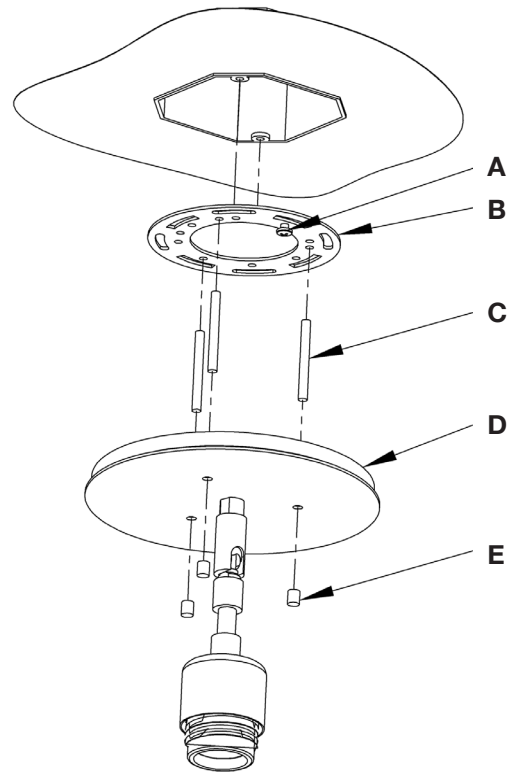
1. Carefully unpack the fixture from the carton.
2. Thread studs (C) through appropriate holes in cross bar (B) to match hole centers in canopy (D). Move ground screw (A) to another available threaded hole if necessary.
3. Using two machine screws (not provided) fasten cross bar (B) to the electric box using outer oval holes to orient fixture to desired hanging position.

Important: A new electric box comes with screws. When replacing an existing fixture, retain the screws for use with the new fixture.

4. Using suitable wire connectors (not provided); connect fixture wires to supply wires (white to white and black to black). Connect all ground wires to green ground screw (A).

CAUTION: MAKE SURE WIRE CONNECTORS ARE TWISTED ON SECURELY, AND NO BARE WIRE IS EXPOSED.

5. Slide fixture canopy (D) over threaded studs and push firmly to ceiling, making sure that no wires are pinched between fixture canopy and ceiling. Fasten with barrel knobs (E). Be sure studs (C) are fully seated in barrel knobs (E).
6. Restore electricity at main breaker.



(Figure 1)

(Continued)

If you need further assistance, or find that you are missing any parts, please contact the dealer from which you purchased this product. We hope you enjoy your fixture!

* Hubbardton Forge will not be liable for injury or damage caused by improper installation, lamping or use of this fixture.

Assembly & Installation Instructions

A106

For Semi-Flush Models 126498 & 126501

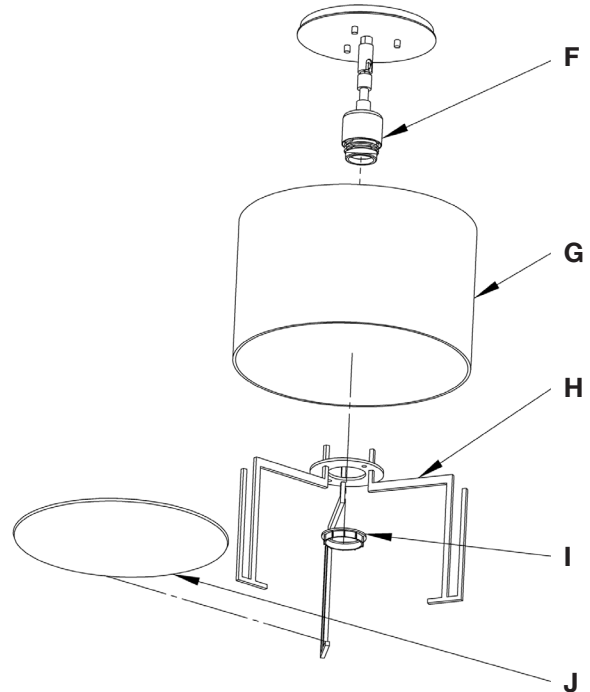
Page 2 of 3

To Install Shade and Glass for 12-6498 (Figure 2)

Component Parts

- F Socket Assembly
- G Shade
- H Spider Assembly
- I Retaining Ring
- J Diffuser

1. Place Shade (G) into notches of spider assembly (H).
2. Lift shade (G) and spider assembly (H) over socket assembly (F) until it stops.
3. Thread retaining ring (I) on socket until snug against spider assembly (H).
4. Slip Glass Diffuser (J), curved side up, at an angle into spider assembly (H) and rotate to rest on the arms. It may be necessary to flex on support arm slightly to install diffuser. See Figure 2A for correct orientation of diffuser.



(Figure 2)

To Install Shade and Glass for 12-6501 (Figure 3)

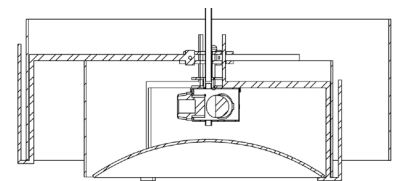
Component Parts

- | | |
|-------------------------|-------------------------|
| K Socket Assembly | O Glass Diffuser |
| L Inner Shade | P Outer Spider Assembly |
| M Inner Spider Assembly | Q Outer Shade |
| N Retaining Ring | R Thumb Screw (2) |

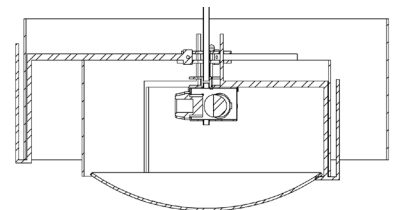
1. Place inner shade (L) into notches of inner spider assembly (M).
2. Lower outer spider assembly (P) until it rests on top of inner shade (L).
3. Align holes in inner spider assembly (M) and outer spider assembly (P).

Note: Spider arms should be in six equal spaces. If arms are aligned over top of each other turn outer spider 180 degrees to align.

4. Install thumb screws (R) to attach inner spider assembly to outer spider assembly.
5. Lower outer shade (Q) until it rests in the brackets of the outer spider assembly (P).
6. Lift the assembled shade and spider assemblies over the socket assembly (K) until it stops.



DIFFUSER INSTALLED CORRECTLY



DIFFUSER INSTALLED INCORRECTLY

(Figure 2A)

If you need further assistance, or find that you are missing any parts, please contact the dealer from which you purchased this product. We hope you enjoy your fixture!

*Hubbardton Forge will not be liable for injury or damage caused by improper installation, lamping or use of this fixture.

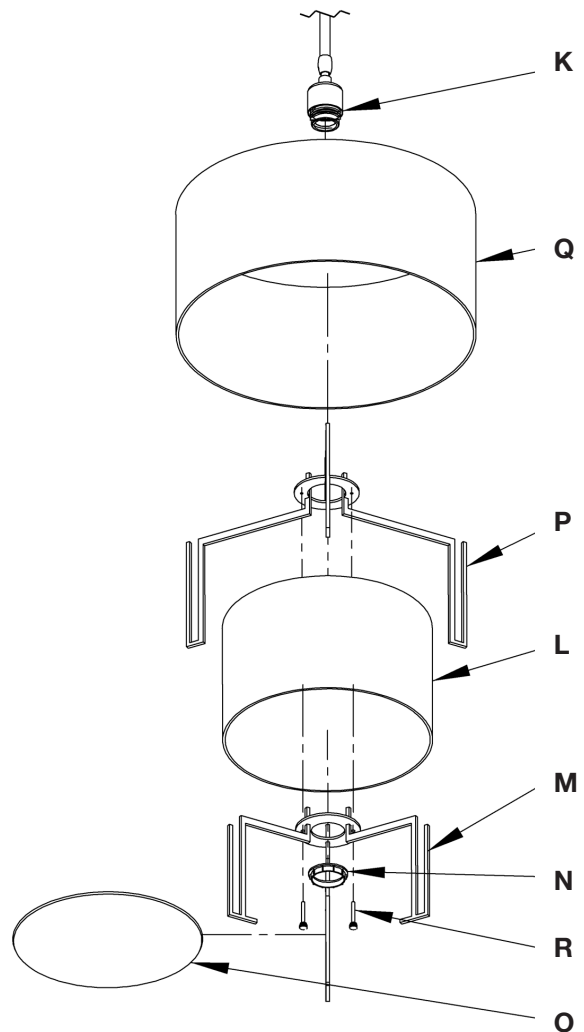
Assembly & Installation Instructions

A106

For Semi-Flush Models 126498 & 126501

Page 3 of 3

7. Thread retaining ring (N) on socket until snug against inner spider assembly (M).
8. Slip Glass Diffuser (O) curved side up at an angle into inner spider assembly (M) and rotate to rest on the arms. It may be necessary to flex on support arm slightly to install dif fuser. See Figure 2A for correct orientation of diffuser.
9. Restore electricity at main breaker box.



(Figure 3)

If you need further assistance, or find that you are missing any parts, please contact the dealer from which you purchased this product. We hope you enjoy your fixture!

*** Hubbardton Forge will not be liable for injury or damage caused by improper installation, lamping or use of this fixture.**