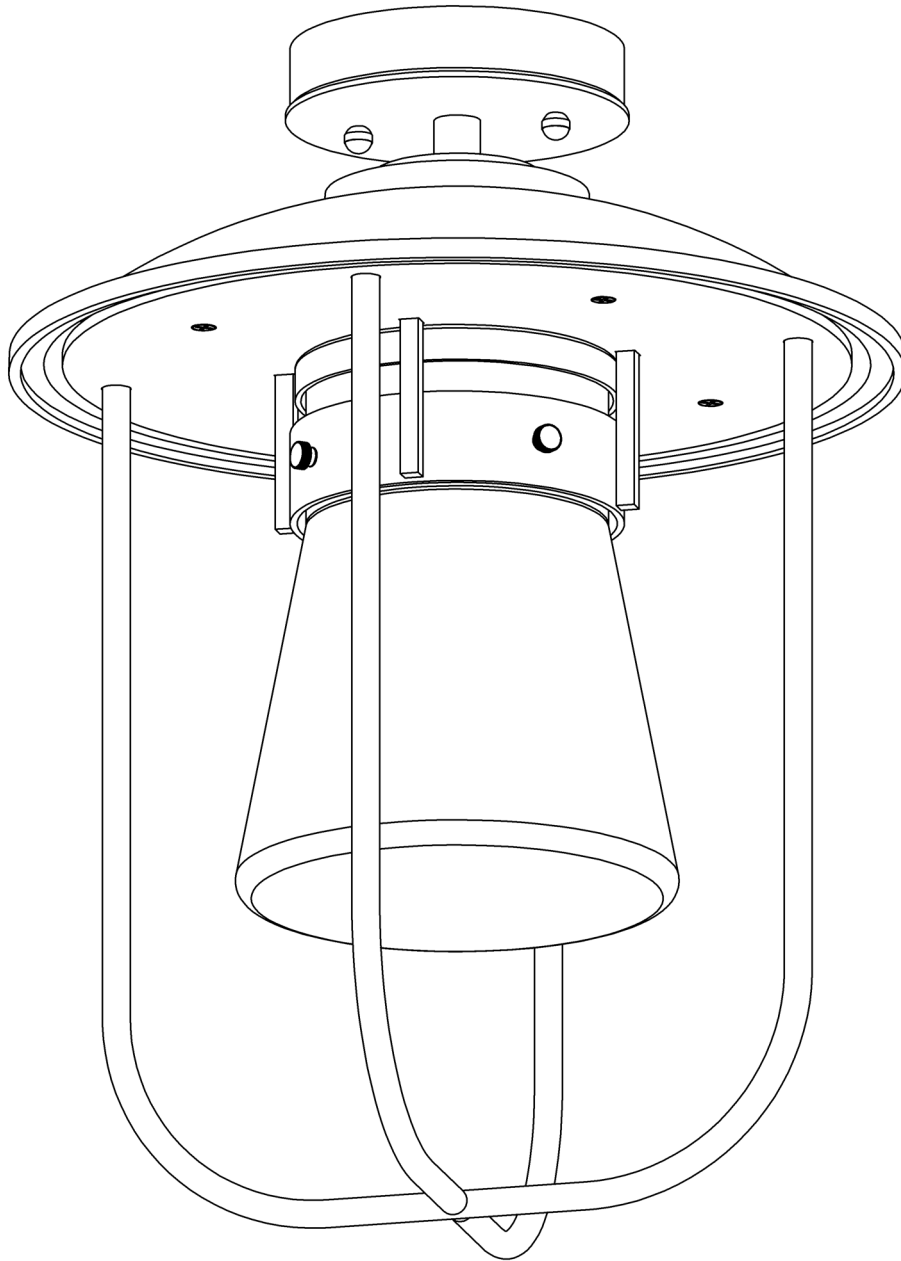


ASSEMBLY & INSTALLATION INSTRUCTIONS

Erlenmeyer Outdoor Semi-Flush 356015

A572



Component Parts

- A Crossbar**
- B Threaded Studs (2)**
- C Ground Screw**
- D Canopy**
- E Knurled Balls (2)**
- F Fixture**
- G Socket**
- H Glass**
- I Ring**
- J Thumb Screws (4)**



ASSEMBLY & INSTALLATION INSTRUCTIONS

A572

Erlenmeyer Outdoor Semi-Flush 356015

CAUTION: FAILURE TO INSTALL THIS FIXTURE PROPERLY MAY RESULT IN SERIOUS PERSONAL INJURY OR DEATH AND PROPERTY DAMAGE. We recommend installation by a licensed electrician. This product must be installed in accordance with applicable installation code(s), by a person familiar with the construction and operation of the product and the hazards involved.*

Caution: Do not exceed maximum wattage noted on fixture. Use only recommended bulbs with fixture.

Please Note: After installation, extra hardware and accessories are possible; our kits are used on multiple products.

To Install Fixture (Figure 1)

CAUTION: BE SURE POWER IS OFF AT THE MAIN BREAKER BOX PRIOR TO INSTALLATION.

1. Locate crossbar (A). Thread threaded studs (B) into appropriate locations that align with the holes in the canopy (D). Threaded studs should be threaded into the same side of the crossbar as the ground screw (C).

2. Using two machine screws (not provided), fasten the crossbar (A) to the electrical box with threaded studs (B) pointing downward.

Note: A new electric box comes with screws. When replacing a fixture, retain the existing screws for use with the new fixture.

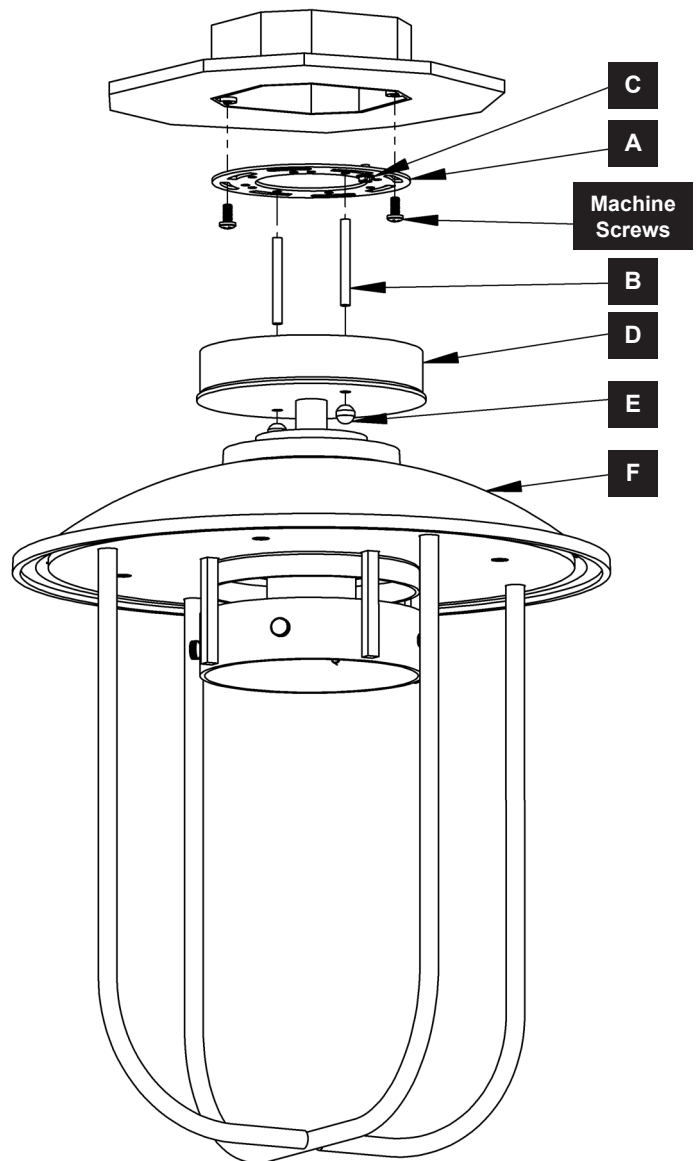
3. Attach a pigtail lead to the ground screw (C). Hold fixture (F) close to ceiling. Using suitable wire connectors (not provided) connect wires to supply wires (white to white and black to black). Connect all ground wires (bare copper or green to bare copper or green).

CAUTION: BE SURE WIRE CONNECTORS ARE TWISTED ON SECURELY AND NO BARE WIRE IS EXPOSED.

4. Slide canopy (D) over threaded studs (B) and push firmly to ceiling. Fasten with knurled balls (E). Be sure studs are fully seated in the knurled balls.

CAUTION: BE SURE NO WIRES ARE PINCHED BETWEEN THE CANOPY AND THE CEILING.

5. Follow steps on next page to install glass.



(Figure 1)

Erlenmeyer Outdoor Semi-Flush 356015

To Install Glass (Figure 2)

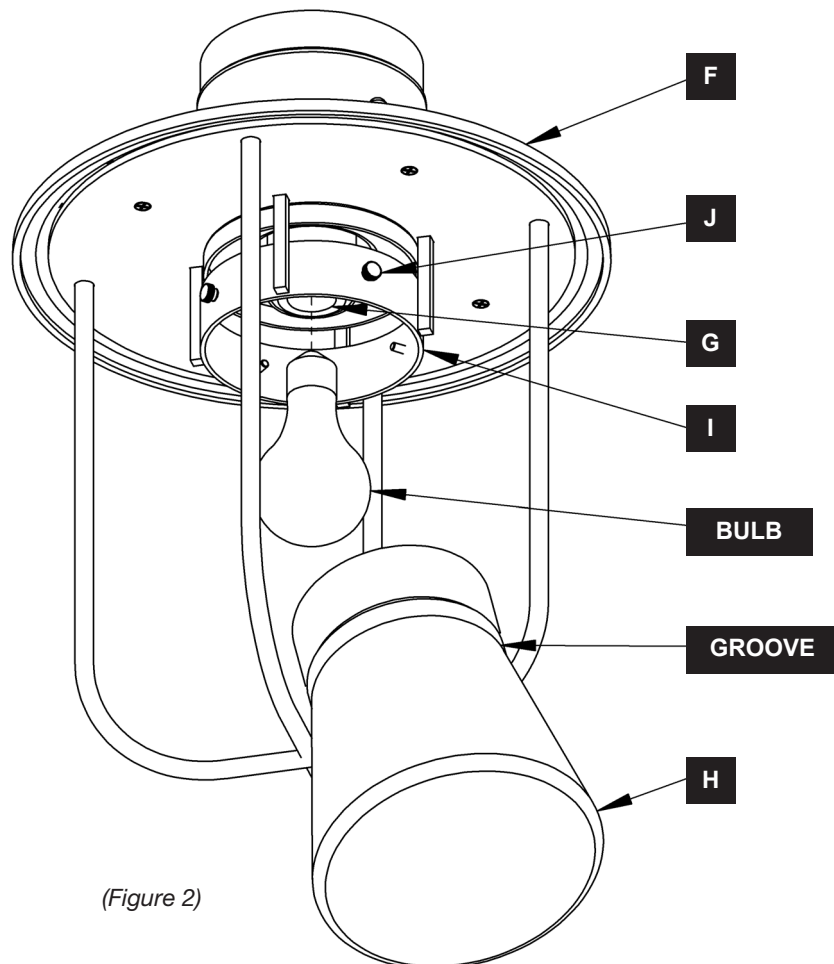
1. Unpack glass (H).
2. Install bulb (not included) into socket (G).
3. Tilt glass (H), slip through bars on fixture (F), over bulb and up into ring (I).
4. Align groove in glass (H) with thumb screws (J) in ring (I).

Note: It may be necessary to unthread thumb screws to allow glass to slide into ring. Thumb screws will not need to be completely removed.

5. Tighten thumb screws (J) evenly into groove to secure glass in fixture.

Note: Be sure not to overtighten as this could break glass.

6. Restore electricity at main breaker.



(Figure 2)

If you need further assistance, or find that you are missing any parts, please contact the dealer from which you purchased this product. We hope you enjoy your fixture!

*** Hubbardton Forge will not be liable for injury or damage caused by improper installation, lamping or use of this fixture.**